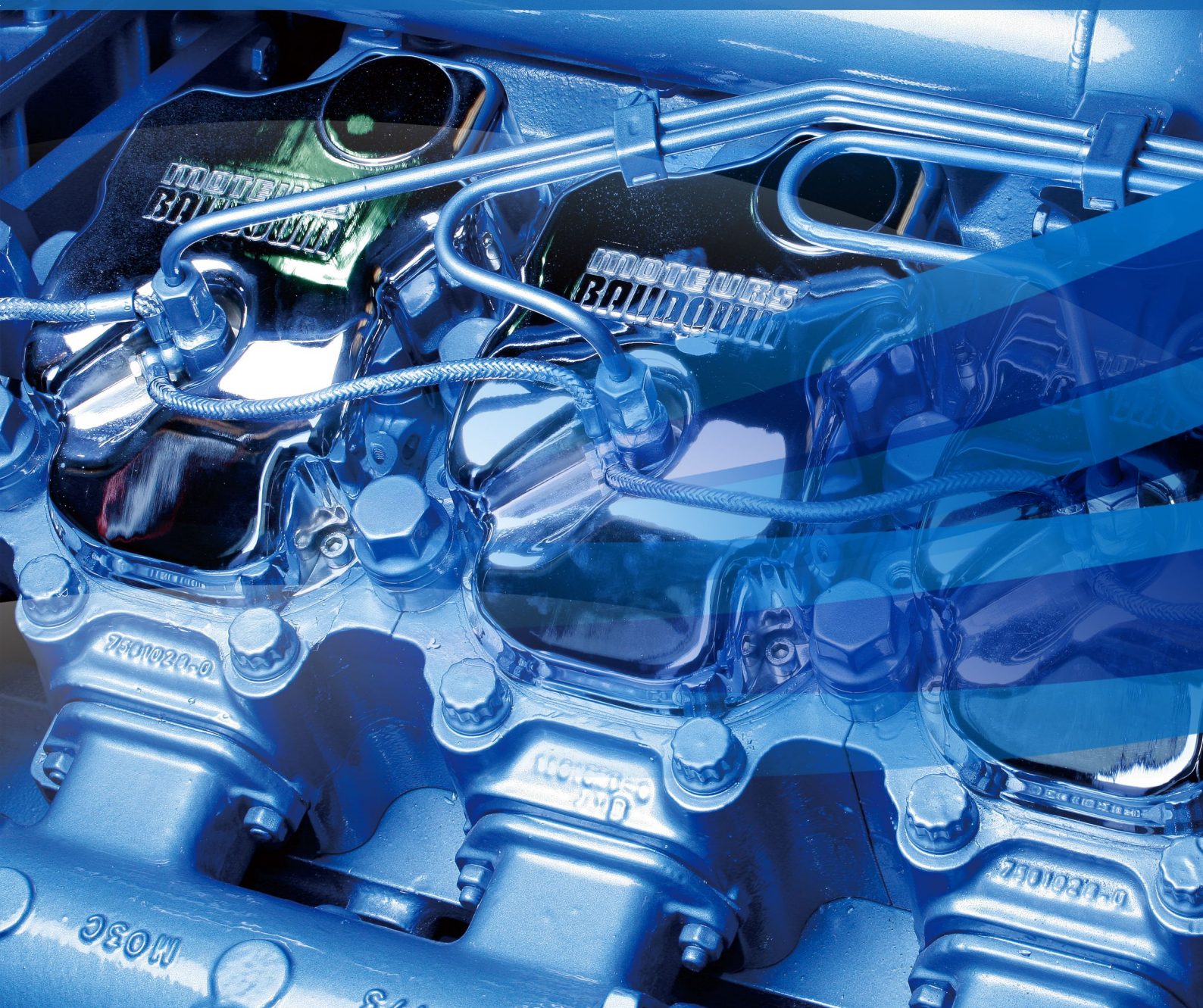


12M33 BAUDOQUIN DIESEL PARTS CATALOGUE



PREFACE

This illustrated parts manual is specially prepared for customers to facilitate the use of 12M33 series diesel engine in operation and tenance.

The illustrations are grouped under the heading of each assembly and numbered individually.Part.

No.,Quantity,Model,English designation,Chinese designation and so on are written in the parts list .
The parts catalogue include detailed assembling parts list of diesel engine ,some parts can not be sold ,if you want to know selling part matters,please ask weichai power spare part resource CO.,LTD.

With the development of technology and production,the versions of the diesel engine will be increased, so the catalogue will be revised.Please pay attention to our revised edition.After service of this product is authorized to Weichai Power Co.,Ltd ,Consumers can acquire information of this product through www.weichai.com.

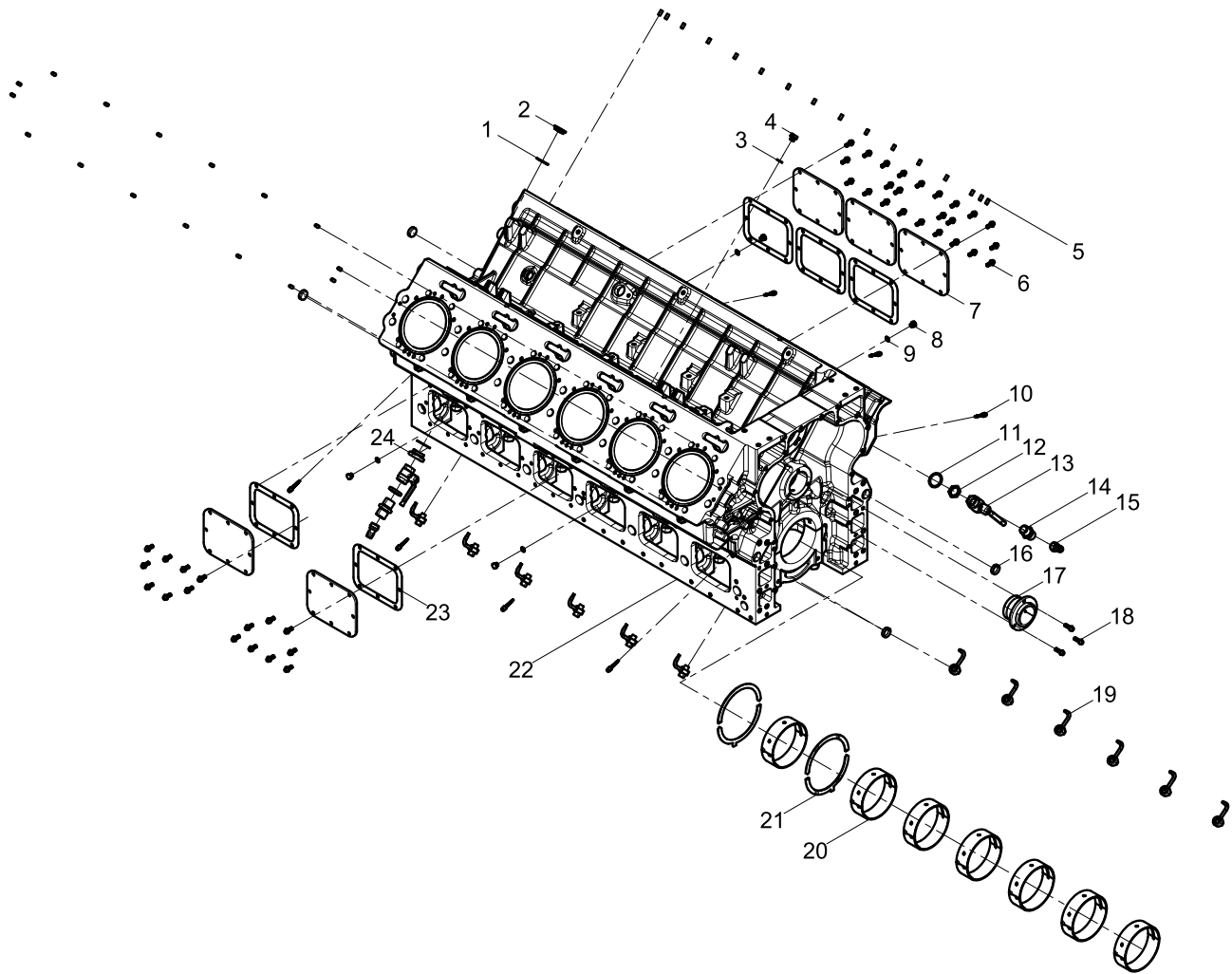
CONTENTS

Engine Block Group	1
crankcase pre-assembly	3
Main Bearing Set.....	5
Thrust Plate Set	7
Flywheel Housing Group.....	9
Front cover group	11
Crankshaft Group.....	13
Crankshaft Assembly	15
Flywheel Group	17
Flywheel Assembly	19
Piston and Connecting Rod Group	21
Connecting Rod Assembly	23
Cylinder Head Group	25
Cylinder Head Subassembly	27
Cylinder Head Cover Group.....	29
Cylinder Head Cover	31
Cylinder head oil pipe group	33
Valve Train Group	35
Camshaft Assembly.....	37
Valve Bridge Set.....	39
Rocker Arm Shaft Set.....	41
Intake Rocker Arm Assembly	43
Intake Rocker Arm Set	45
Exhaust Rocker Arm Assembly	47
Exhaust Rocker Arm Set	49
Crankshaft Pulley Group.....	51
Oil Pan Group	53
Oil filling pipe set.....	55
Oil Pump Group.....	57
Hand Oil Pump Group	59
Oil Filter Group	61

Emergency Water Valve Set	65
Oil Cooler Assembly	67
Oil Cooler Assembly	69
Emergency Water Valve Set	71
Rotating Centrifugal Lubricating Oil Filter group	73
Rotating Centrifugal Lubricating Oil Filter assembly	75
Oil-gas Separator Group	77
Water Pump Group	79
Water Draining Valve	81
Water Outlet Pipe Group	83
Left thermostat group.....	85
Thermostat Assembly	87
Right thermostat group	89
Thermostat Assembly	91
Fuel Injection Pump Group	93
Fuel Injection Pump Drive shaft group	95
Connecting Plate.....	97
Fuel Injection Pump Oil Pipe Group	99
Electronic Governor Group	101
Fuel Supply Pump Group	103
Fuel supply driving gear group	105
Fuel Injector Group.....	107
Injector Return Pipe Group.....	109
Low Pressure Fuel Pipe Group.....	111
Fuel Filter Group	115
High Pressure Fuel Pipe Group.....	117
Intake Manifold Group	119
Turbocharger Group	121
Turbocharger Oil Pipe Group	123
Compressor Pipe Group.....	125
Air Filter Group.....	127

Air Filter	129
Exhaust Manifold Group	131
Connection syphon group.....	133
Expansion Joint	135
Shut-down Device Group	137
Auxiliary Starting Device Oc.....	139
Starter Motor Group	141
Engine Bracket Group.....	143
Packing Box Chassis Parts Group.....	145
Separate Delivery Parts Group Attached to Engine.....	147
Alternator Group	149
Parts Box Group	151

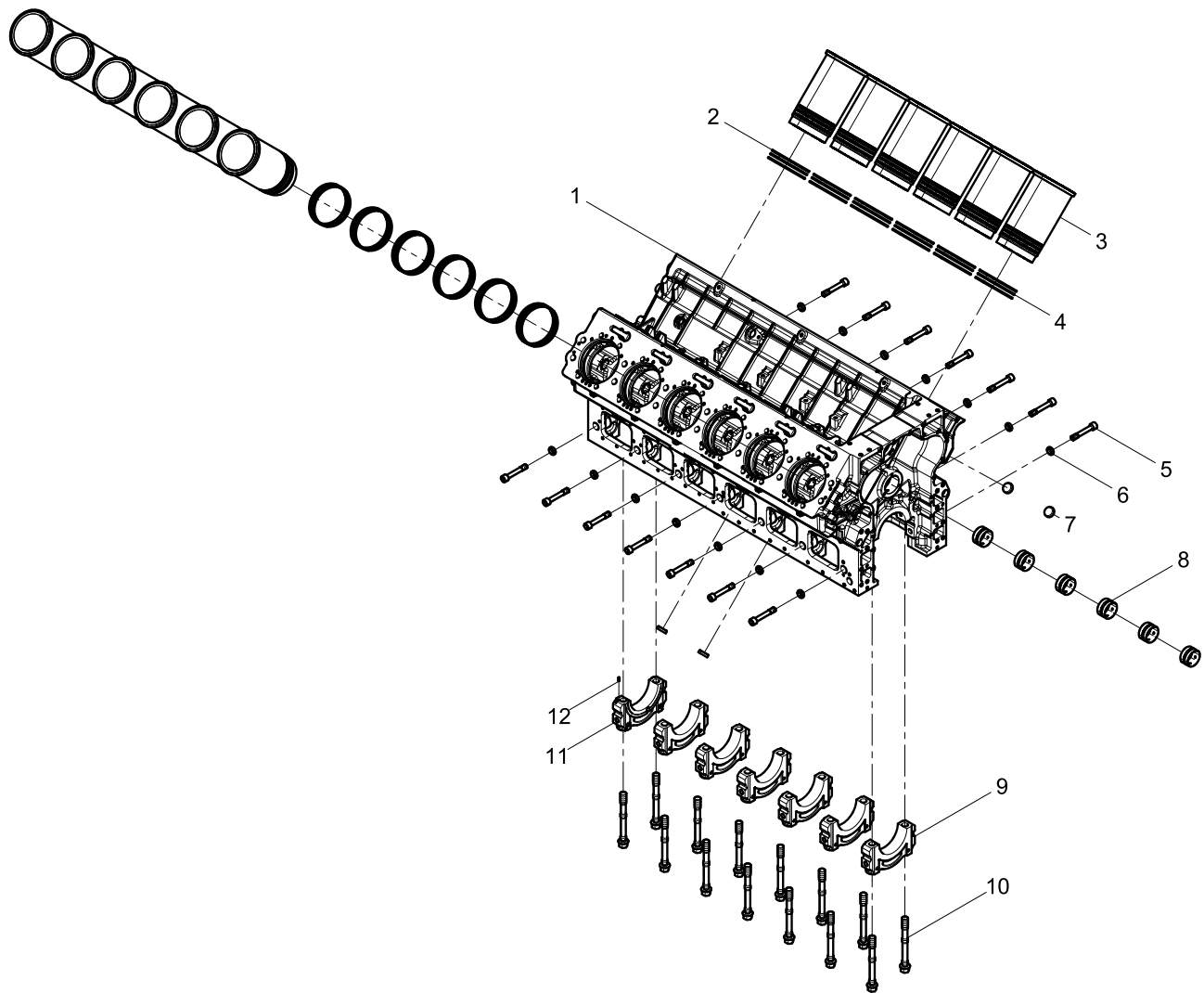
Engine Block Group



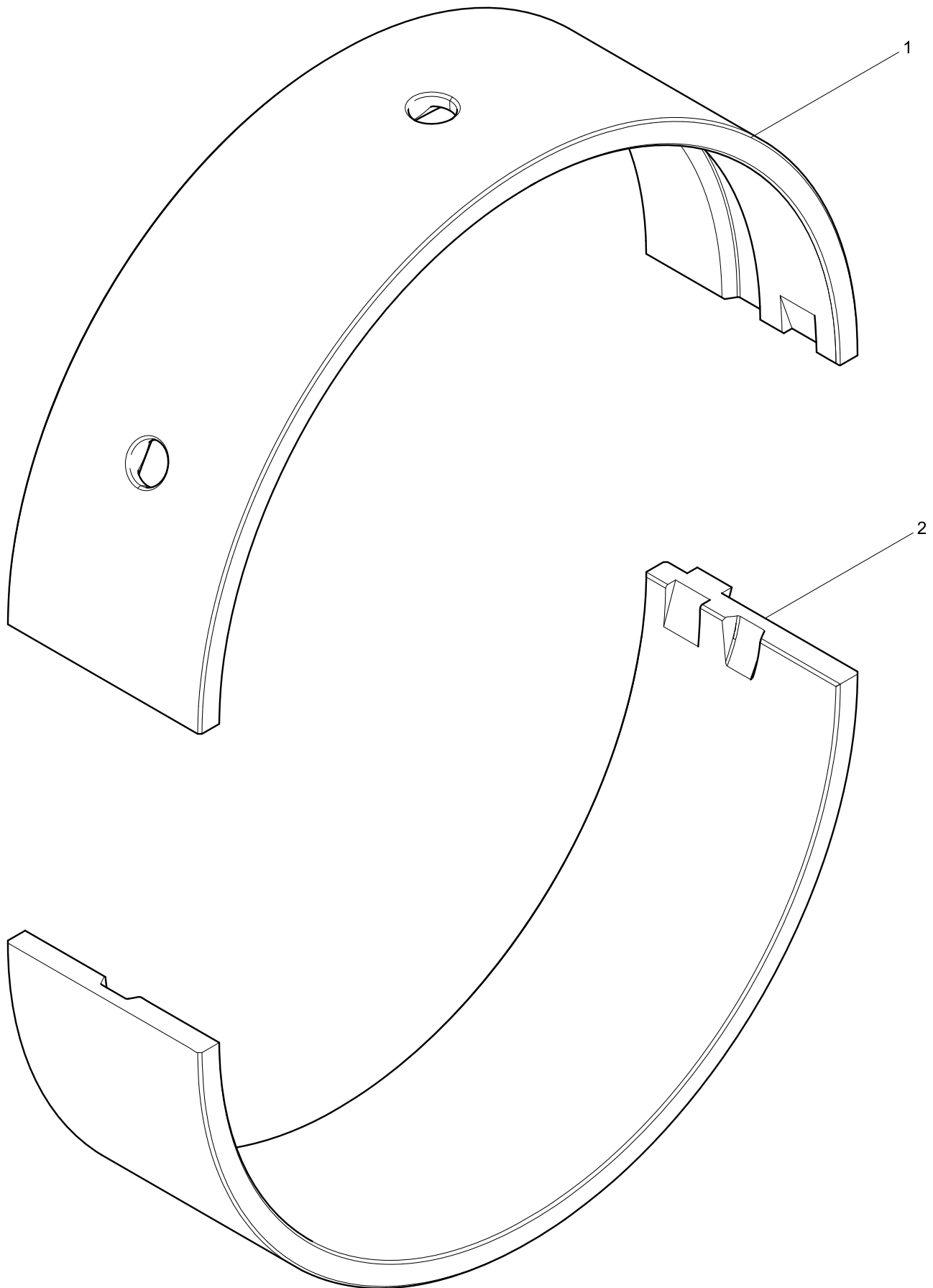
Engine Block Group

Pos.	Teile.Number	Amount	Designation
1	1000855242	1	Assembled Sealing Washer
2	11128190J	1	Screw Plug
3	612600080200	1	Washer
4	610800010226	1	Hexagon Screw Plug
5	90015210006	32	Parallel Pin
6	90011420022	40	Hexagon Flange Bolt
7	331001000428	5	Handhole Cover
8	11230560F	4	Screw Plug
9	612600080275	4	Sealing Washer
10	331001000103	6	Pulling Rivet
11	612600150106	2	Washer
12	1000593609	2	Thin Nut for Connector
13	15035750G	2	Emergency Water Valve
14	1000817114	2	Conversion Adapter
15	15035710N	2	Pipe Joint
16	331001000378	4	Bowl Plug
17	331001000208	1	Camshaft Bush
18	1000428092S	3	Hexagon Flange Bolt
19	331001000785	12	Piston Nozzle Set
20	331001000513	7	Main Bearing Set
21	331001000192	2	Thrust Plate Set
22	331050000075	1	crankcase pre-assembly
23	331001000429	5	Gasket
24	1000077225	2	Pipe Joint

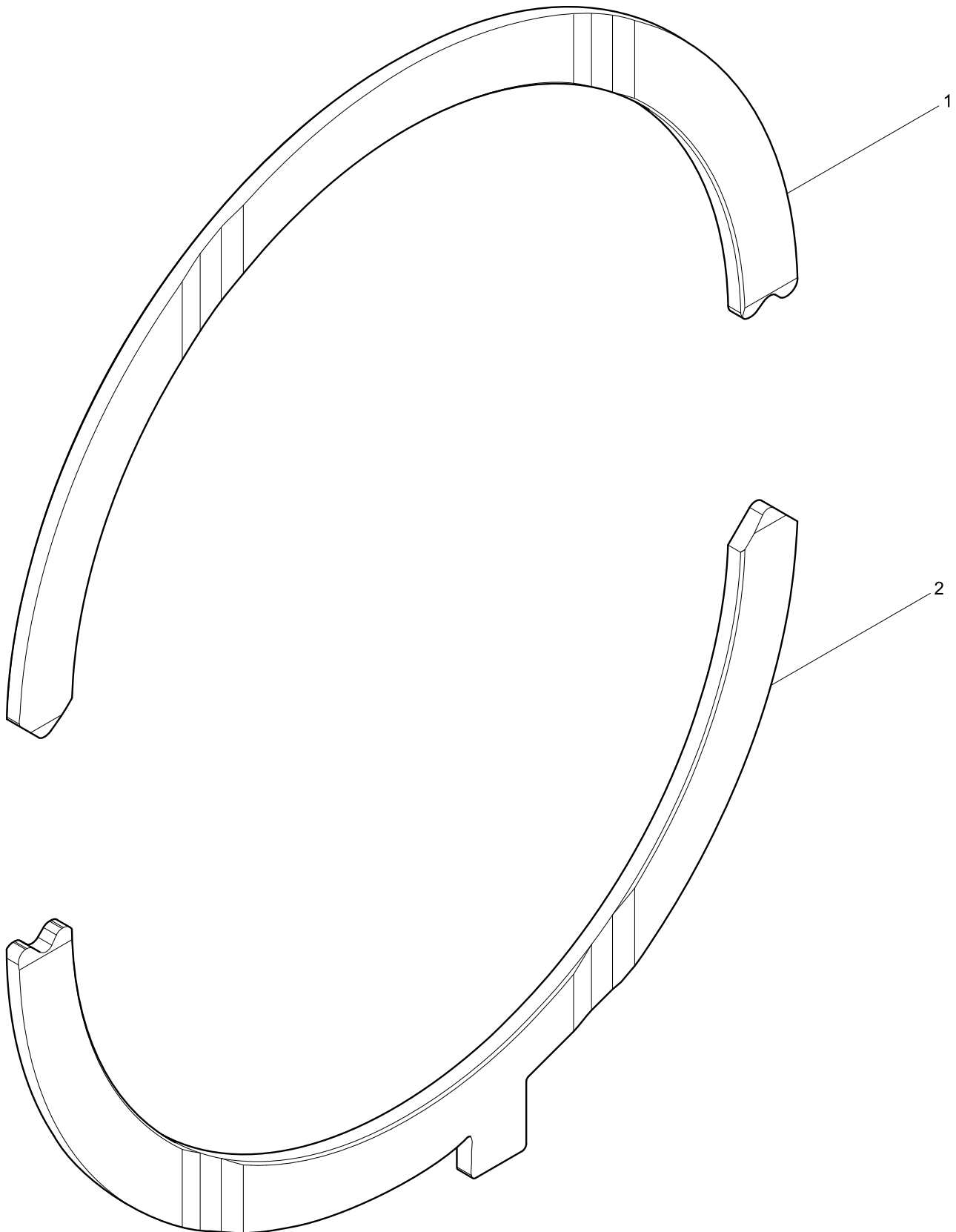
crankcase pre-assembly



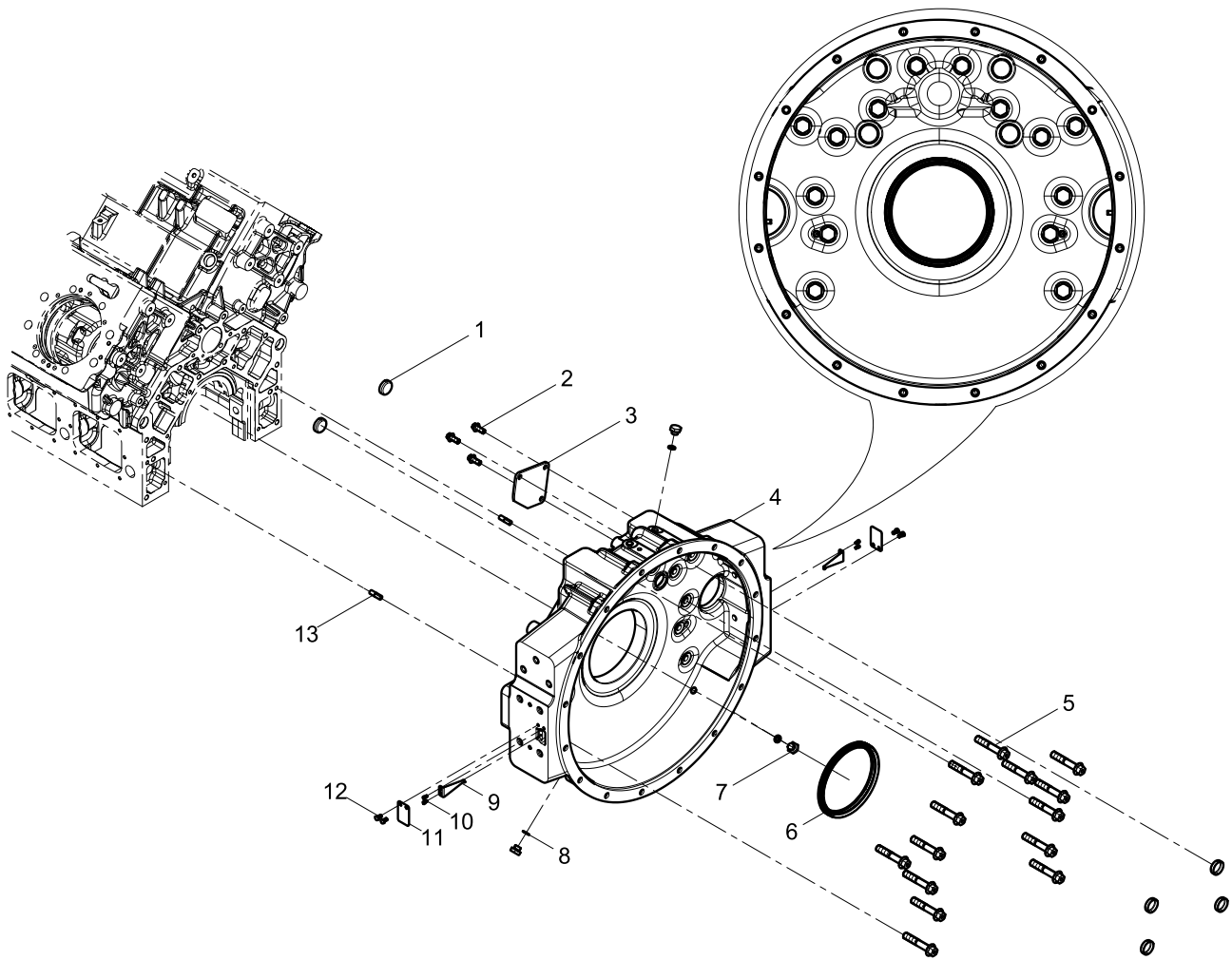
Main Bearing Set



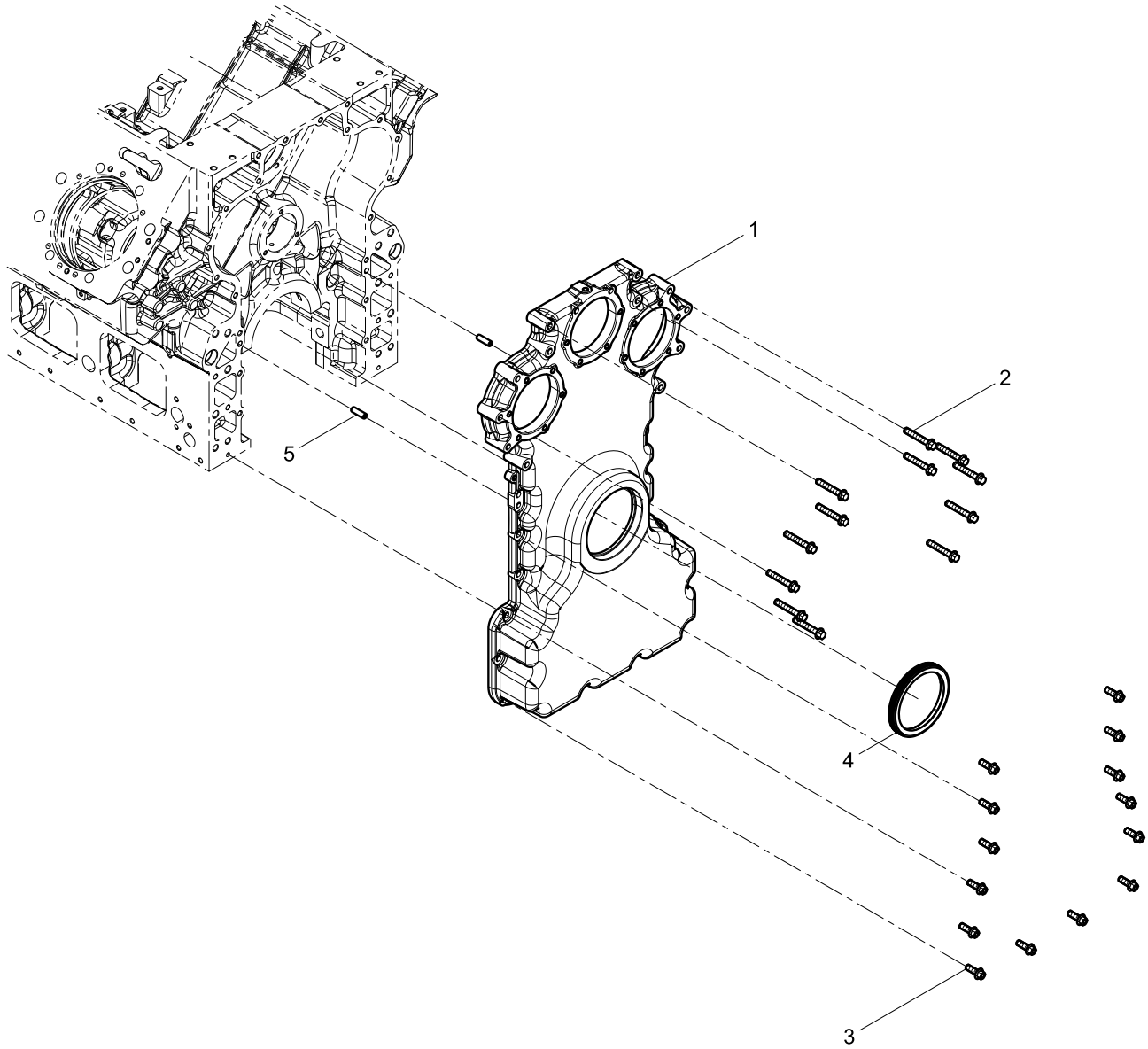
Thrust Plate Set



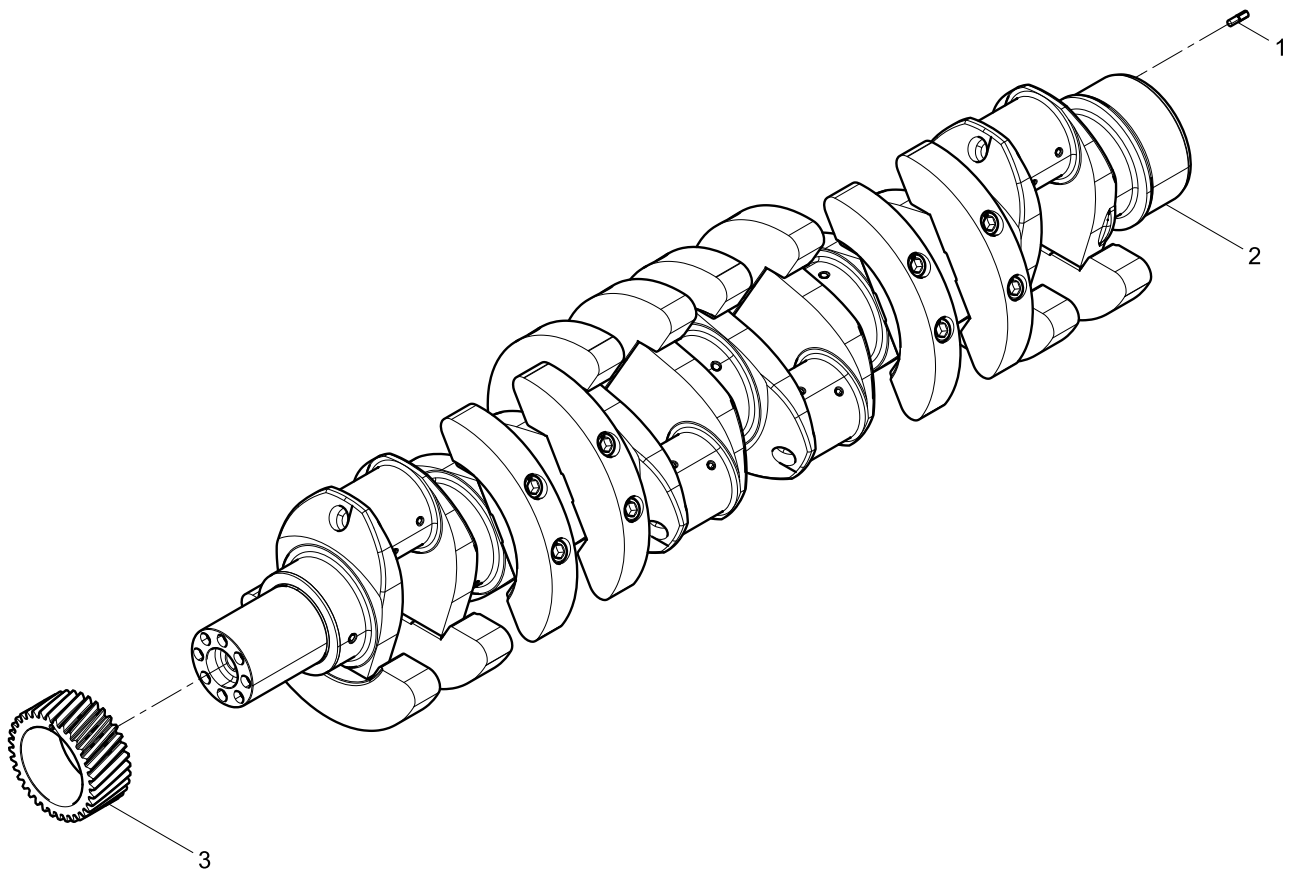
Flywheel Housing Group



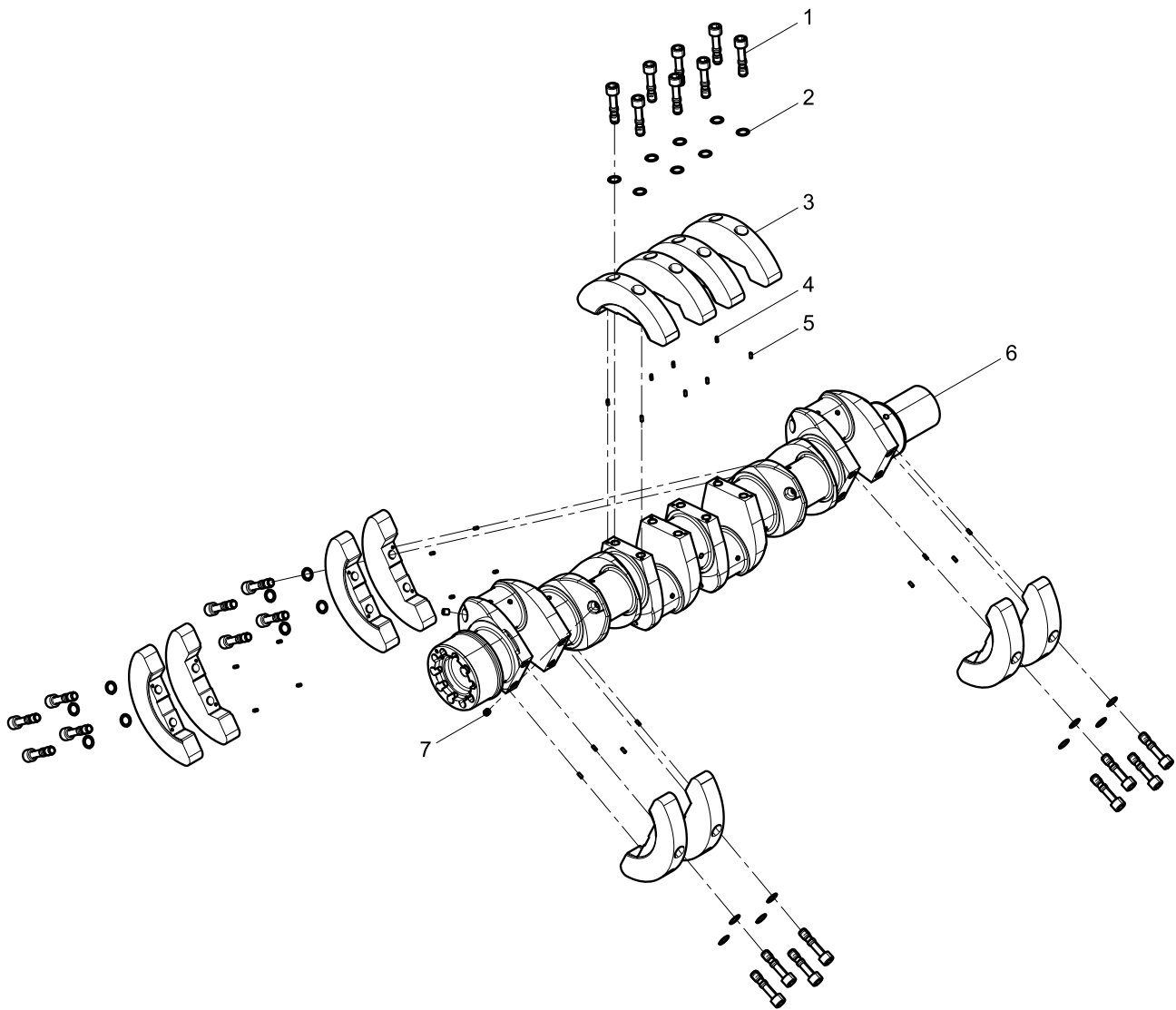
Front cover group



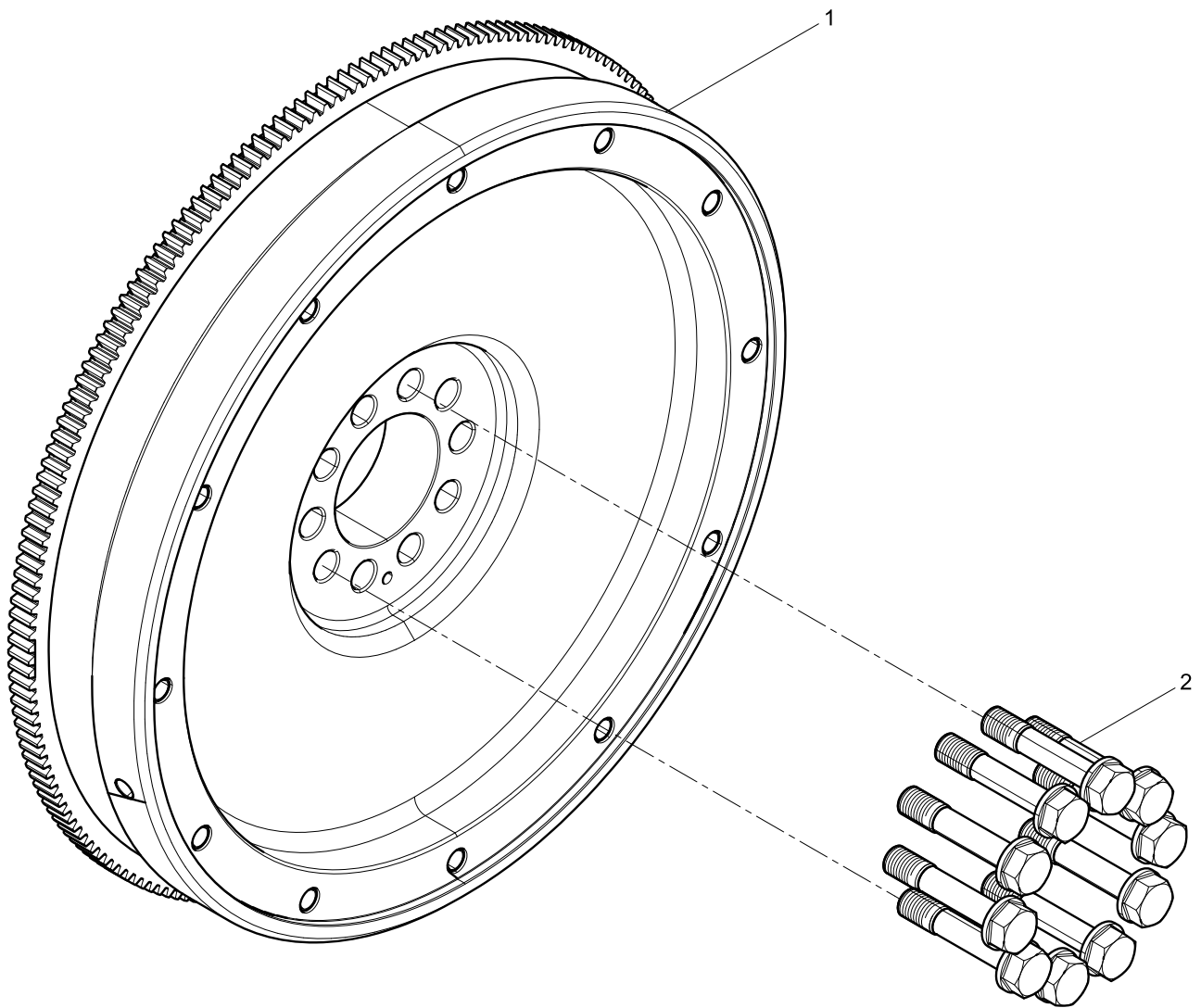
Crankshaft Group



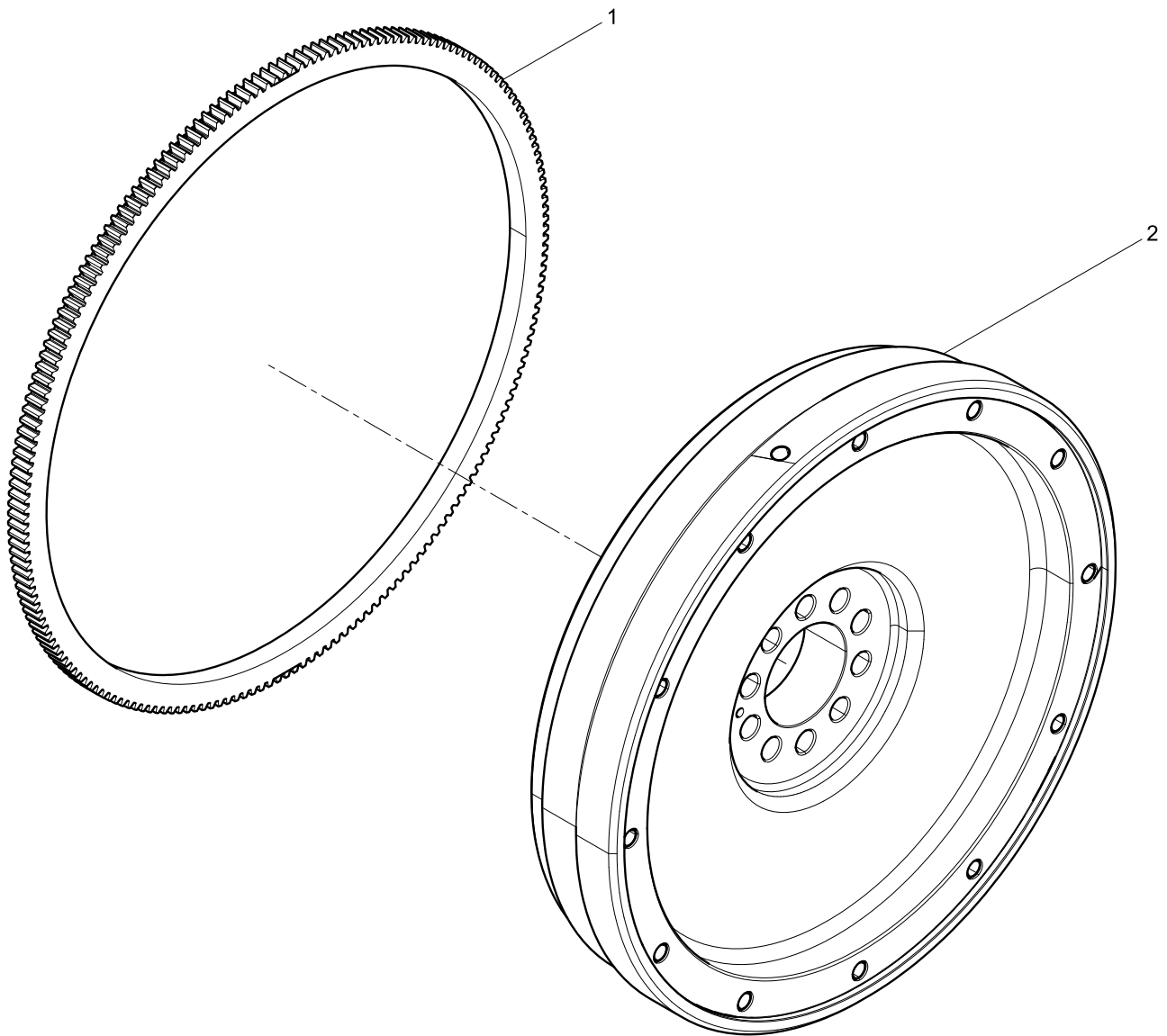
Crankshaft Assembly



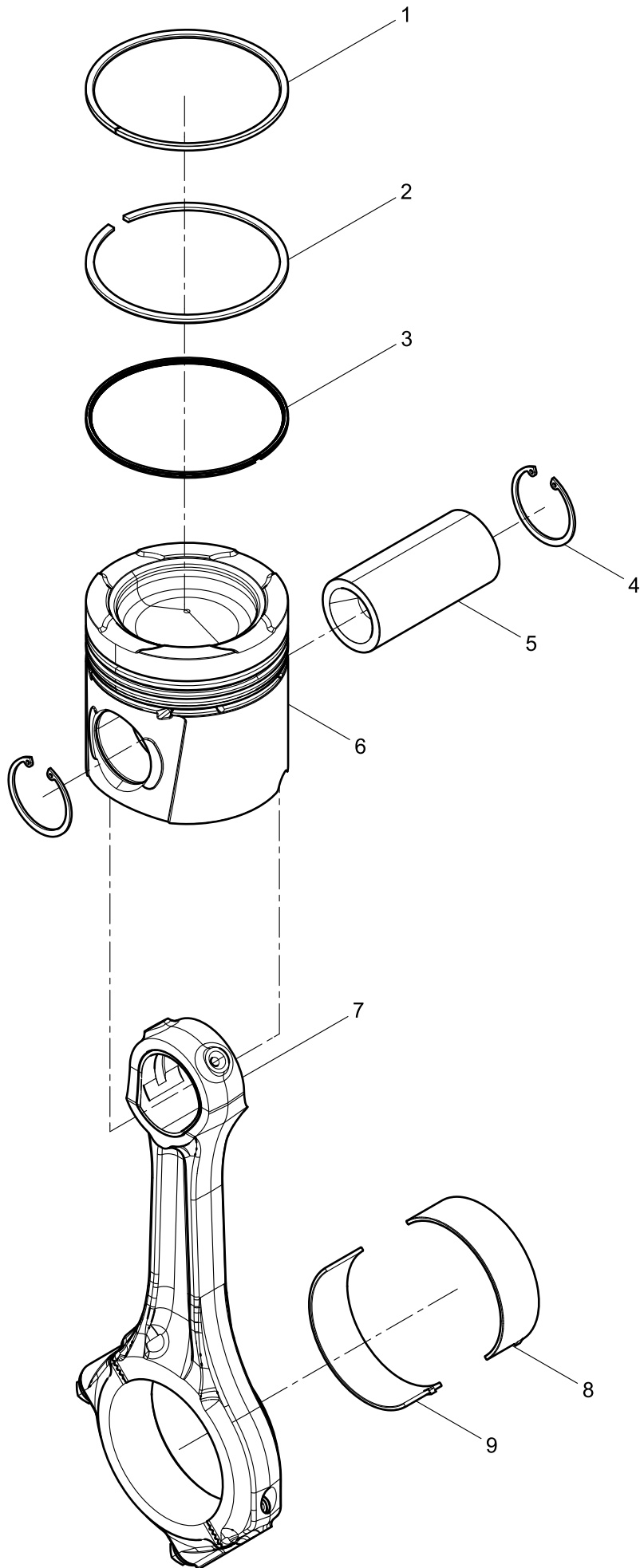
Flywheel Group



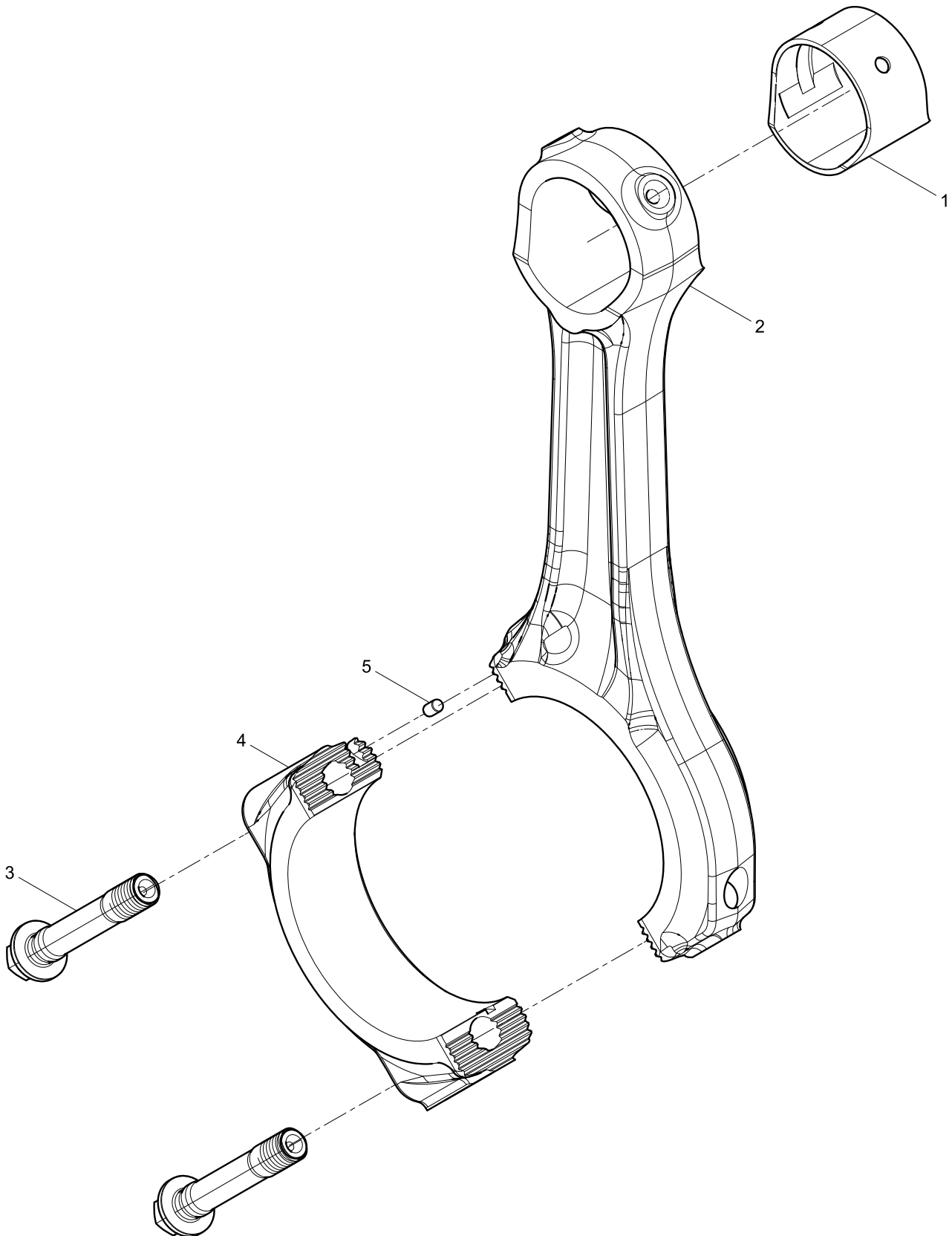
Flywheel Assembly



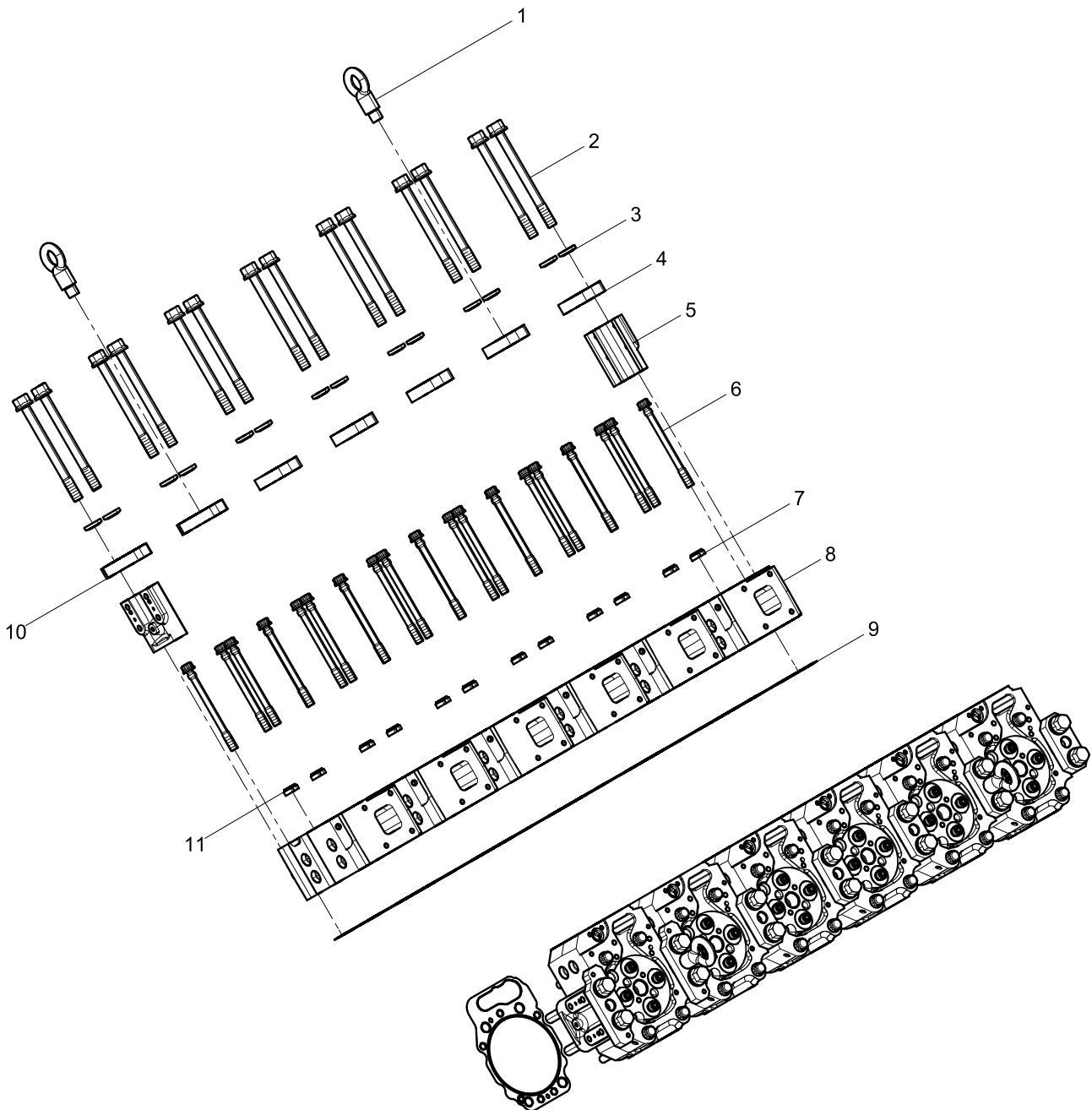
Piston and Connecting Rod Group



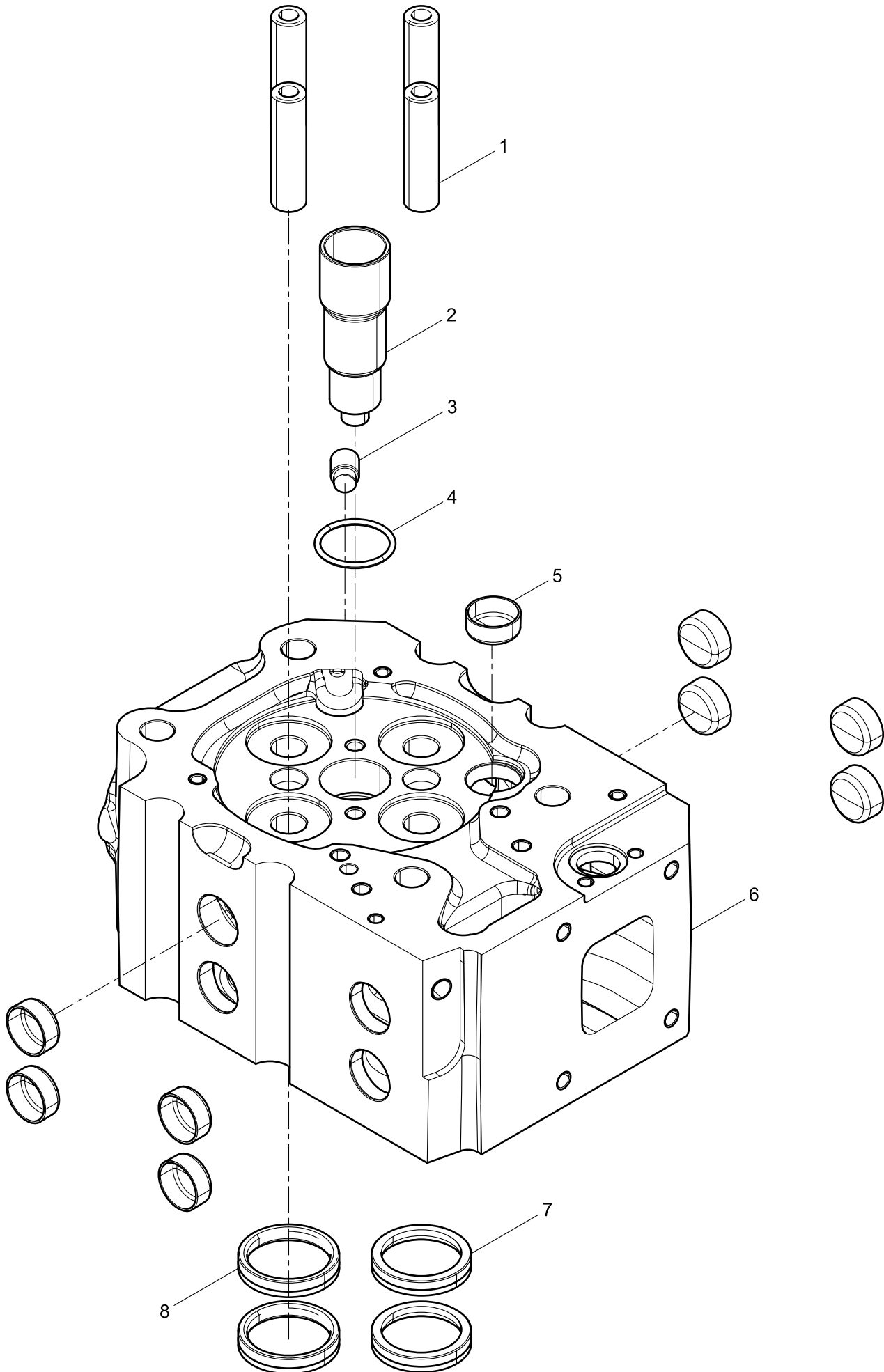
Connecting Rod Assembly



Cylinder Head Group



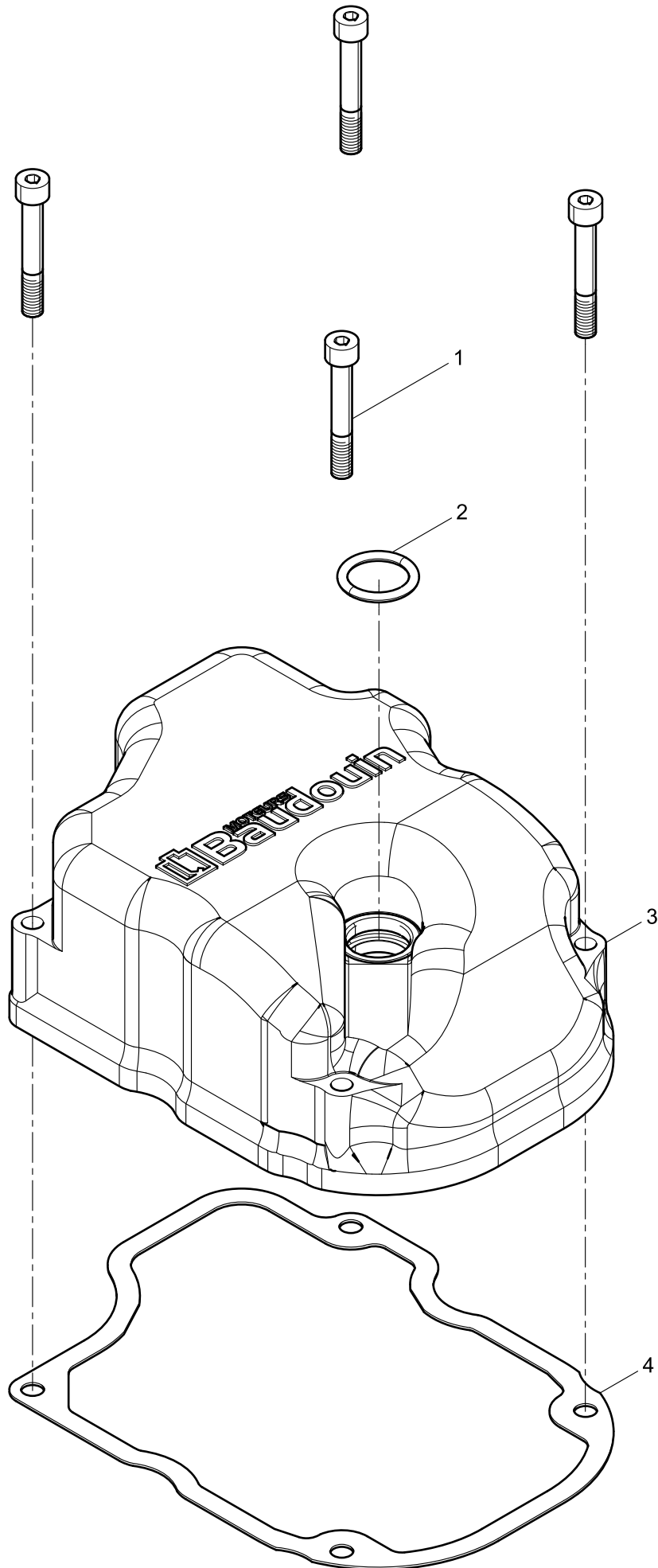
Cylinder Head Subassembly



Cylinder Head Subassembly

Pos.	Teile.Number	Amount	Designation
1	331001000155	48	Valve Guide
2	331001000171	12	Injector Bush
3	610800010023	12	Pulling Rivet
4	77711170N	12	O-ring
5	330301000056	108	Bowl Plug
6	331001000043	12	Cylinder Head
7	331001000045	24	Exhaust Valve Seat
8	331001000044	24	Intake Valve Seat

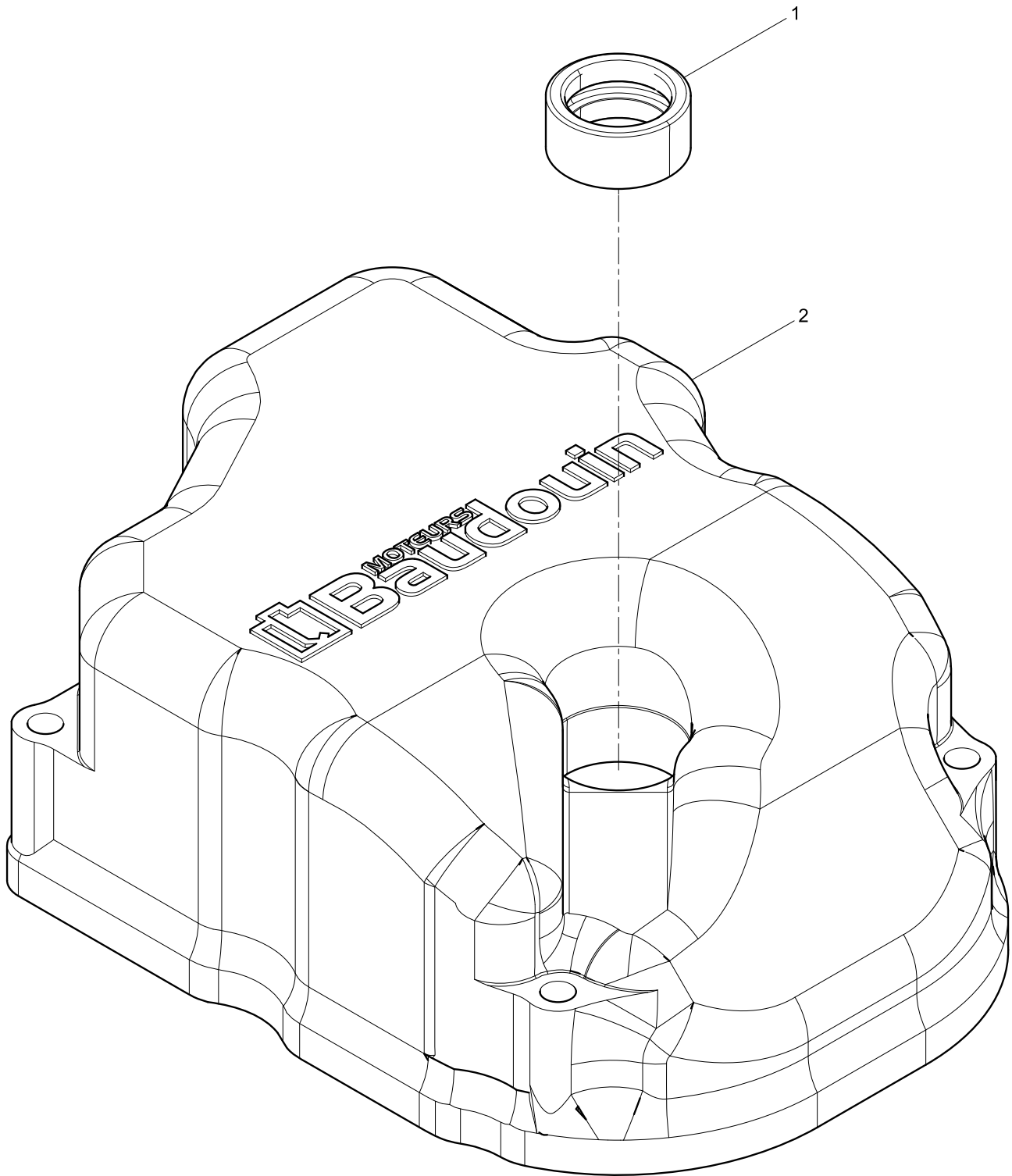
Cylinder Head Cover Group



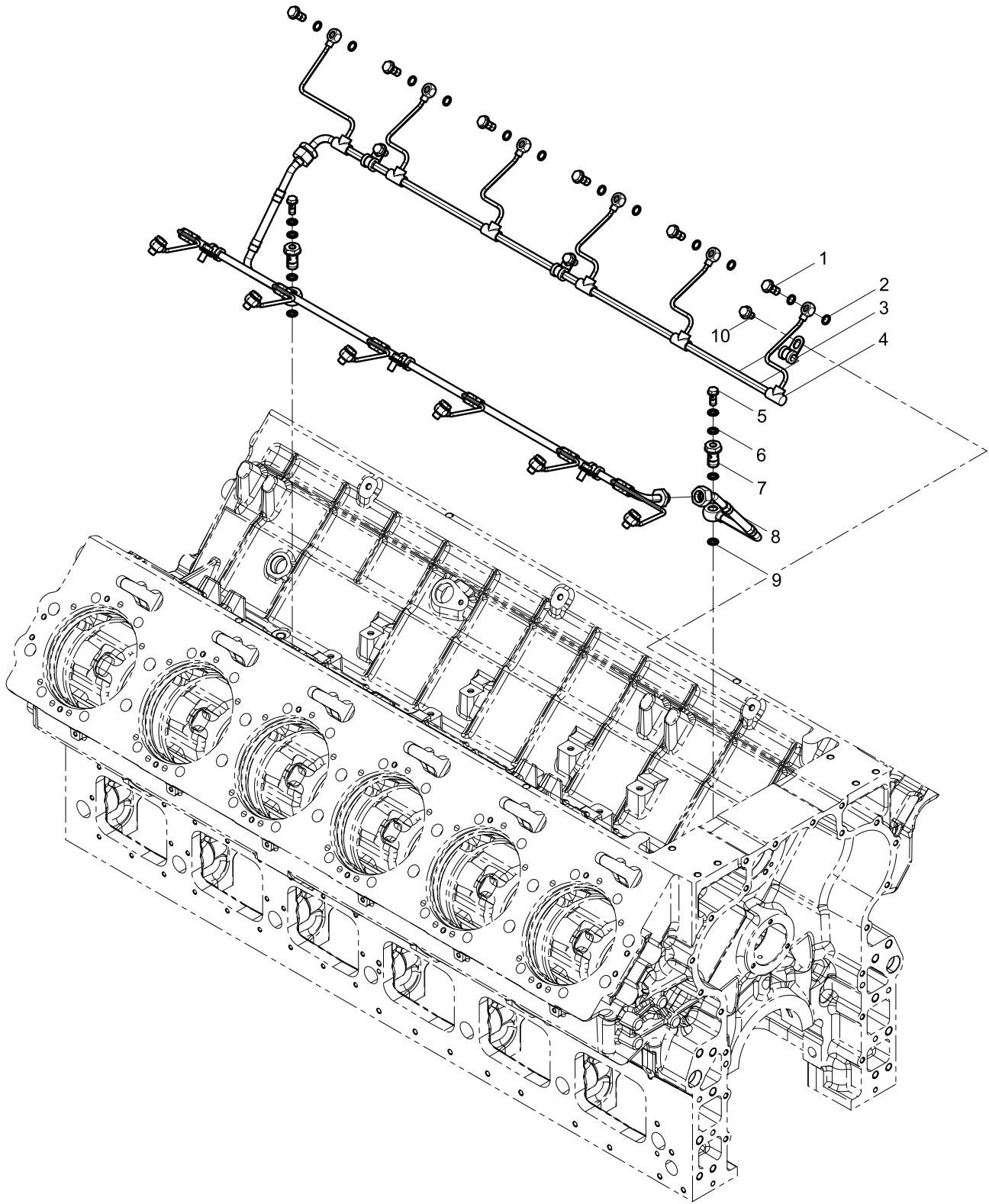
Cylinder Head Cover Group

Pos.	Teile.Number	Amount	Designation
1	90003862456	48	Inner Hexagon Socket Head Cap Screw
2	330201000147	12	O-ring
3	331001000251	12	Cylinder Head Cover
4	330201000012	12	Cylinder Head Cover Gasket

Cylinder Head Cover



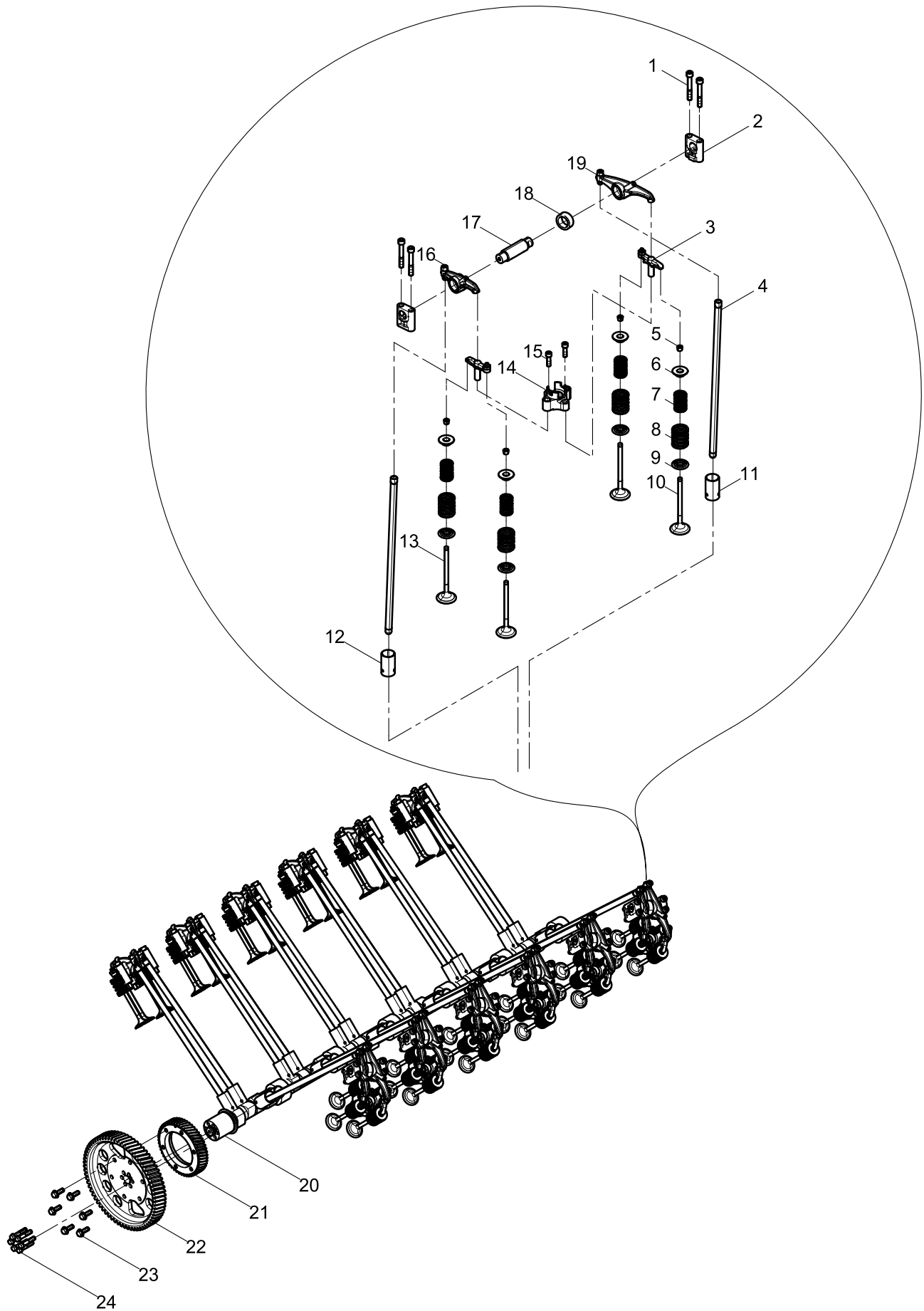
Cylinder head oil pipe group



Cylinder head oil pipe group

Pos.	Teile.Number	Amount	Designation
1	331001000653	12	Bolt
2	90003098012	24	Sealing Washer
3	331001000070	6	Pipe Clamp Assembly
4	331001000683	2	Rocker Arm Oil Pipe
5	612600131018	2	Bolt
6	13057039	4	Assembled Sealing Washer
7	331004000433	2	Bolt
8	331001000665	2	Rocker Arm Oil Pipe
9	13023361	4	Assembled Sealing Washer
10	90011400027	6	Hexagon Flange Bolt

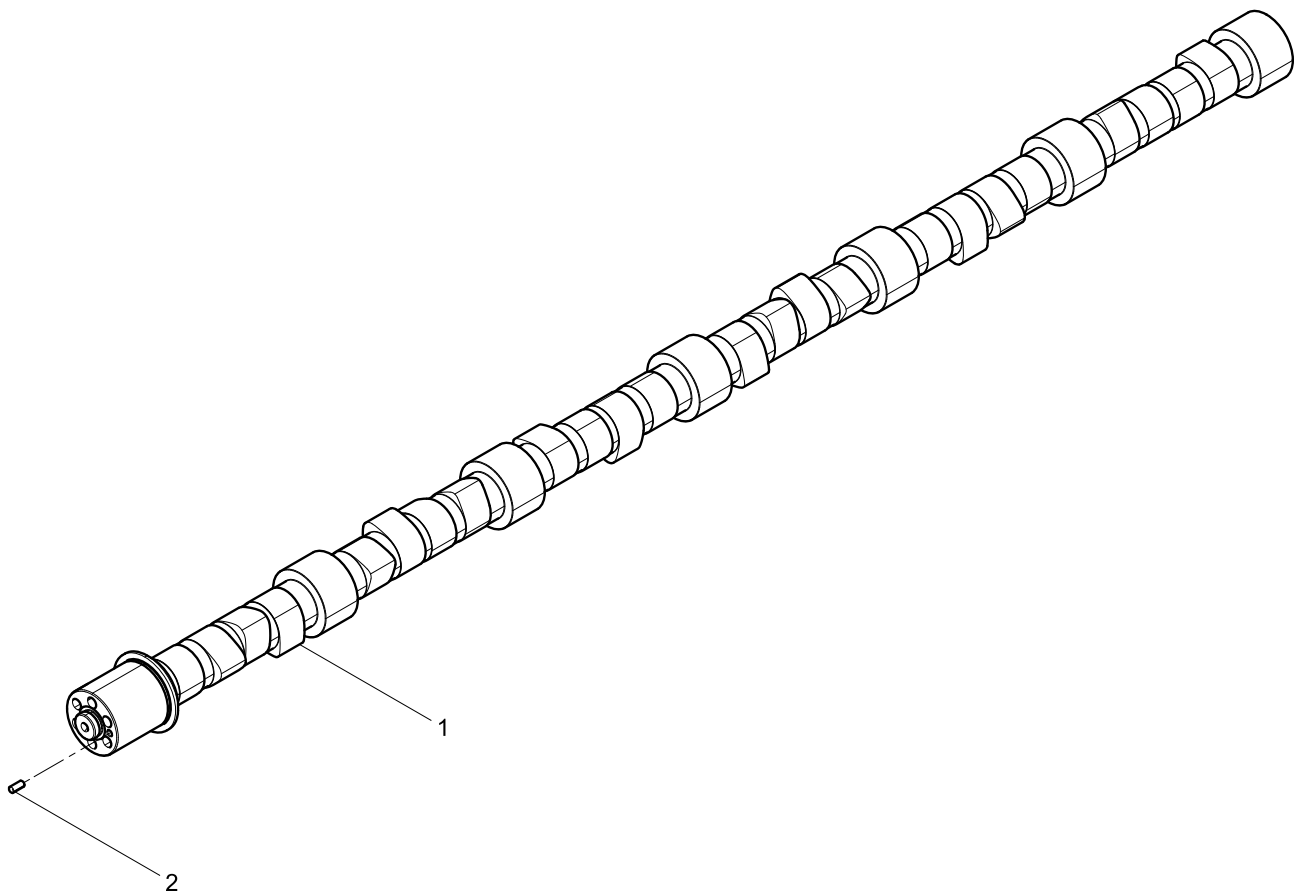
Valve Train Group



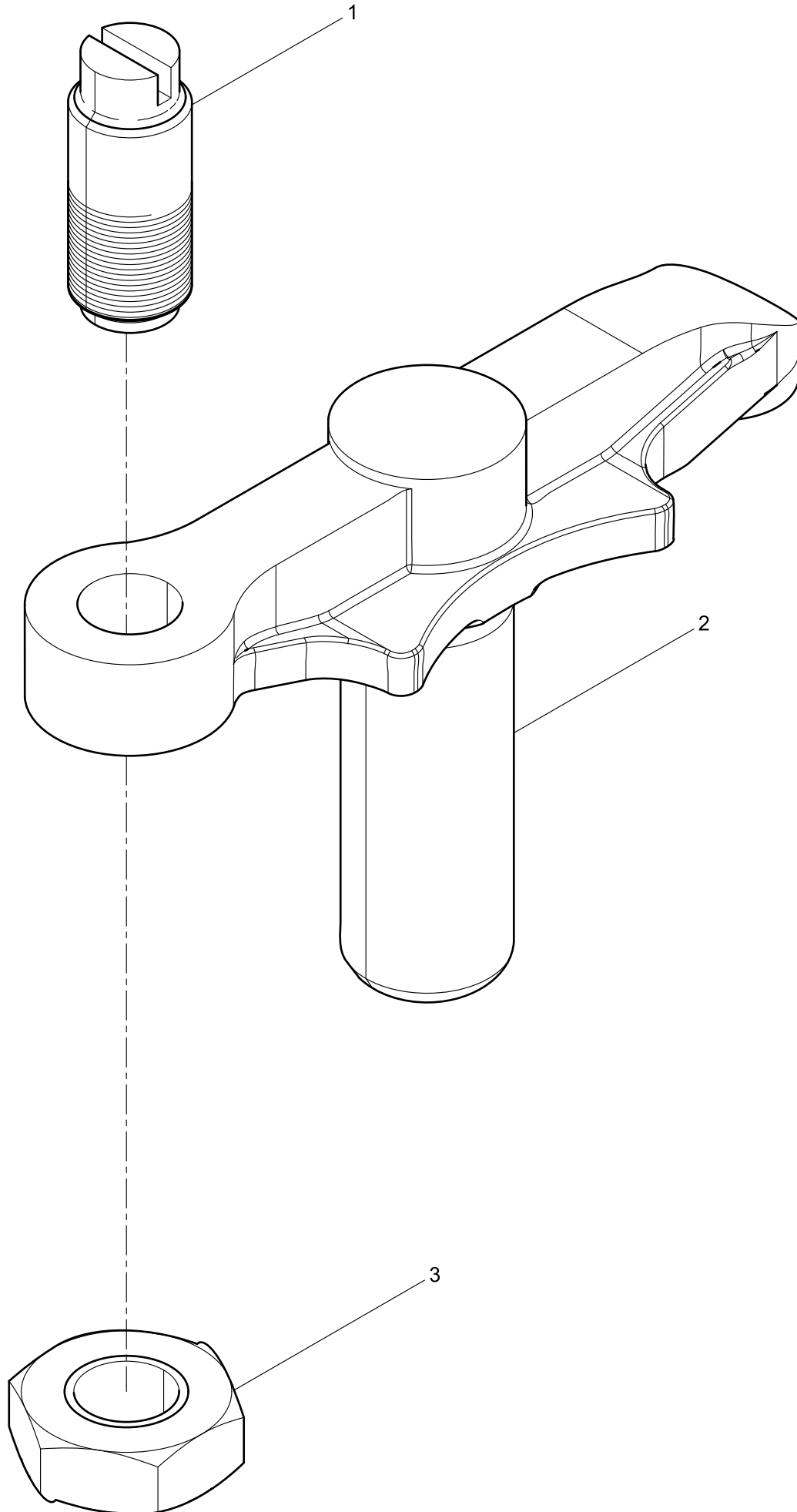
Valve Train Group

Pos.	Teile.Number	Amount	Designation
1	77753250CS	48	Inner Hexagon Socket Head Cap Screw
2	331002000157	24	Rocker Arm Bracket
3	331002000103	24	Valve Bridge Set
4	331002000327	24	Push Rod
5	14010780J	96	Valve Collet
6	331002000159	48	Valve Spring Top Retainer
7	14010390K	48	Inner Valve Spring
8	14010380Z	48	Outer Valve Spring
9	331002000053	48	Valve Spring Bottom Retainer
10	331002000050	24	Intake Valve
11	331002000153	12	Tappet
12	331002000366	12	Tappet
13	331002000051	24	Exhaust Valve
14	331002000038	12	Valve Bridge Seat
15	77753190M	24	
16	331002000403	12	Exhaust Rocker Arm Assembly
17	331002000393	12	Rocker Arm Shaft Set
18	331002000039	12	Sleeve
19	331002000406	12	Intake Rocker Arm Assembly
20	331002000040	1	Camshaft Assembly
21	331002000181	1	Idler Gear
22	331002000027	1	Camshaft Timing Gear
23	331002000282	6	Hexagon Flange Bolt
24	331002000249	6	Hexagon Flange Bolt

Camshaft Assembly



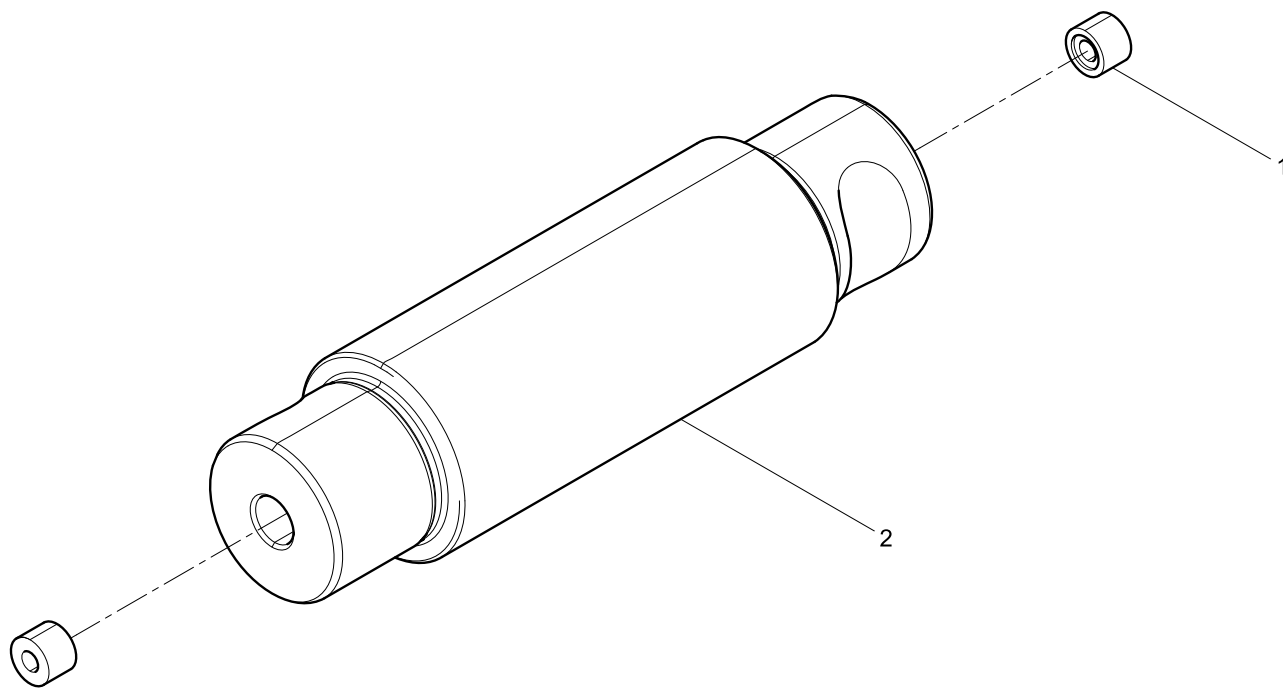
Valve Bridge Set



Valve Bridge Set

Pos.	Teile.Number	Amount	Designation
1	13504090J	24	Adjusting Screw
2	13504230L	24	Hexagon Lock Nut
3	331002000037	24	Valve Bridge

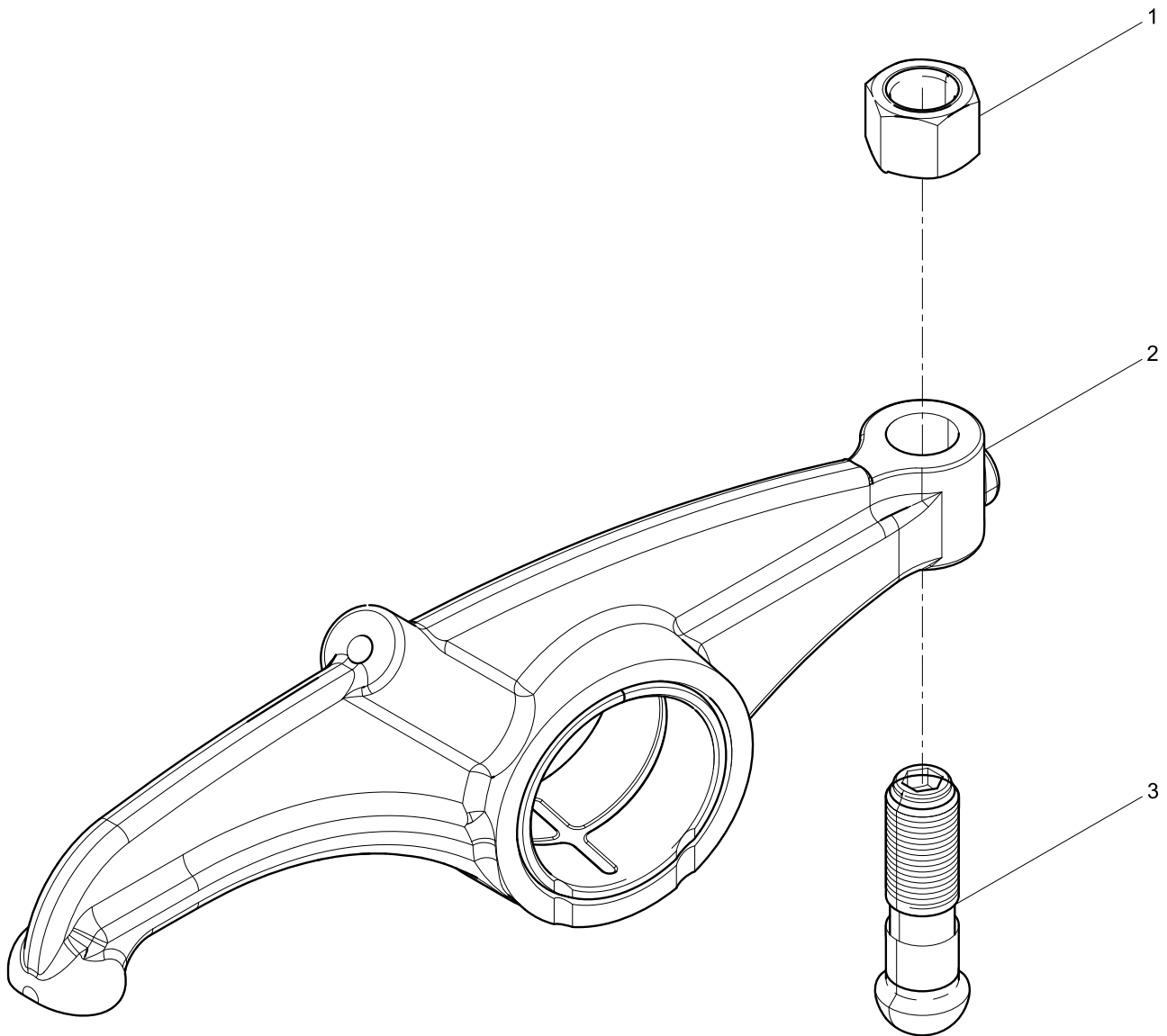
Rocker Arm Shaft Set



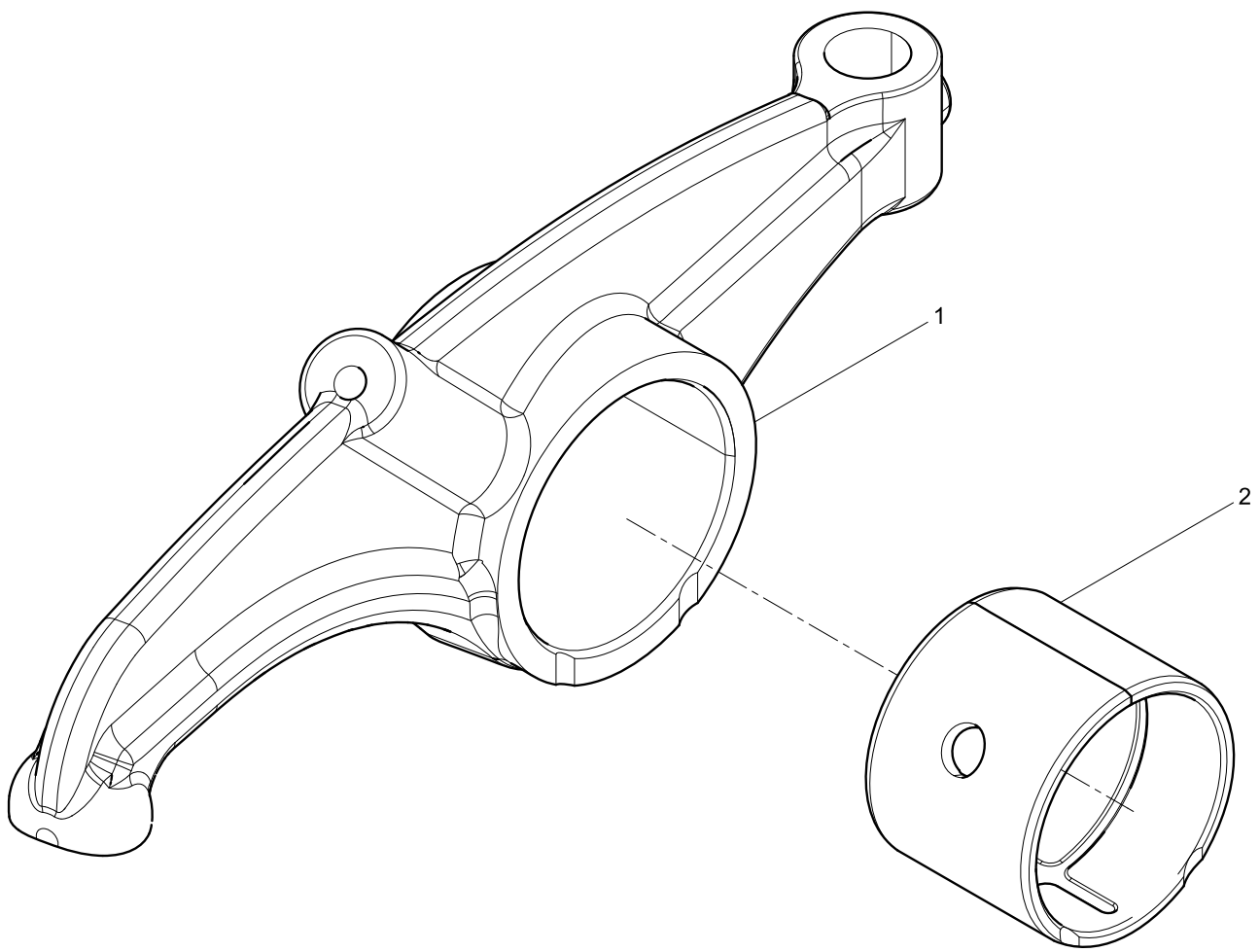
Rocker Arm Shaft Set

Pos.	Teile.Number	Amount	Designation
1	77701680Y	24	Pulling Rivet
2	331002000394	12	Rocker Arm Shaft

Intake Rocker Arm Assembly



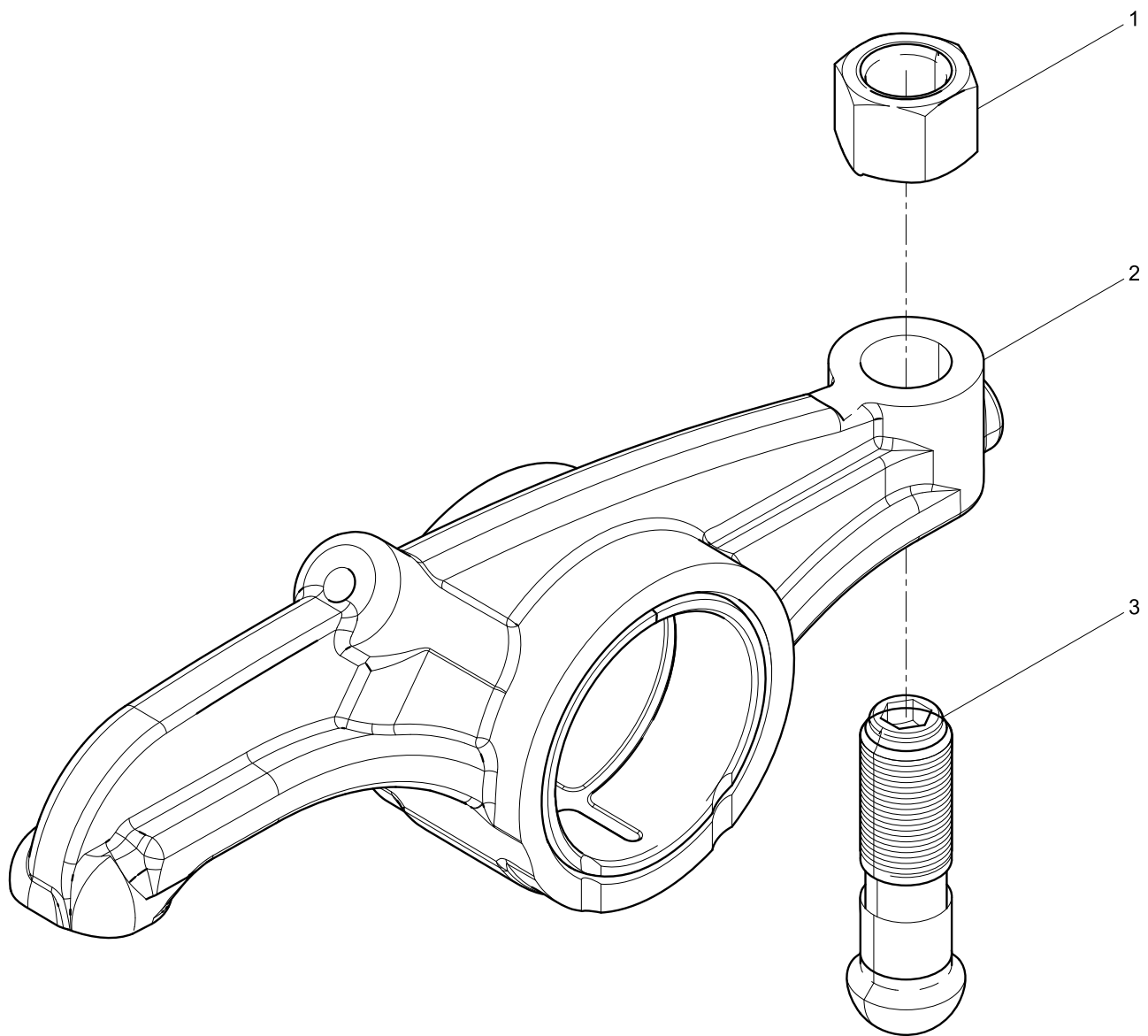
Intake Rocker Arm Set



Intake Rocker Arm Set

Pos.	Teile.Number	Amount	Designation
1	331002000307	1	Intake Rocker Arm
2	331002000405	1	Rocker Arm Bush

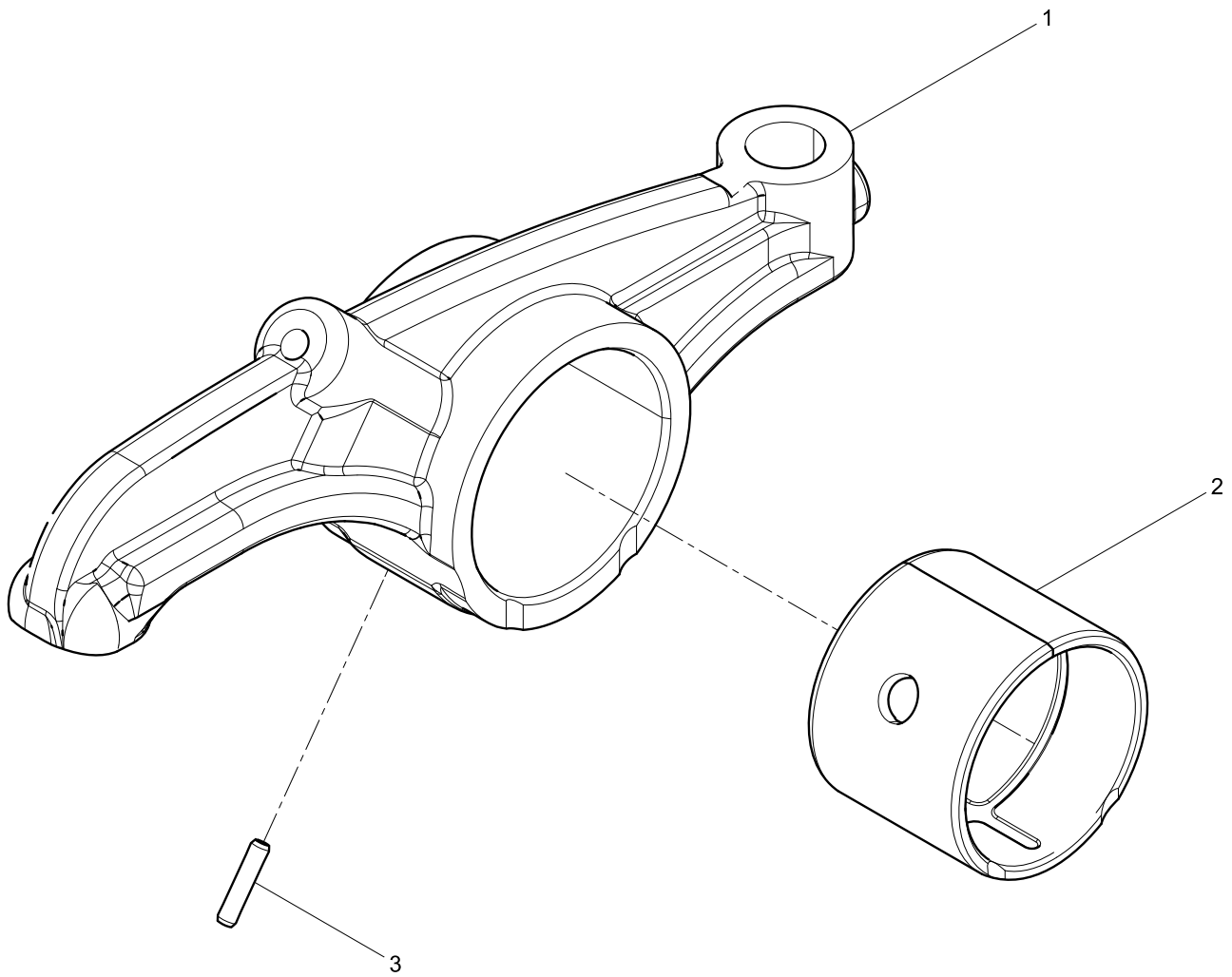
Exhaust Rocker Arm Assembly



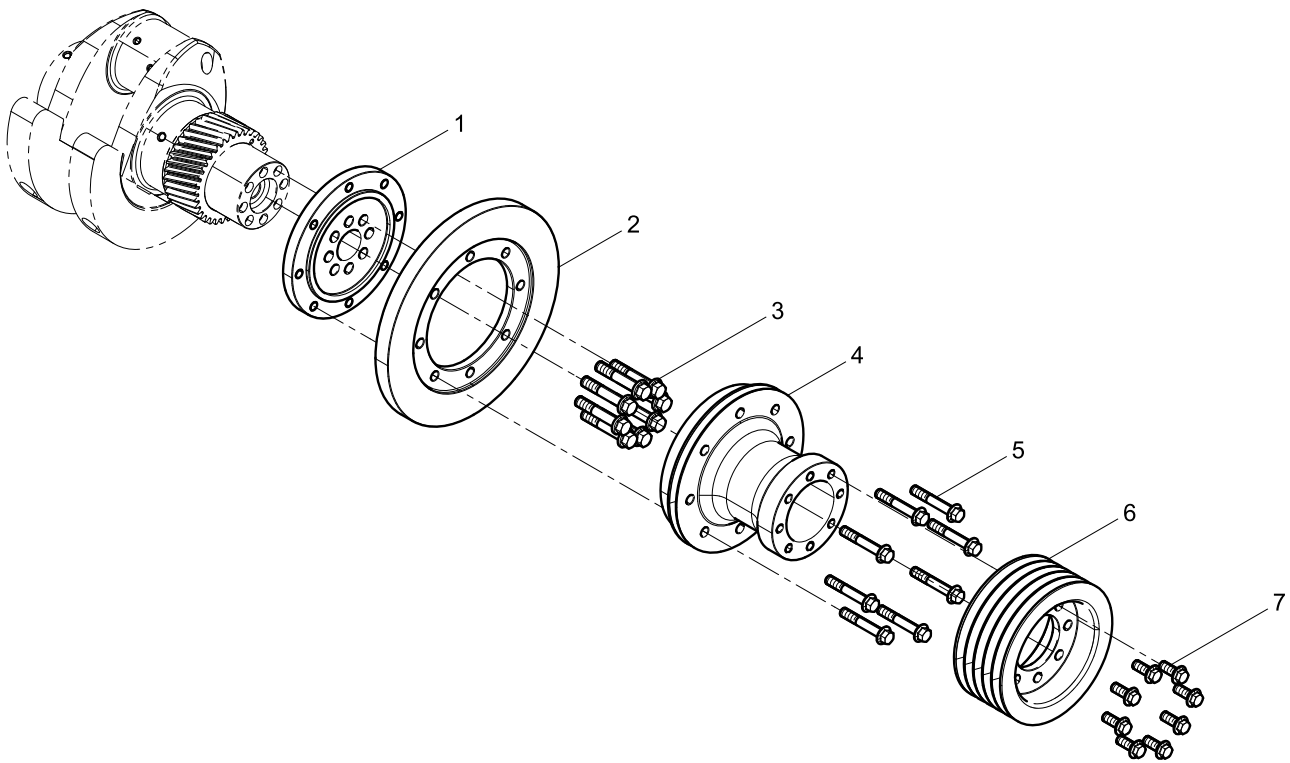
Exhaust Rocker Arm Assembly

Pos.	Teile.Number	Amount	Designation
1	X6260.033	12	Nut
2	331002000404	12	Exhaust Rocker Arm Set
3	331002000312	12	Adjusting Screw

Exhaust Rocker Arm Set



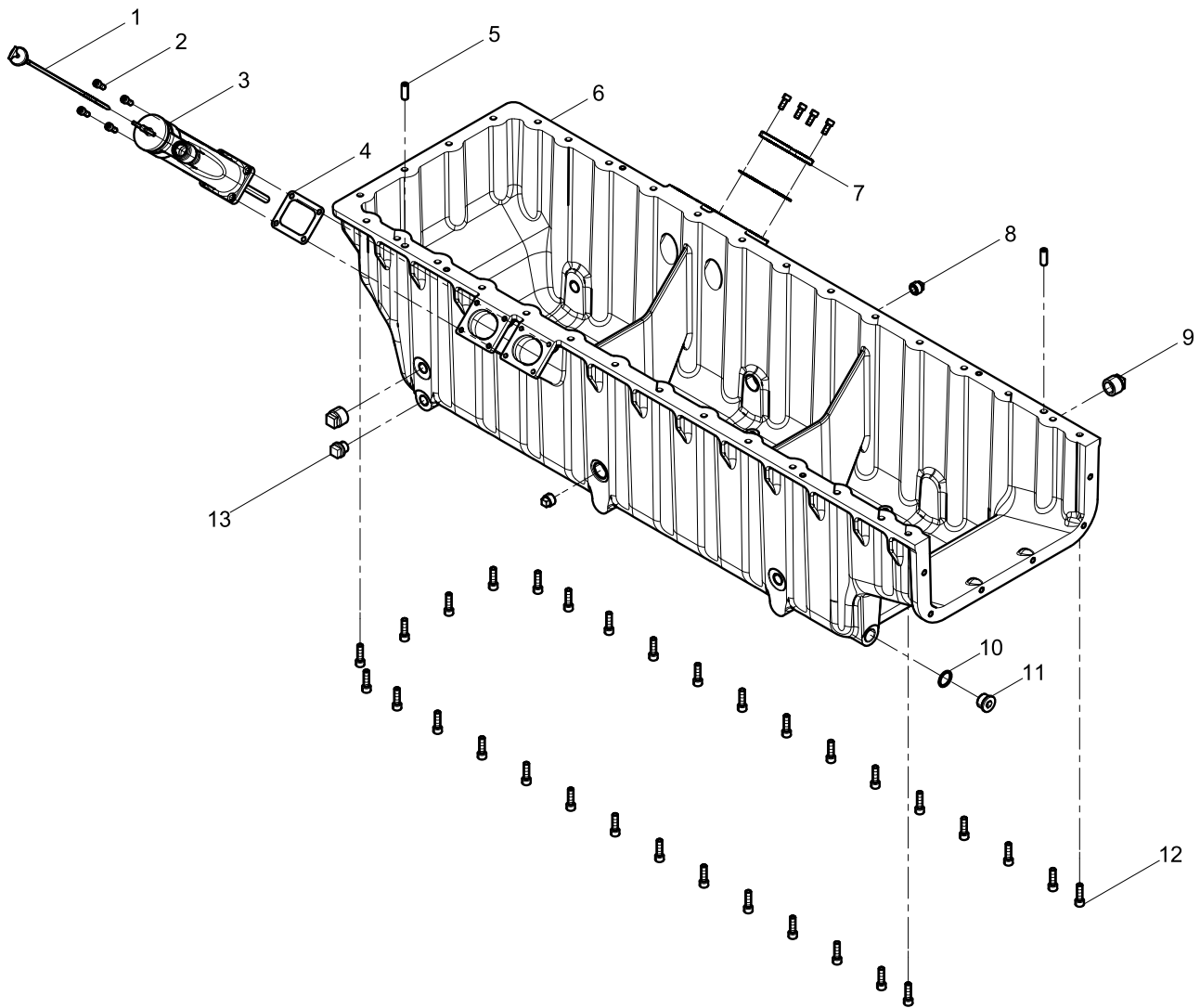
Crankshaft Pulley Group



Crankshaft Pulley Group

Pos.	Teile.Number	Amount	Designation
1	331002000152	1	Connecting Plate
2	1000729276	1	Flange
3	331002000182	8	Hexagon Flange Bolt
4	331002000402	1	Connecting Plate
5	1000002777	8	Hexagon Flange Bolt
6	331002000193	1	Crankshaft Pulley
7	331002000184	8	Hexagon Flange Bolt

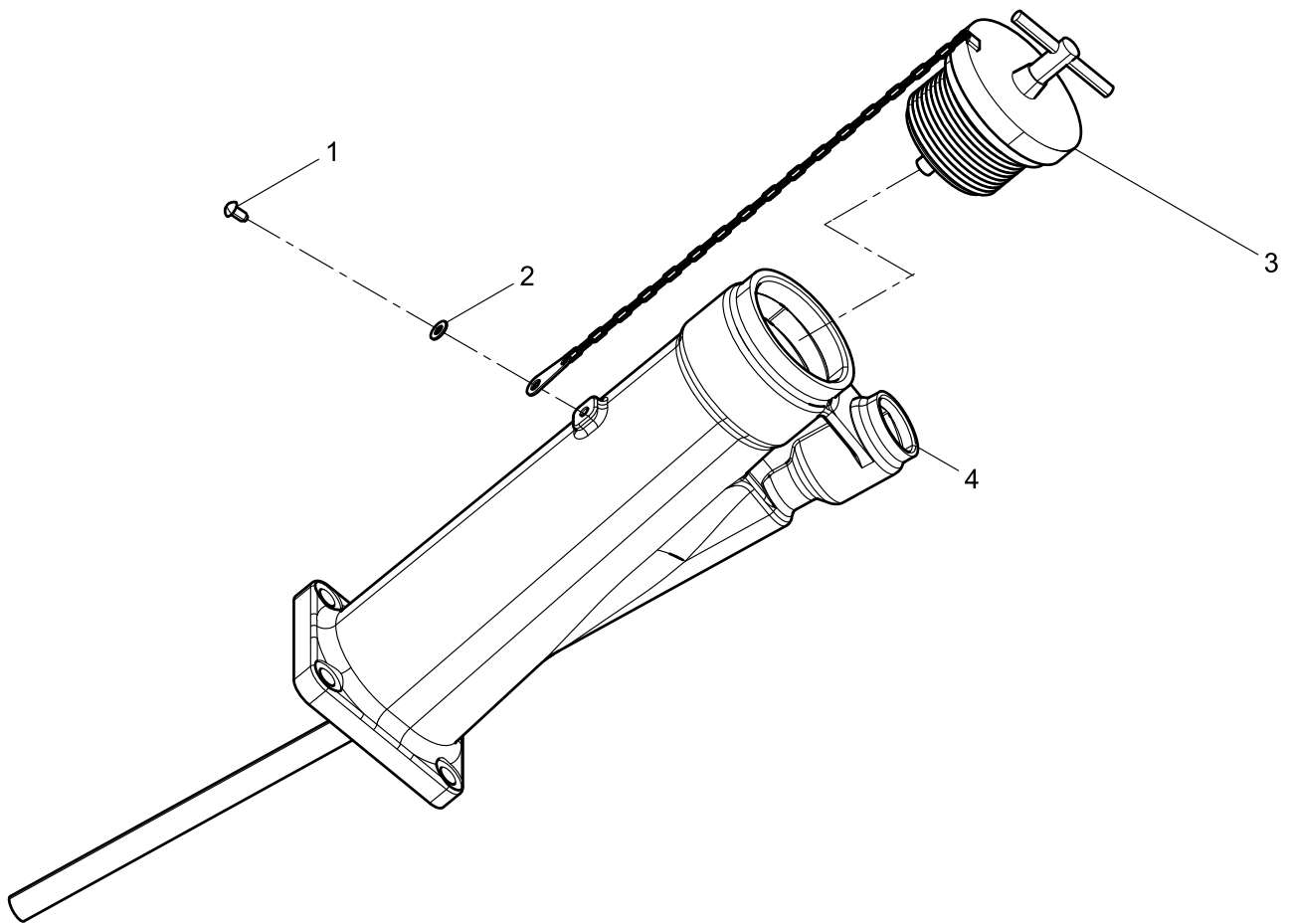
Oil Pan Group



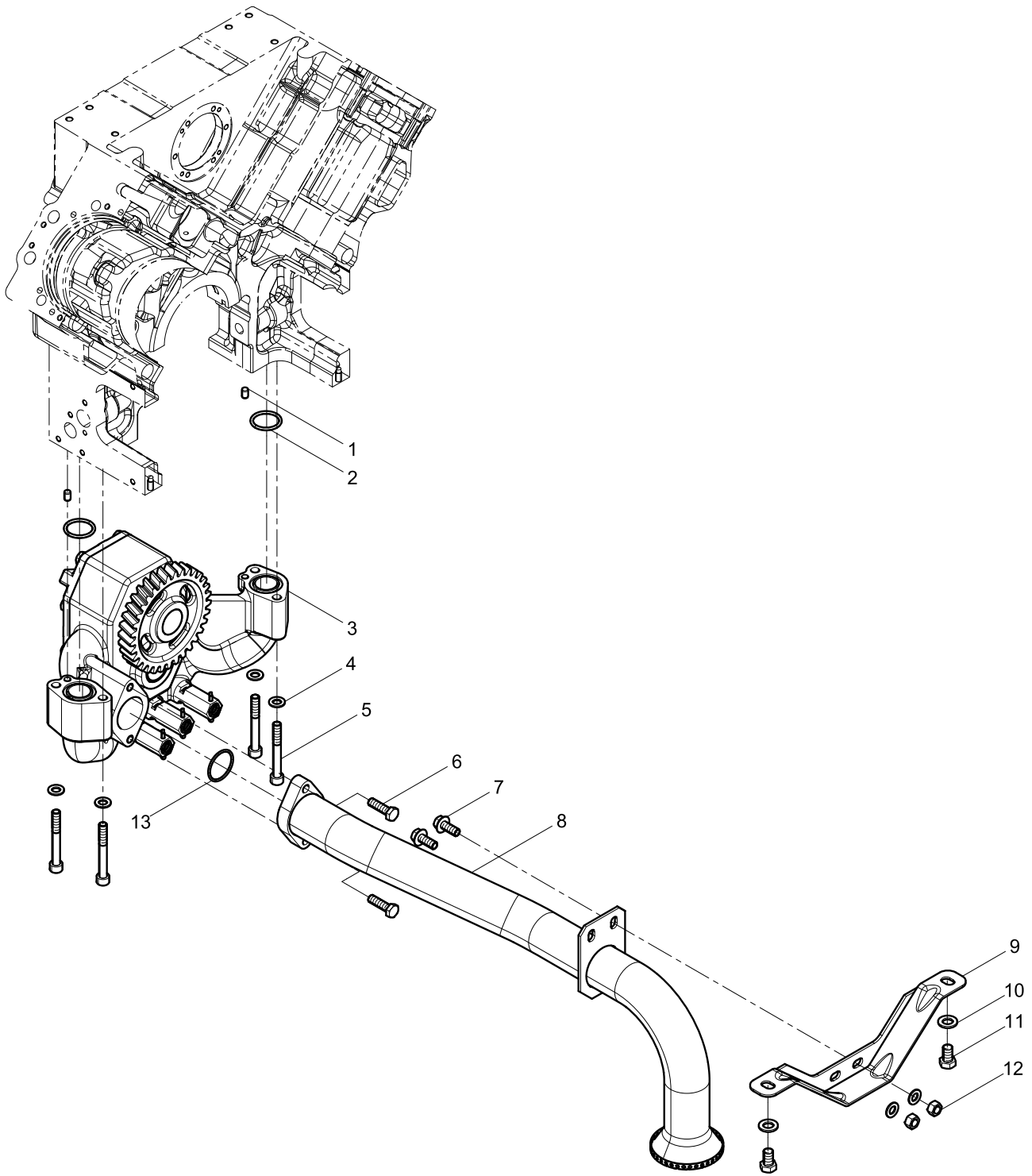
Oil Pan Group

Pos.	Teile.Number	Amount	Designation
1	15042380N	1	Dipstick
2	90013550027	8	Inner Hexagon Socket Head Cap Screw
3	90011420014	32	Hexagon Flange Bolt
4	14210300D	2	Gasket
5	90015060005	2	Parallel Pin with Internal Thread
6	331001000050	1	Oil Pan
7	14210270W	1	Cover
8	612600150273	2	Screw Plug
9	13036173	2	Screw Plug
10	77707780D	1	Gasket
11	77733030Z	1	Hexagon Taper Screw Plug
12	14710080S	1	Oil filling pipe set
13	612600150302	1	Magnetic Screw Plug Assembly

Oil filling pipe set



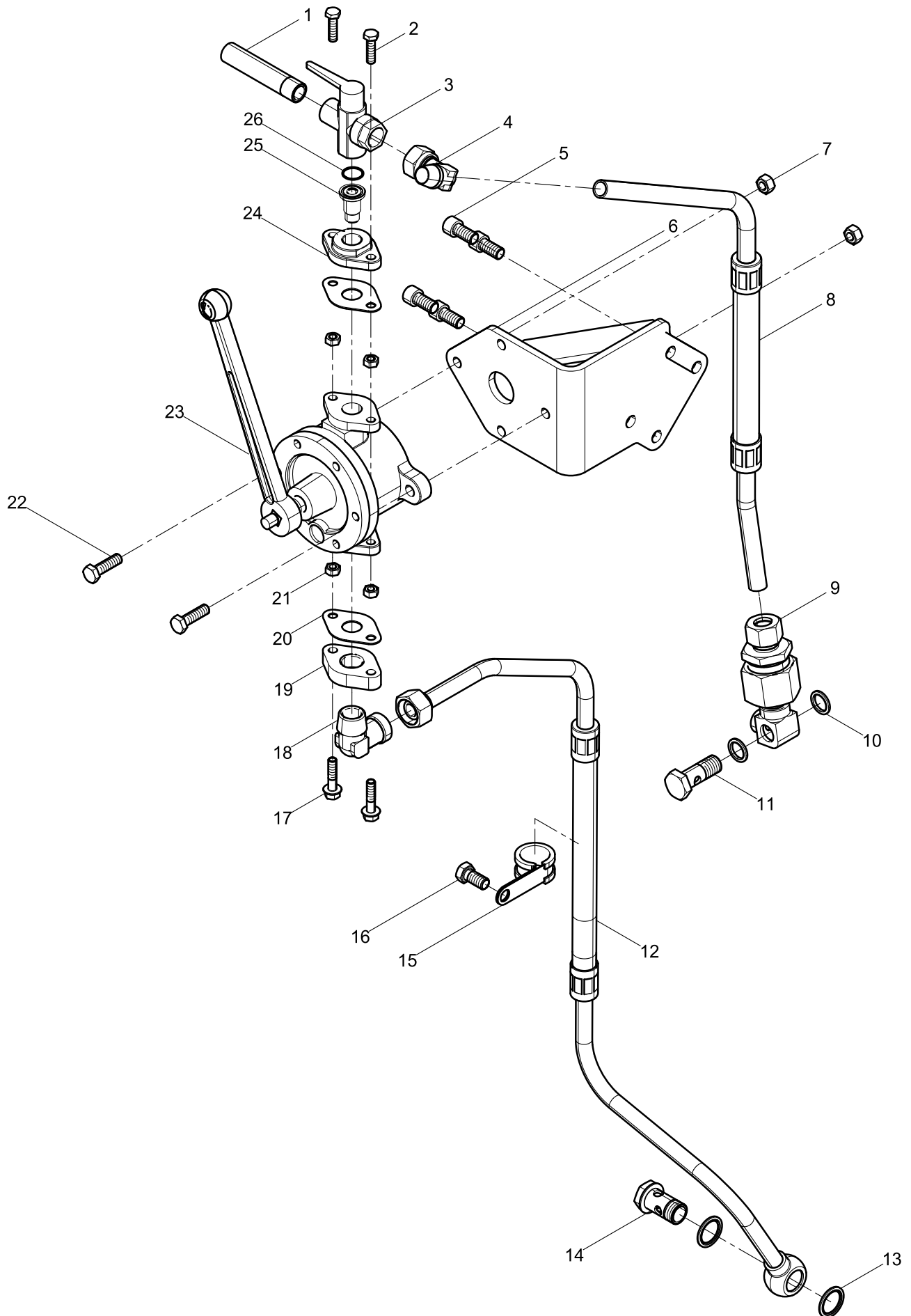
Oil Pump Group



Oil Pump Group

Pos.	Teile.Number	Amount	Designation
1	90015050010	2	Parallel Pin
2	90017510015	2	O-ring
3	331004000015	1	Lubricating Oil Pump
4	90014020001	6	Plain Washer
5	90013050028	4	Screw
6	90003802532	2	Hexagon Head Bolt
7	90000000044	2	Hexagon Flange Bolt
8	331004000134	1	Lubricating Oil Suction Strainer
9	331004000261	1	Oil Suction Strainer Bracket
10	90003932016	2	Wave Spring Washer
11	90011350132	2	Hexagon Head Bolt
12	90012700002	2	Hexagon Nut, Style 2
13	90017510082	1	O-ring

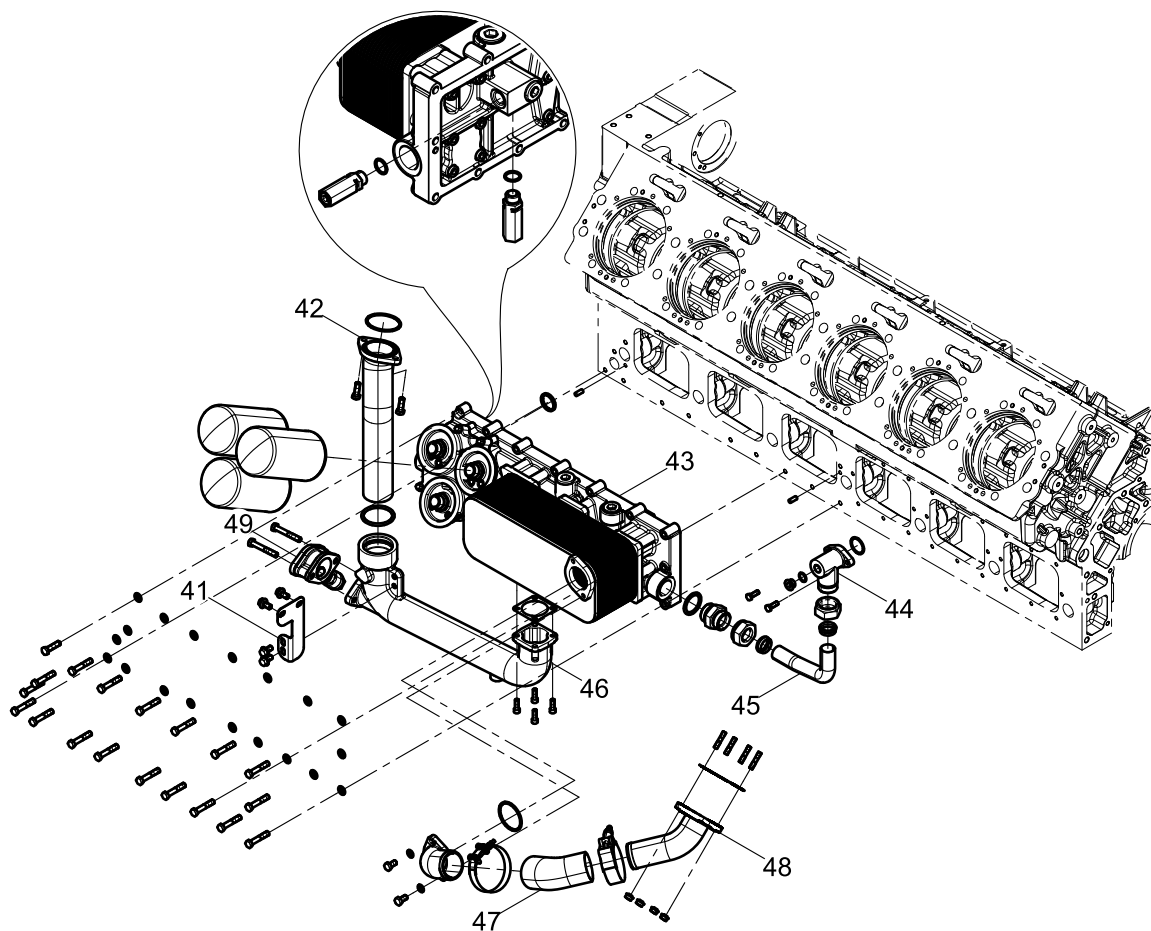
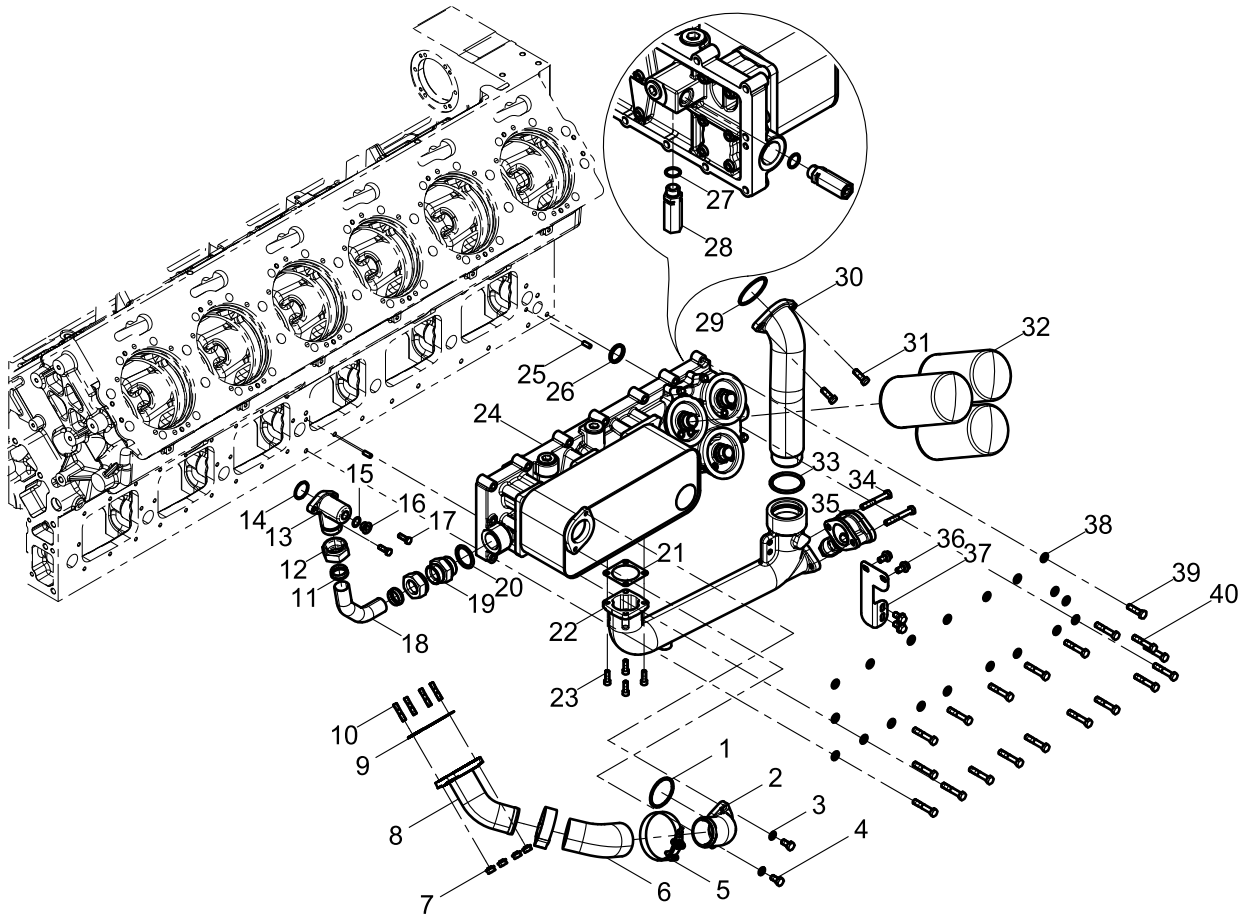
Hand Oil Pump Group



Hand Oil Pump Group

Pos.	Teile.Number	Amount	Designation
1	15040760C	1	Pre-lubricationg Pump Oil Pipe
2	90003802444	2	Hexagon Head Bolt
3	77718910B	1	Valve Core
4	77718880T	1	Pipe Joint
5	90013550037	4	Inner Hexagon Socket Head Cap Screw
6	331004000353	1	Pre-lubricationg Pump Bracket
7	90003871308	2	Hexagon Nuts, Style 1
8	331004000376	1	Pre-lubricationg Pump Oil Pipe
9	331004000056	1	Non-return Valve
10	90014420001	2	Assembled Sealing Washer
11	1000940096	1	Bolt
12	1000210018	1	Pre-lubricationg Pump Oil Pipe
13	13034050	2	Assembled Sealing Washer
14	1000885062	1	Gemel Bolt
15	612600013280	1	Pipe Clamp Assembly
16	AZ9003800015	1	Hexagon Head Bolt
17	90011400039	2	Hexagon flange bolt, heavy series
18	77729650A	1	Joint Body
19	15041750D	1	Flange
20	11204940H	1	Gasket
21	90003871248	2	Hexagon Nut
22	90011350030	2	Hexagon Head Bolt
23	77717510E	1	Hand oil pump assembly
24	1000126238	1	Flange
25	1000120356	1	Pipe Joint
26	9000000462	1	O-ring

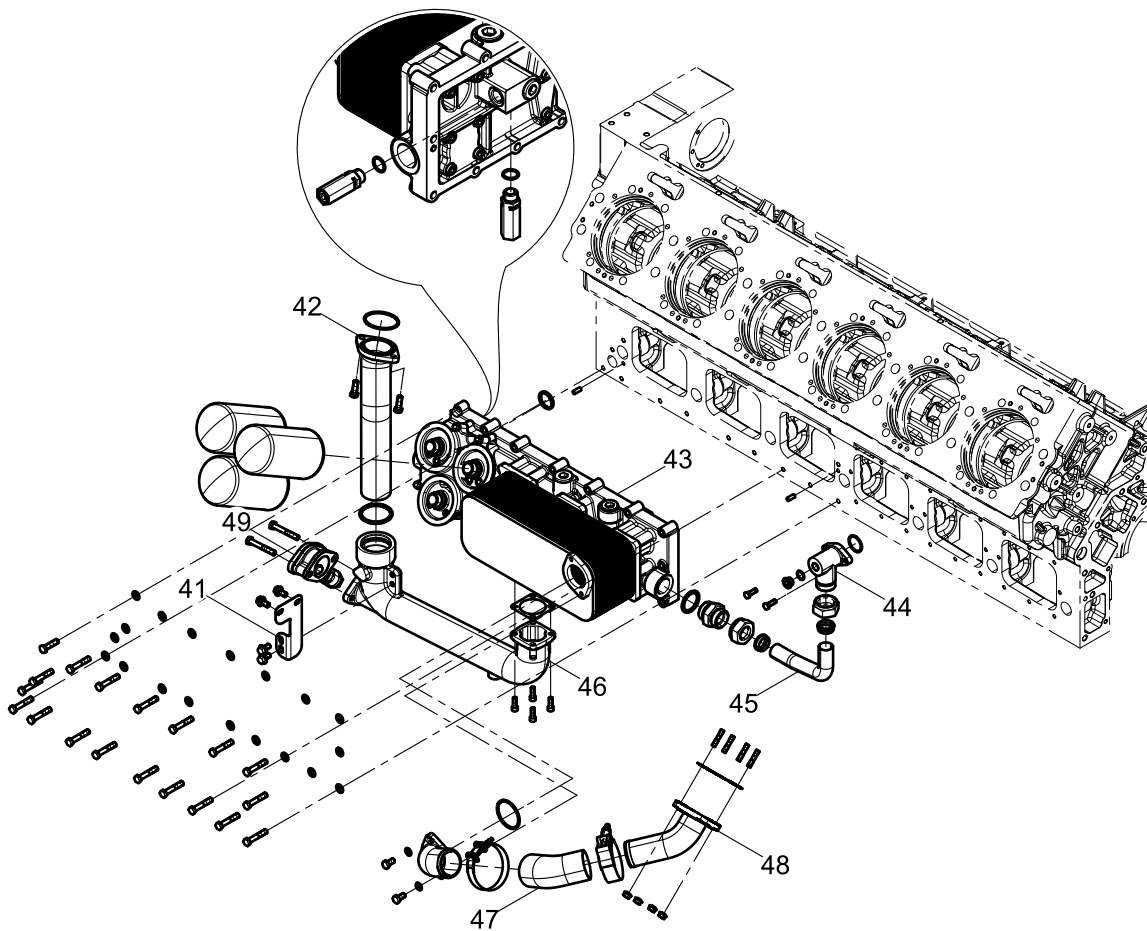
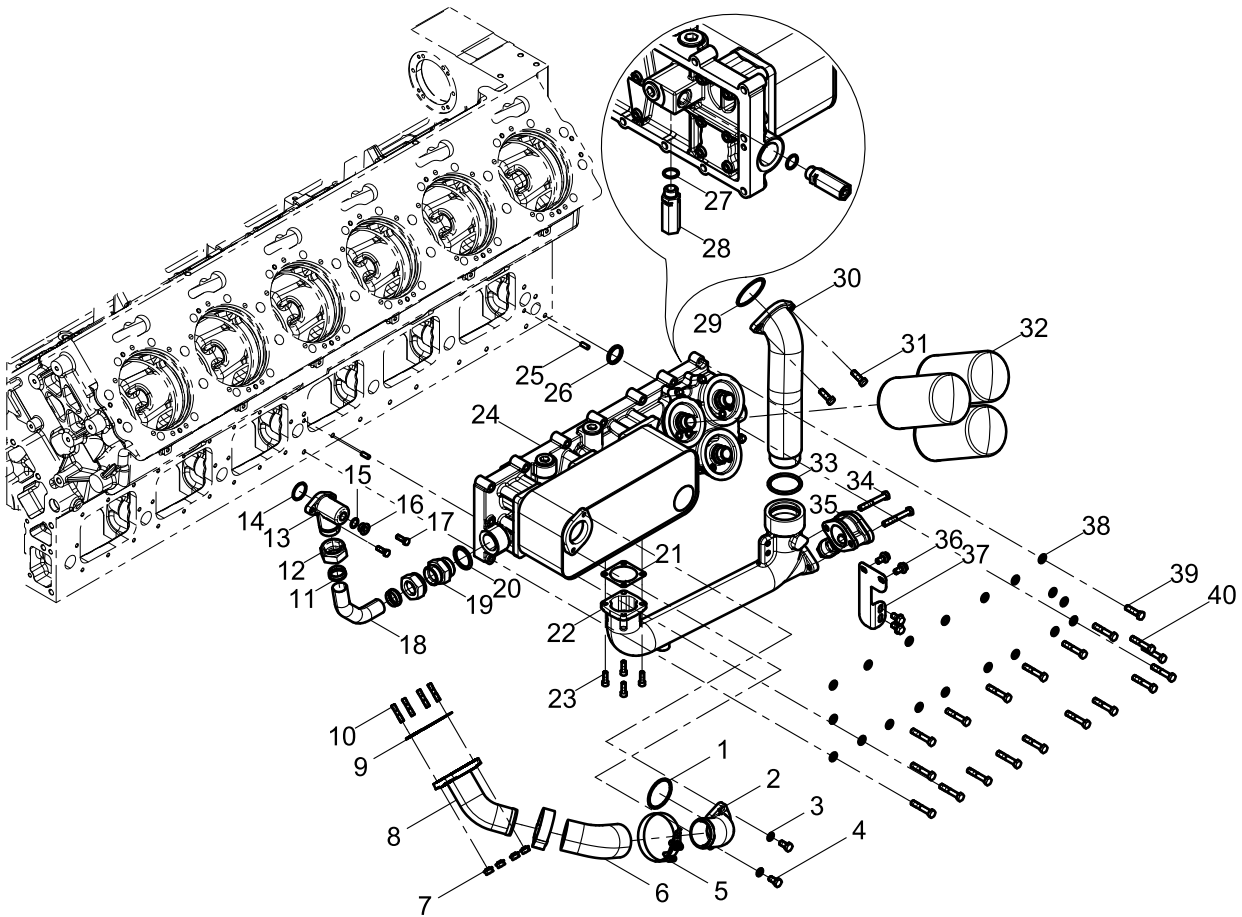
Oil Filter Group



Oil Filter Group

Pos.	Teile.Number	Amount	Designation
1	90017510085	2	O-ring
2	331004000280	2	Water Pipe Connector
3	90014070002	4	Small Series, Plain Washer,
4	90003802543	4	Hexagon Head Bolt
5	612600062208	4	Clamp
6	1000034837	1	Coolant Connecting Rubber Pipe
7	90012290006	4	Hexagon Flange Nut
8	331003000470	1	Oil Cooler Water Pipe
9	331003000181	2	Gasket
10	90011540008	8	Double End Stud
11	90017130003	4	Ferrule
12	90017480004	4	Ferrule 24° Cone Connectors, Nut
13	1000049441	1	Joint Body
14	90017510079	2	O-ring
15	90003098020	1	Washer
16	14400078J	2	Hexagon Taper Screw Plug
17	90003802444	4	Hexagon Head Bolt
18	1000047976	1	Oil Cooler Oil Pipe
19	331004000071	2	Ferrule Straight Thread Elbow-body
20	90014420003	2	Assembled Sealing Washer
21	331003000218	2	Gasket
22	1000054719	1	Oil Cooler Water Pipe
23	90003862428	8	Inner Hexagon Socket Head Cap Screw
24	331004000034	1	Oil Cooler Assembly
25	90015050011	4	Parallel Pin
26	331004000161	2	Sealing Washer
27	90003098029	4	Sealing Washer

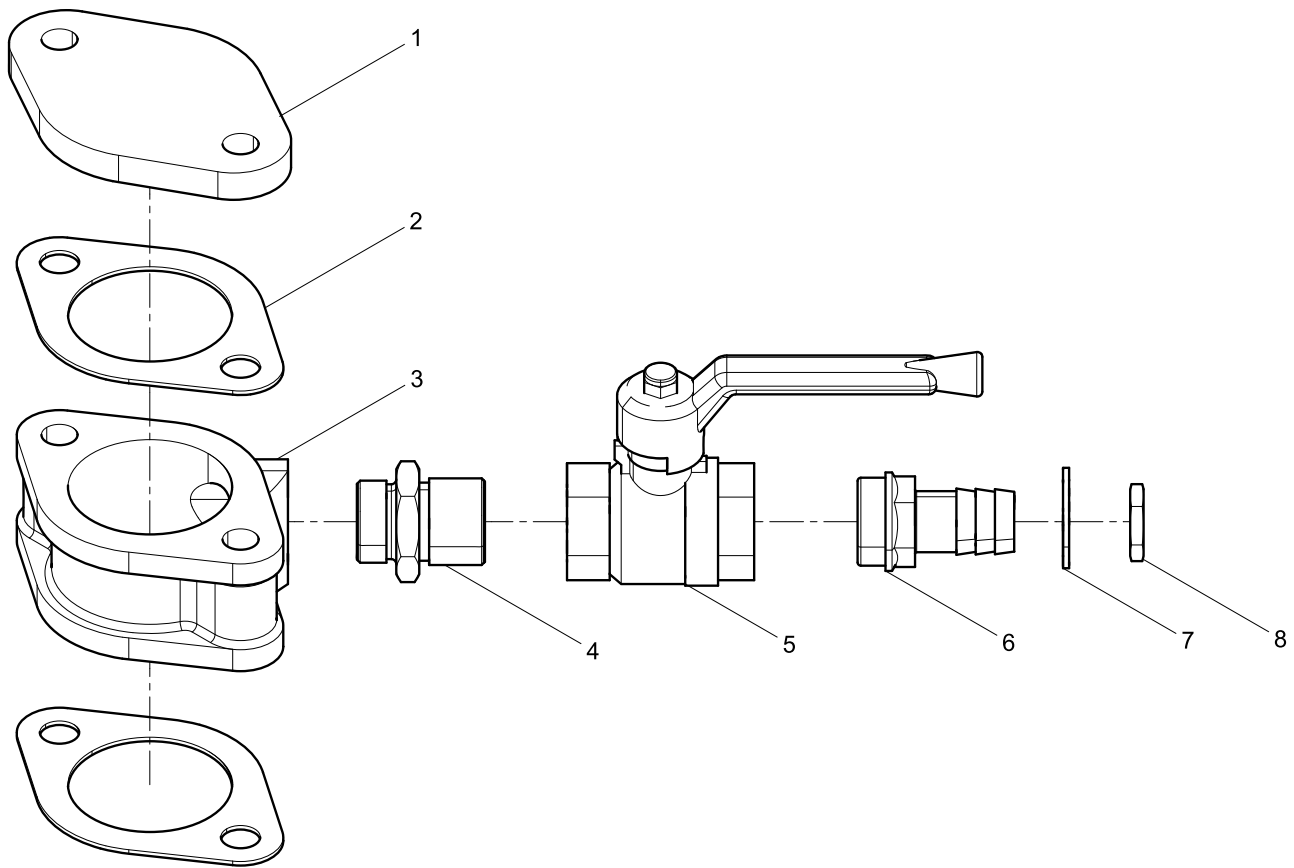
Oil Filter Group



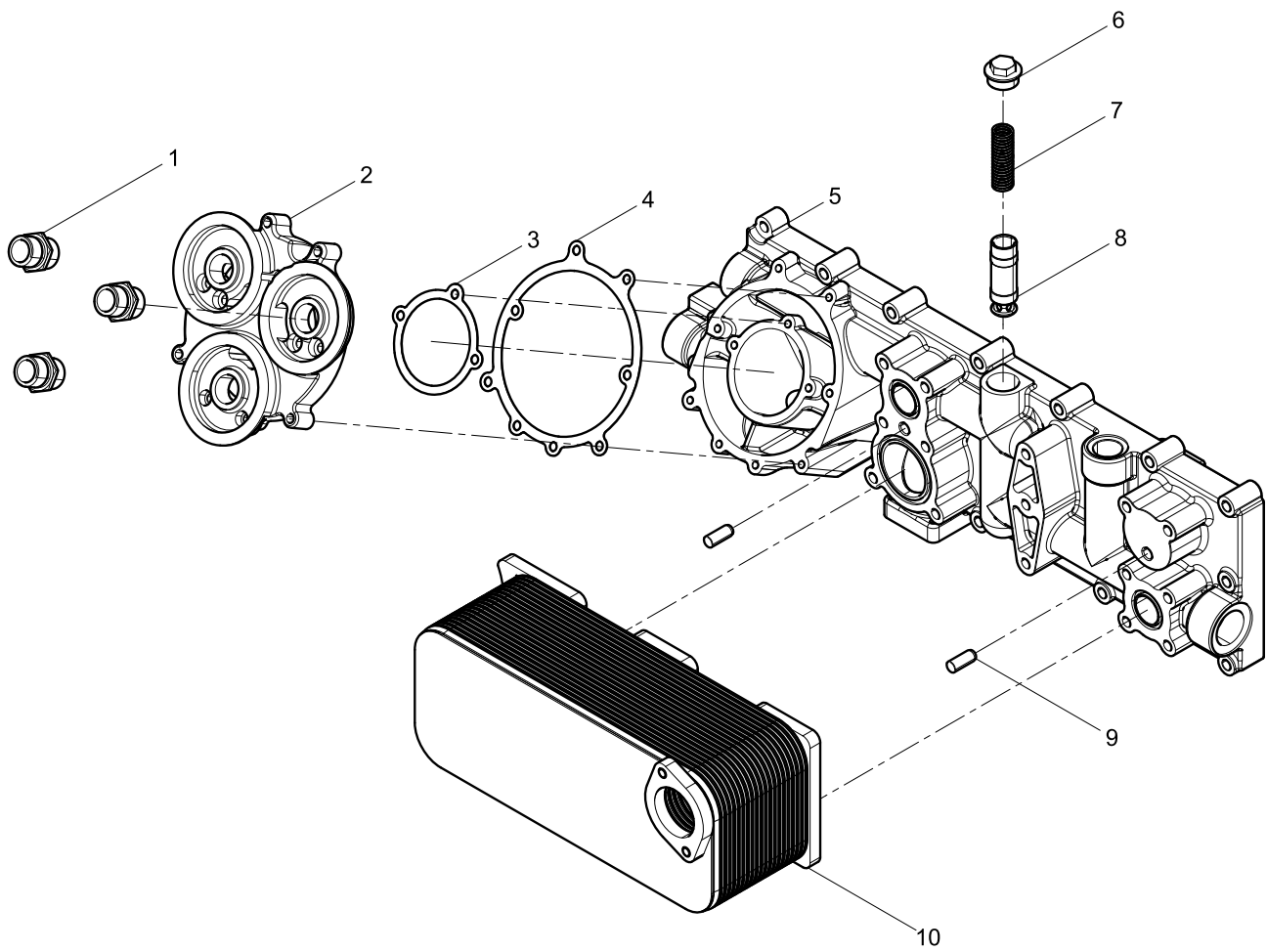
Oil Filter Group

Pos.	Teile.Number	Amount	Designation
28	330204000103	4	Pressure-limiting valve of the main oil passage
29	90017550011	2	O-Ring
30	1000364336	1	Water-outlet Pipe Set
31	90003802527	4	Hexagon Head Bolt
32	612630010506	6	Oil Filter
33	90017510050	2	O-ring
34	90003802558	4	Hexagon Head Bolt
35	331003000553	1	Emergency Water Valve Set
36	90011400027	8	Hexagon Flange Bolt
37	1000127013	1	Water Pipe Bracket
38	90014020001	38	Plain Washer
39	90003802536	2	Hexagon Head Bolt
40	90003800551	36	Hexagon Head Bolt
41	1000127014	1	Water Pipe Bracket
42	1000364354	1	Water-outlet Pipe Set
43	331004000032	1	Oil Cooler Assembly
44	331004000070	1	Joint Body
45	331004000150	1	Oil Cooler Water Pipe
46	1000054720	1	Oil Cooler Water Pipe
47	331003000455	1	Coolant Connecting Rubber Pipe
48	331003000469	1	Oil Cooler Water Pipe
49	331003000554	1	Emergency Water Valve Set

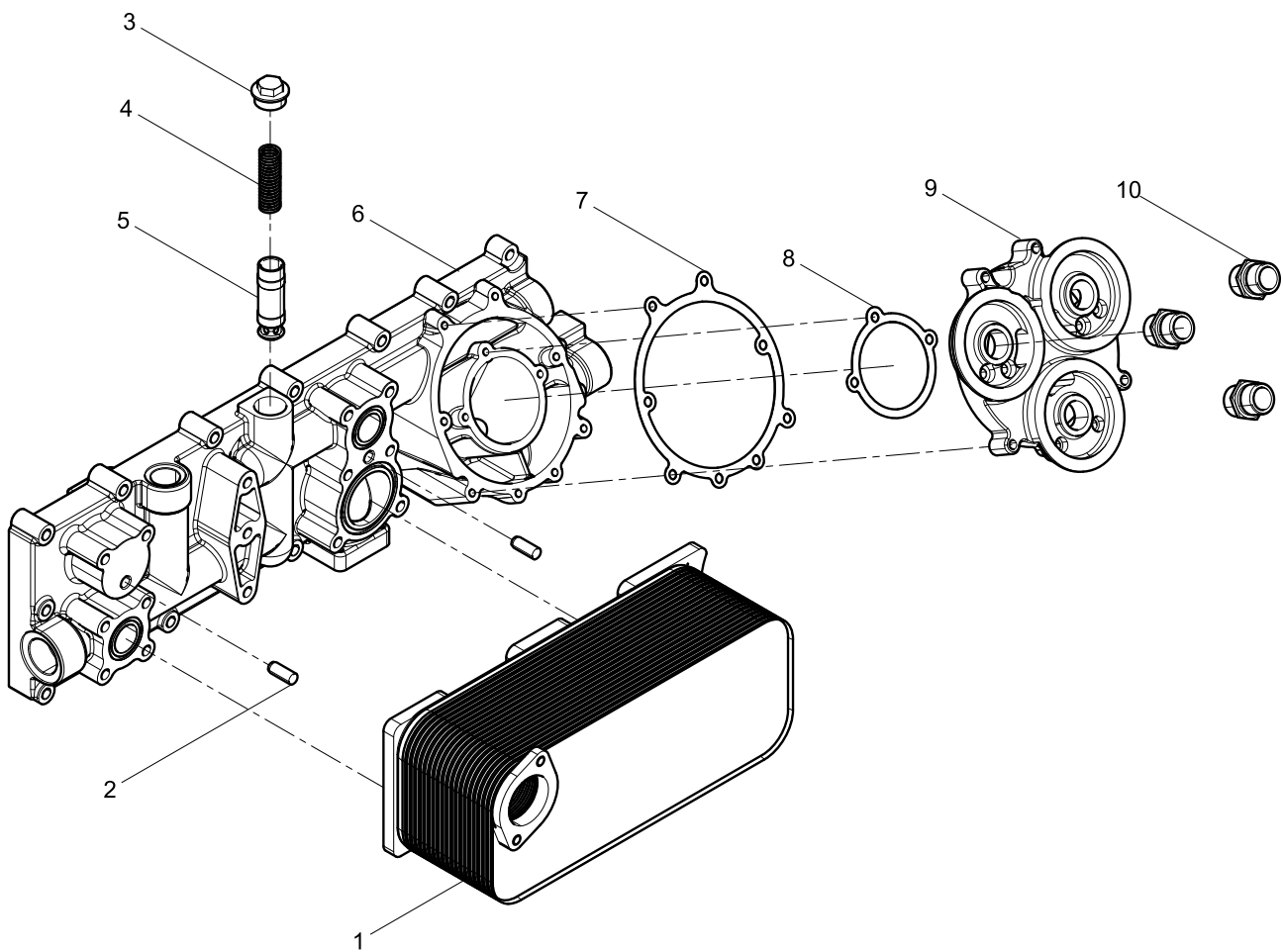
Emergency Water Valve Set



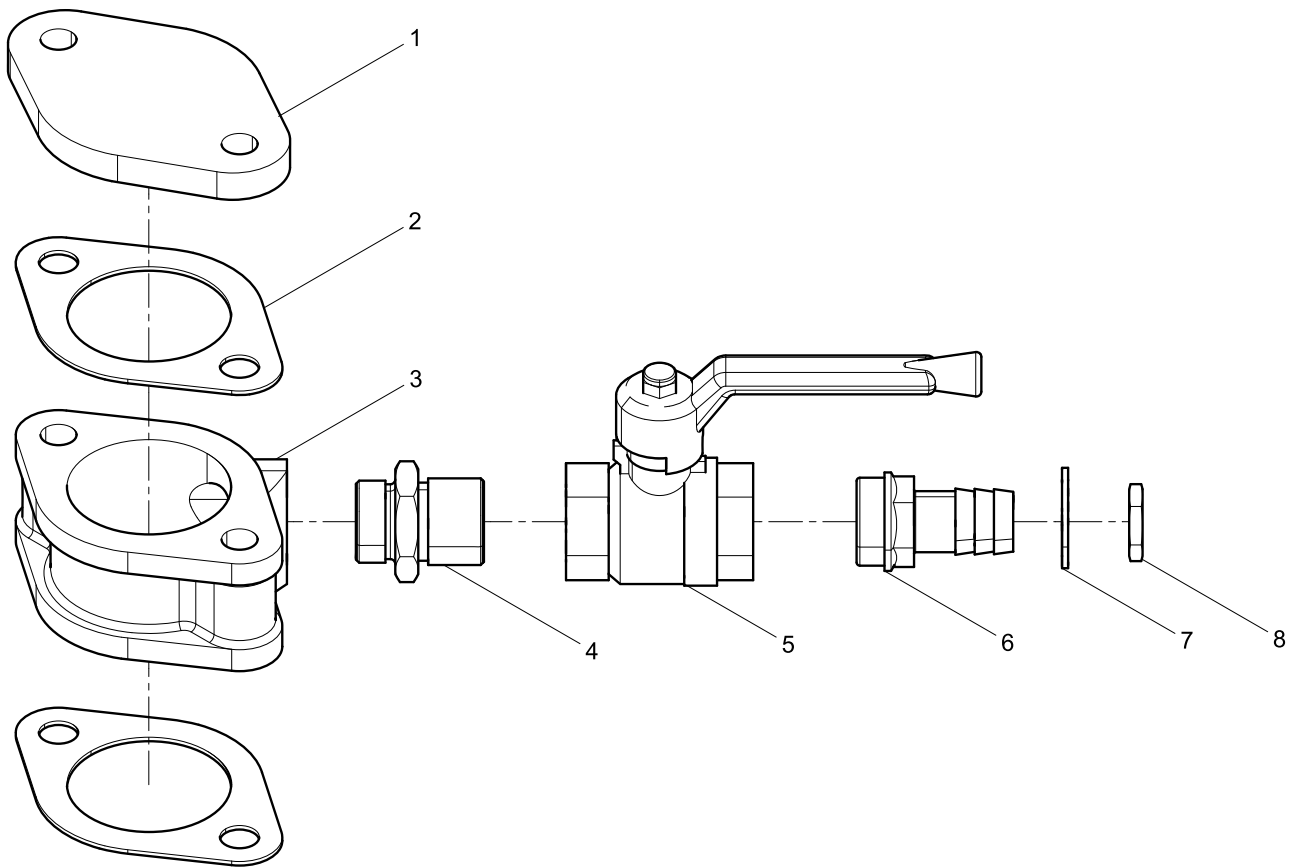
Oil Cooler Assembly



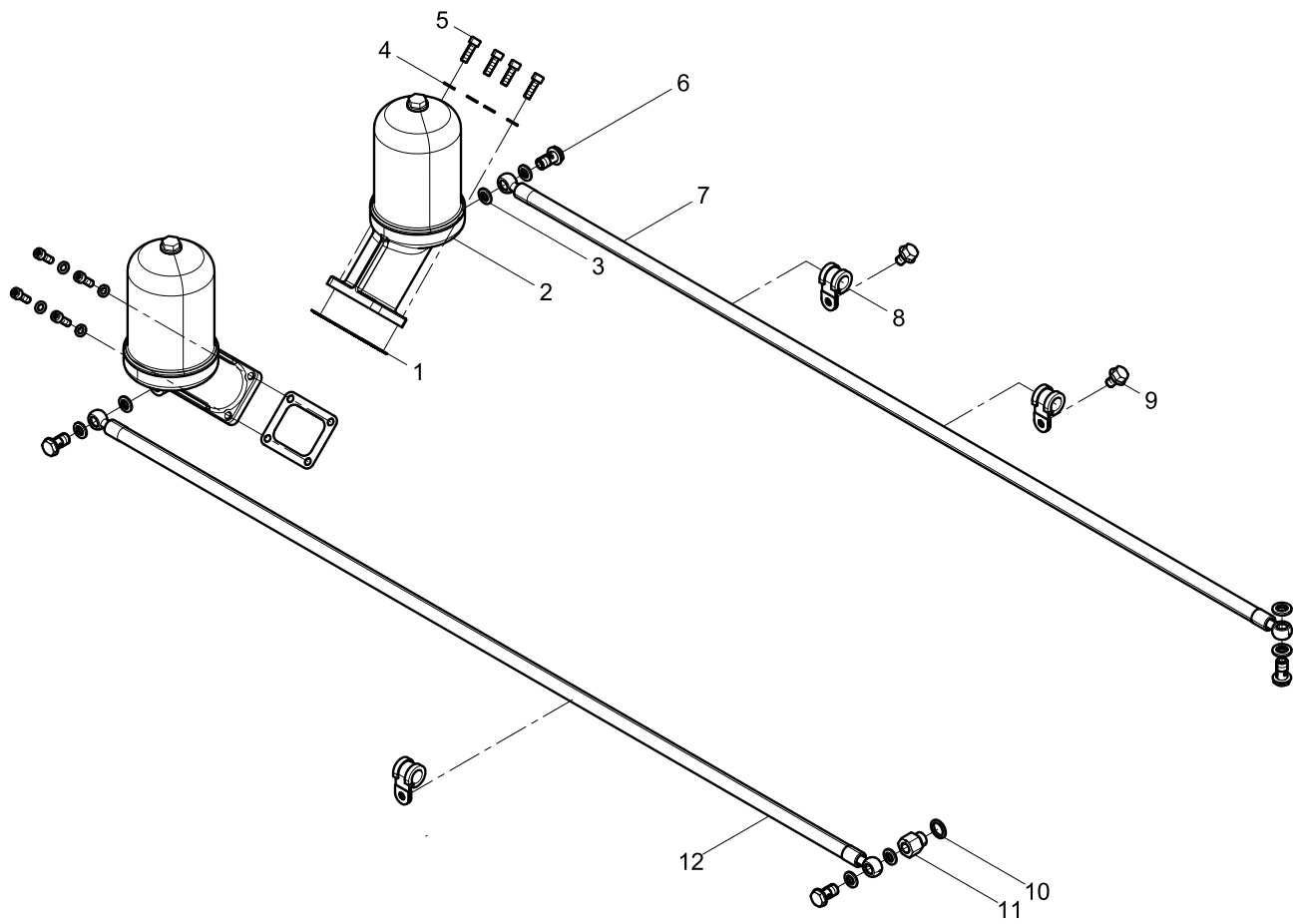
Oil Cooler Assembly



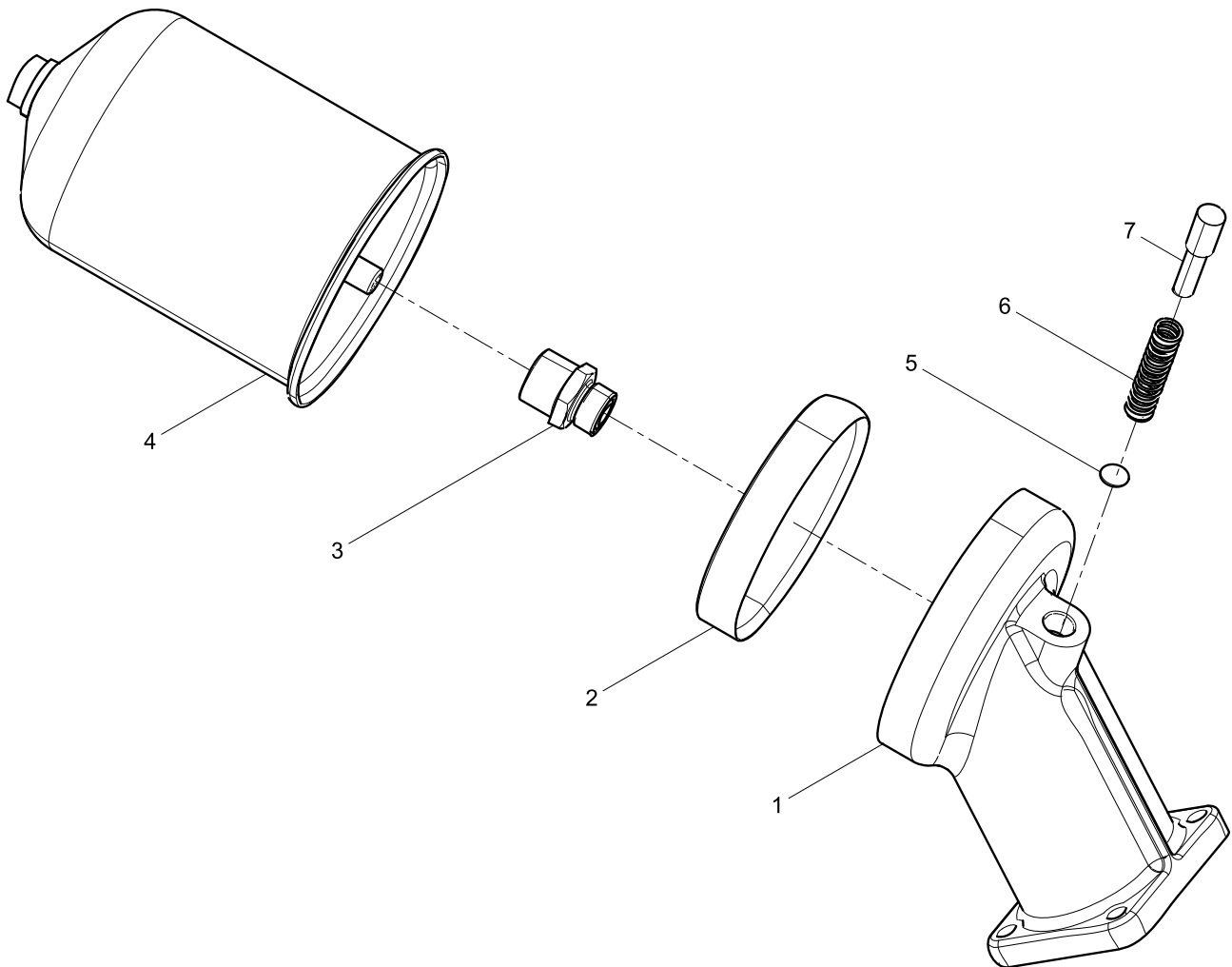
Emergency Water Valve Set



Rotating Centrifugal Lubricating Oil Filter group



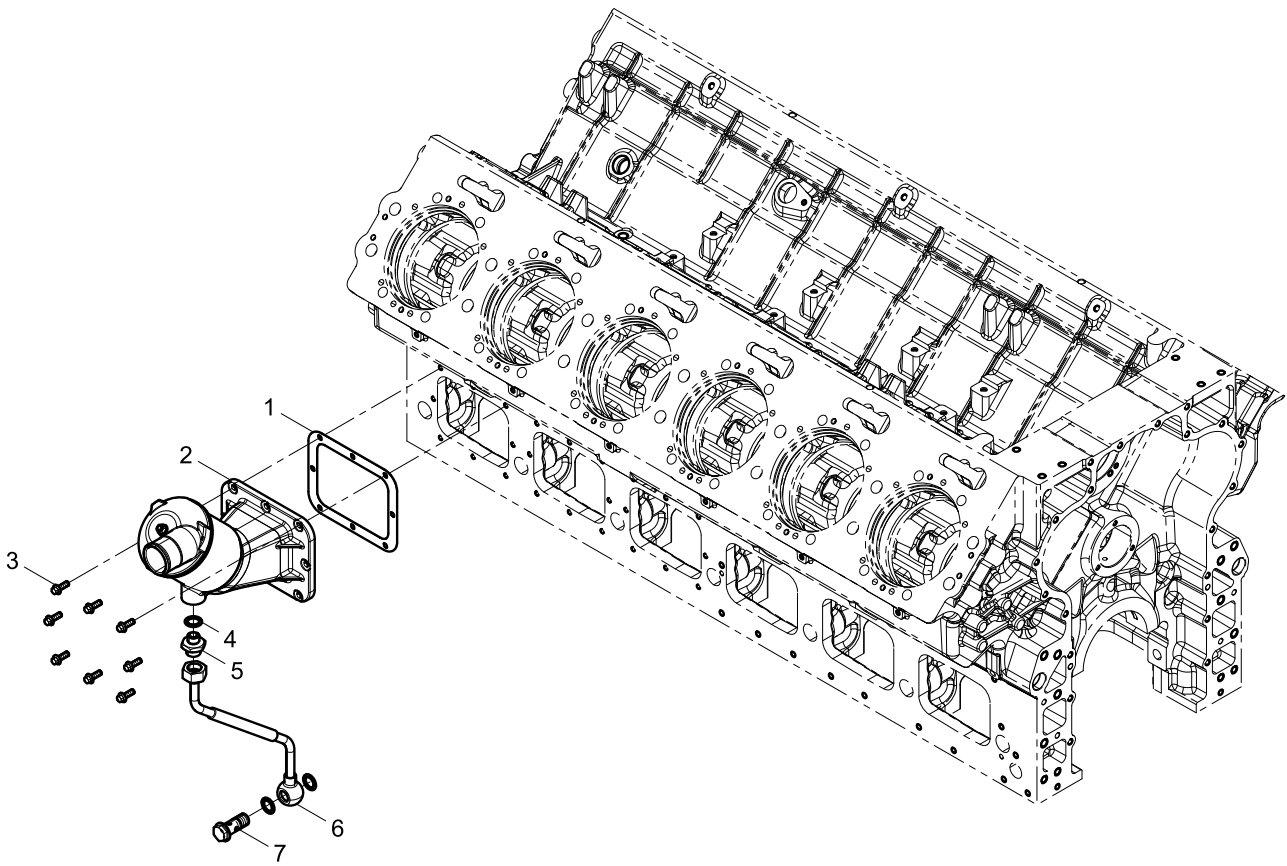
Rotating Centrifugal Lubricating Oil Filter assembly



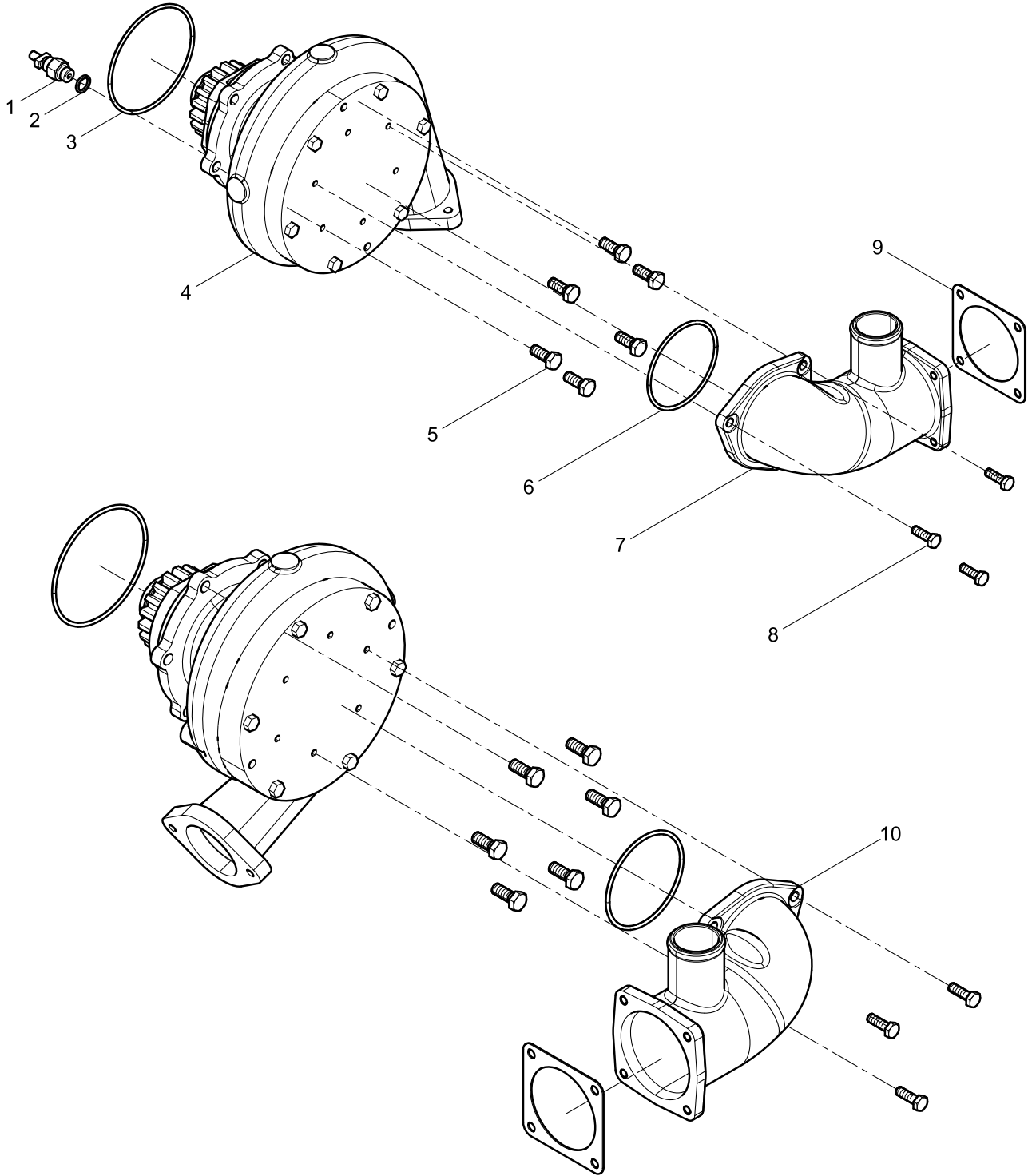
Rotating Centrifugal Lubricating Oil Filter assembly

Pos.	Teile.Number	Amount	Designation
1	15041350T	2	Oil Filter Seat
2	15041310A	2	Washer
3	15041230N	2	Oil Filter Seat
4	15540390D	2	Spin-on Cartridge Lubricating Oil Filter
5	15041370Q	2	Gasket
6	15041220C	2	Oil Pump Safety Valve Spring
7	15041270G	2	Valve Core

Oil-gas Separator Group



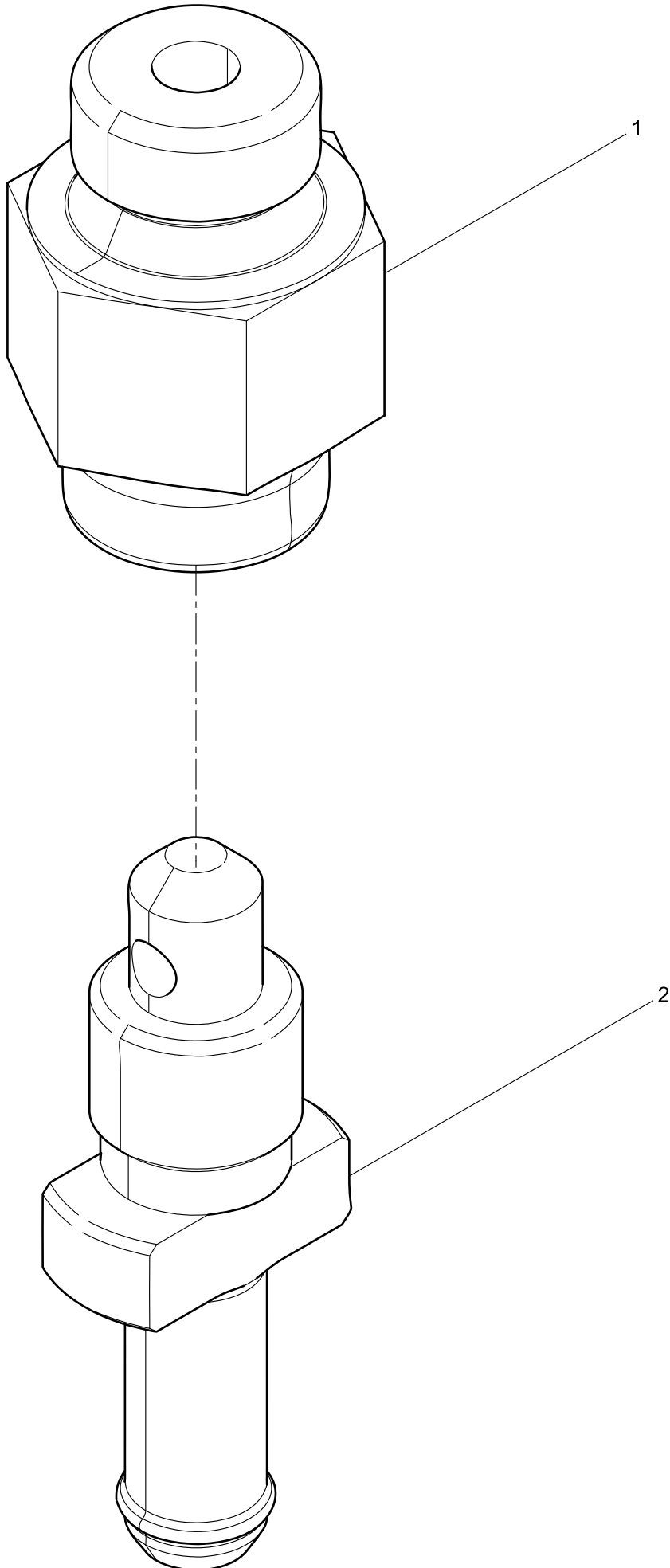
Water Pump Group



Water Pump Group

Pos.	Teile.Number	Amount	Designation
1	1001312338	1	Water Draining Valve
2	90014400004	1	Sealing Washer
3	90017510078	2	O-ring
4	331003000086	2	Water Pump
5	90011350084	12	Hexagon Head Bolt
6	90017510077	2	O-ring
7	331003000220	1	Water Pump Water Pipe
8	90003802438	6	Hexagon Head Bolt
9	331003000223	2	Gasket
10	331003000219	1	Water Pump Water Pipe

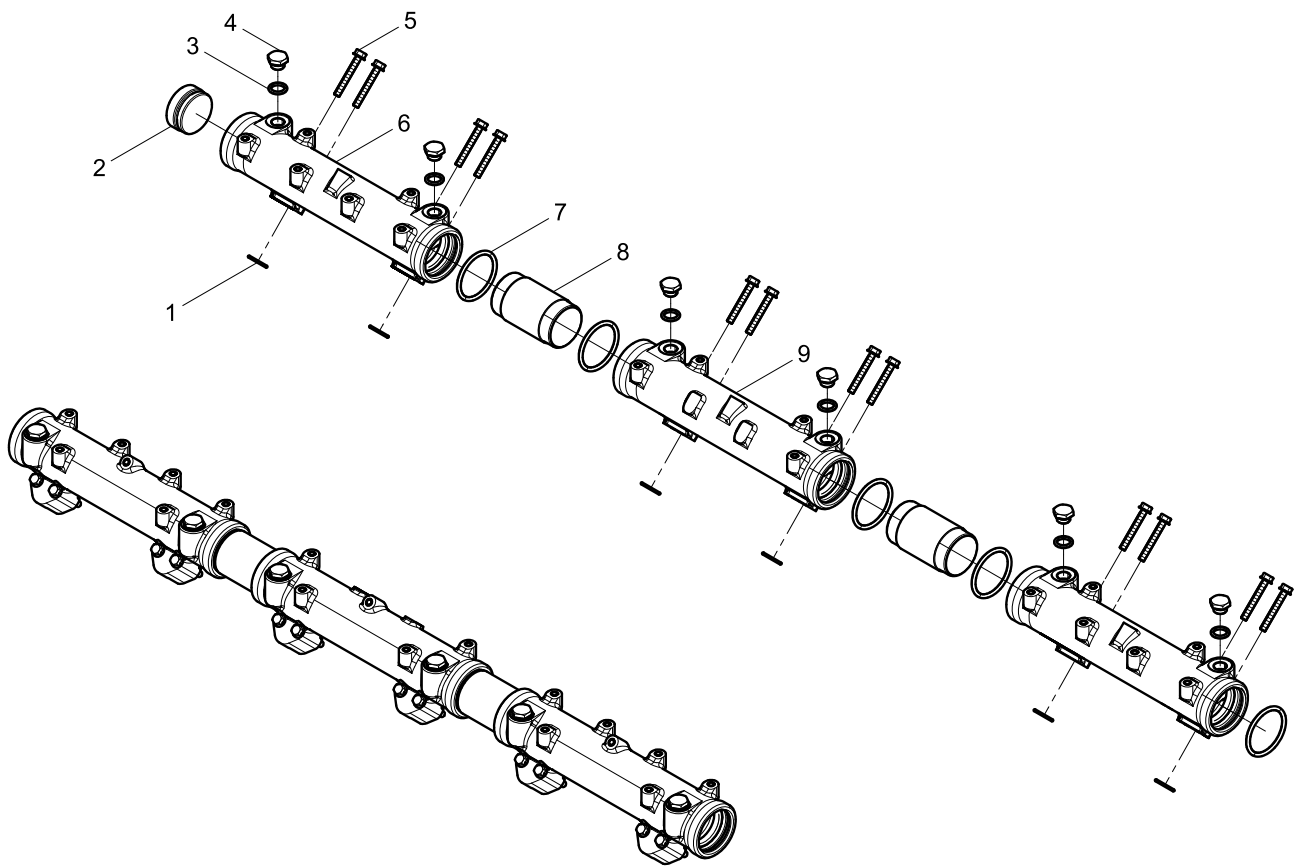
Water Draining Valve



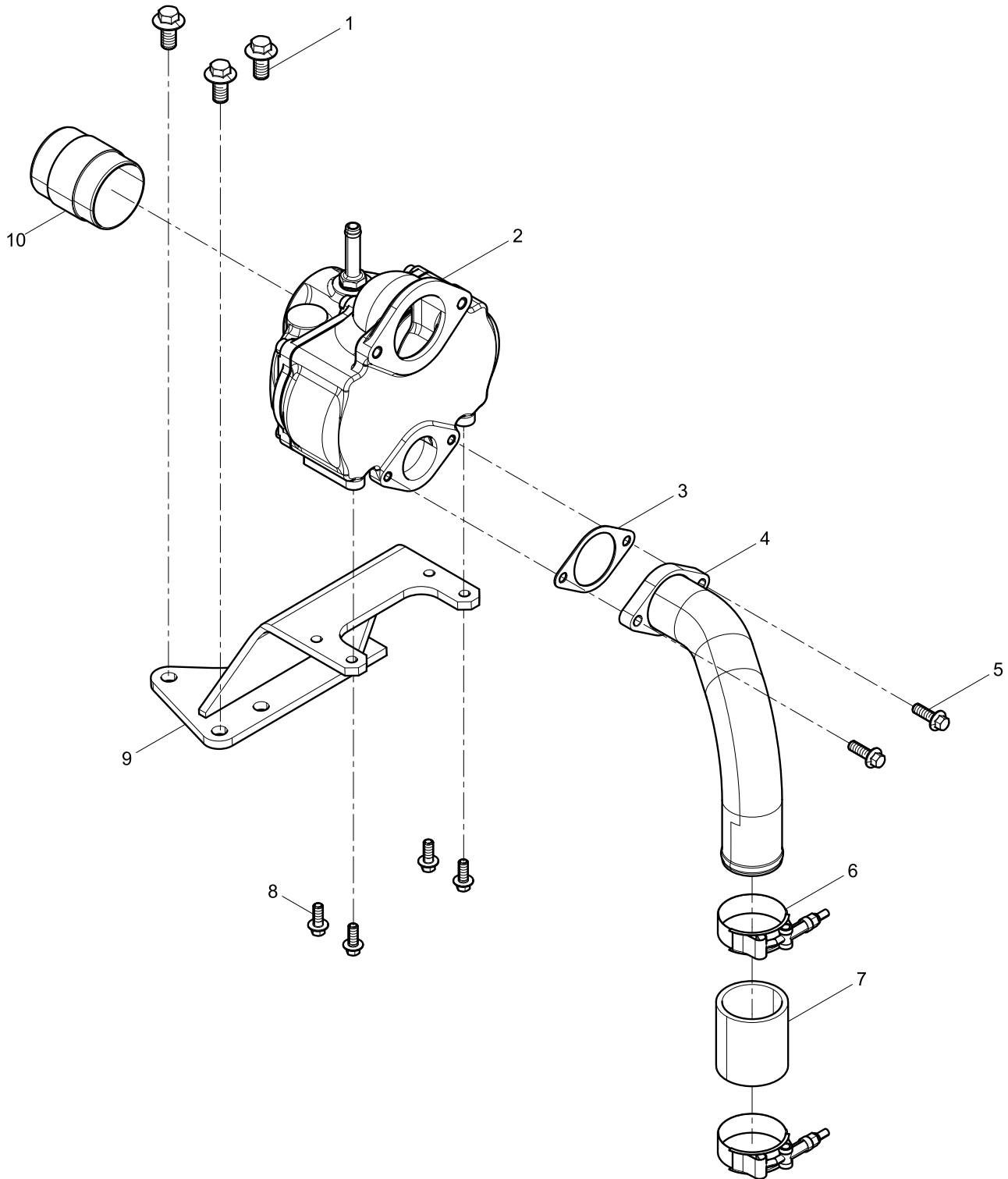
Water Draining Valve

Pos.	Teile.Number	Amount	Designation
1	1001330598	1	Valve Body
2	1001330597	1	Valve Core

Water Outlet Pipe Group



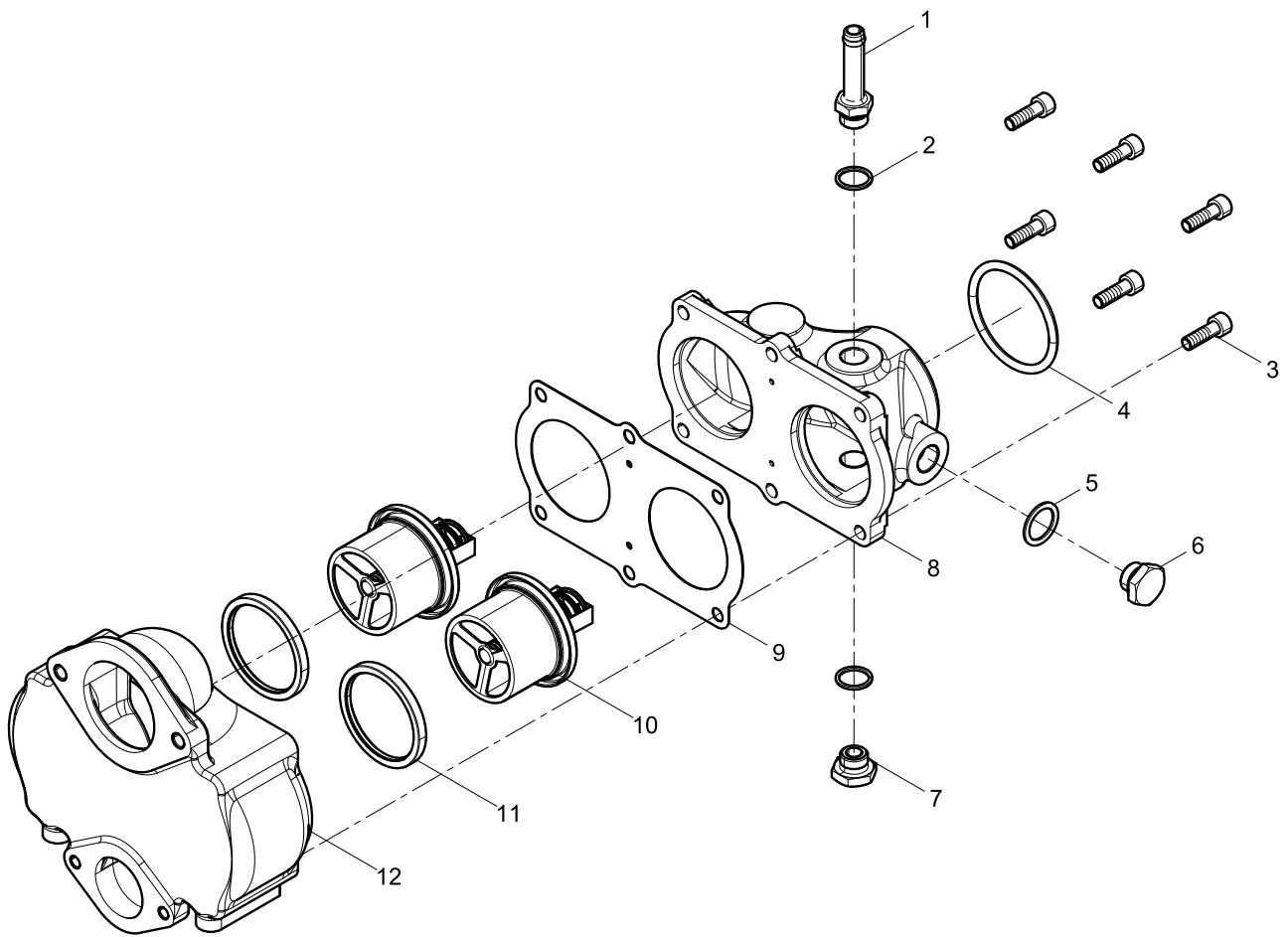
Left thermostat group



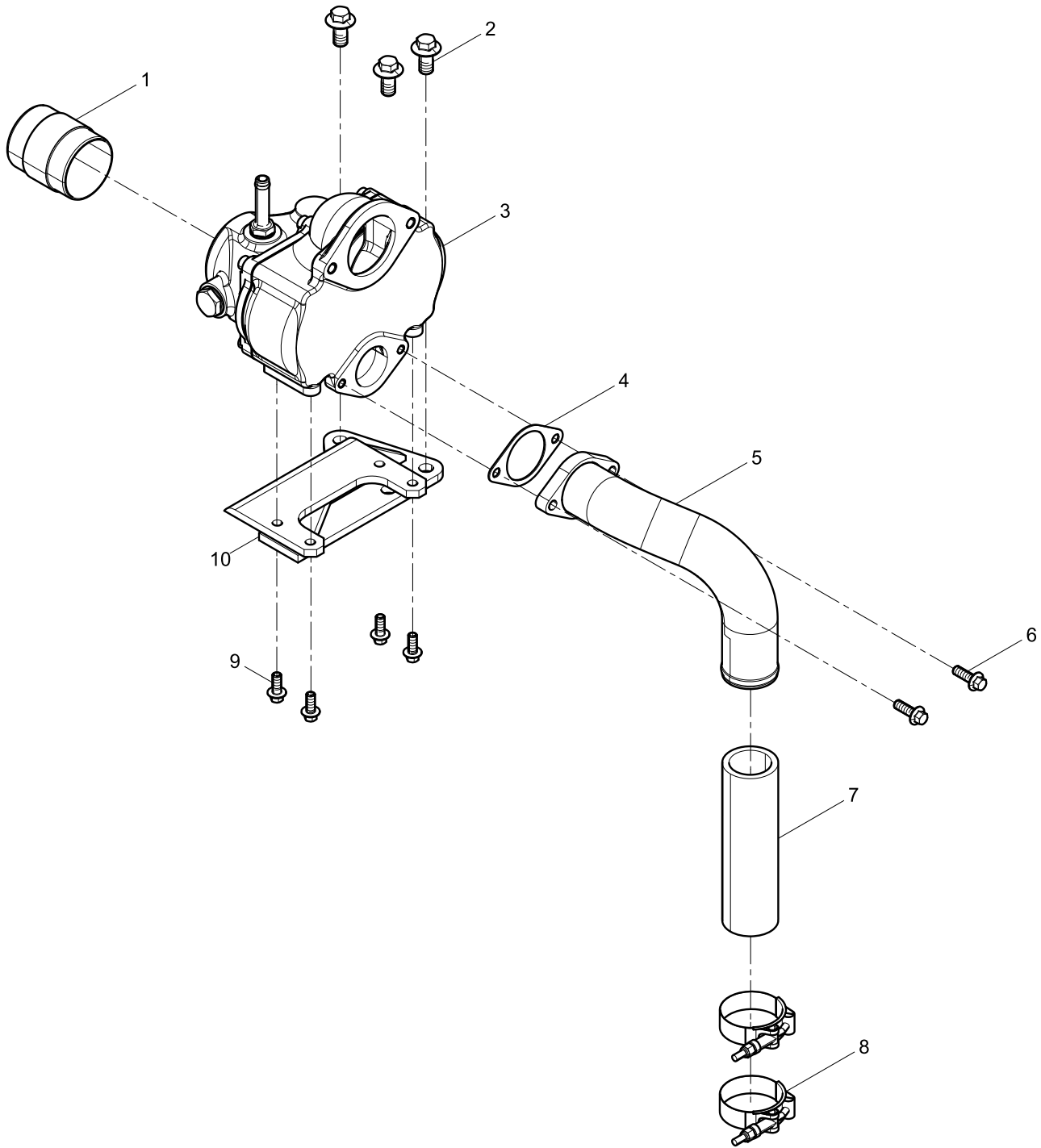
Left thermostat group

Pos.	Teile.Number	Amount	Designation
1	90011420006	3	Hexagon Flange Bolt
2	330203000454	1	Thermostat Assembly
3	331003000745	1	Gasket
4	331003000463	1	Water Pump Water Pipe Assembly
5	90011430001	2	Hexagon Flange with Tooth Bolt
6	612600062206	2	Clamp
7	81500060015	1	Coolant Connecting Rubber Pipe
8	90011430016	4	Hexagon Flange with Tooth Bolt
9	331003000210	1	Thermostat Bracket
10	15033660K	1	Water Pipe

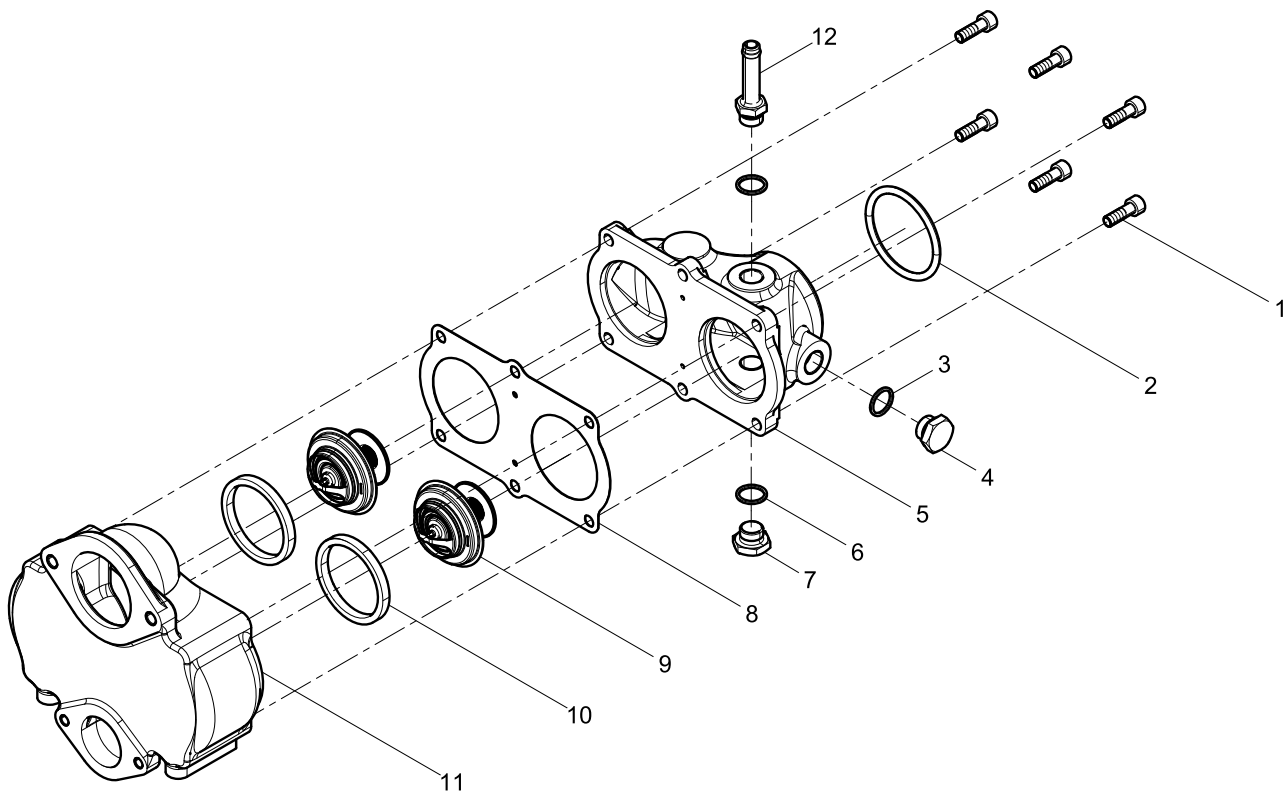
Thermostat Assembly



Right thermostat group



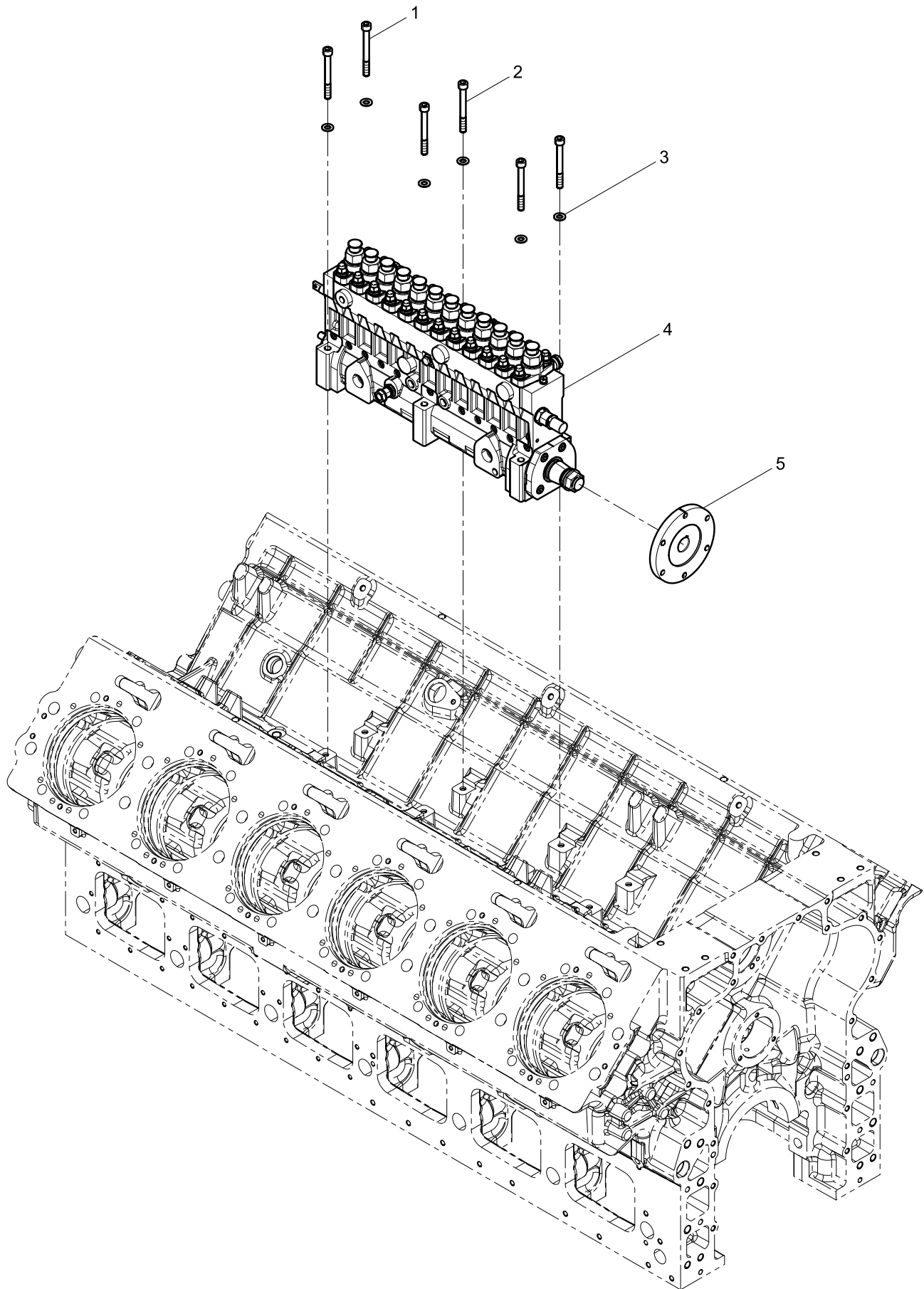
Thermostat Assembly



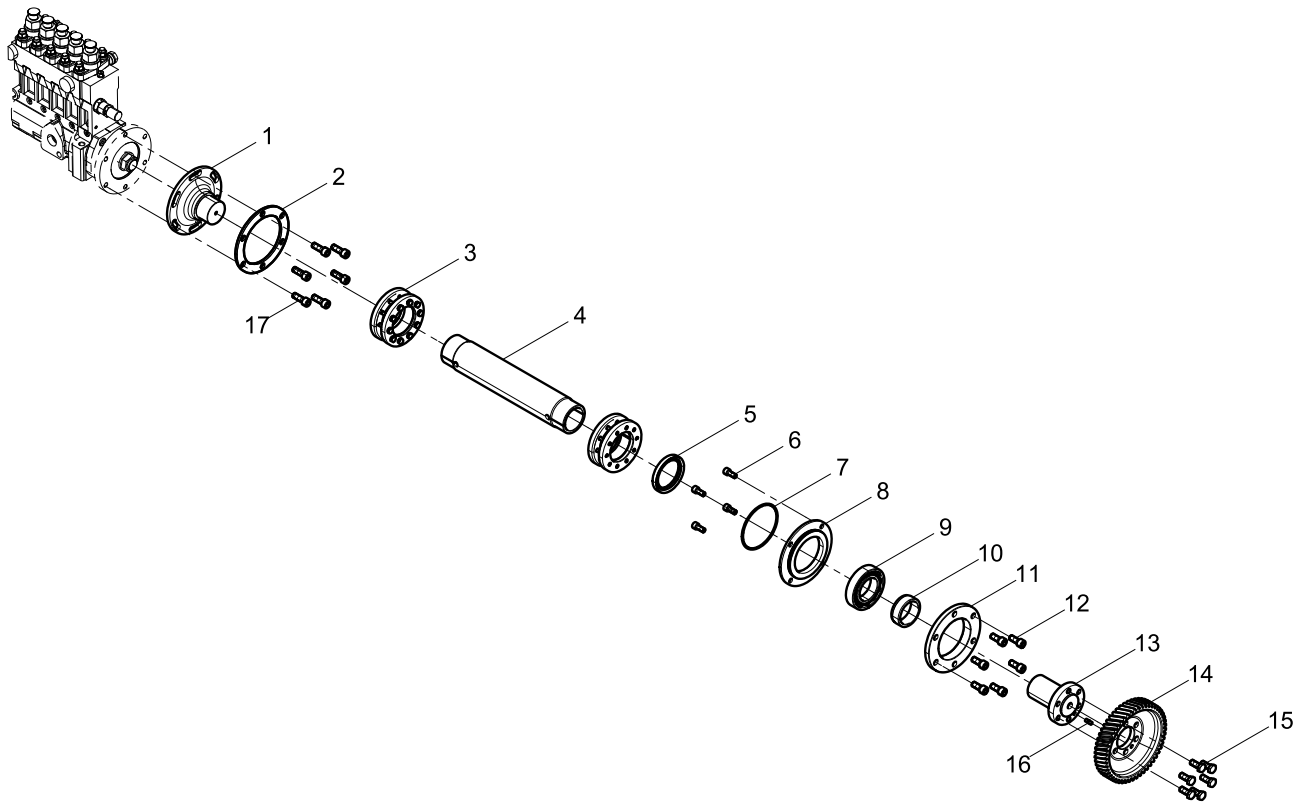
Thermostat Assembly

Pos.	Teile.Number	Amount	Designation
1	90013050036	6	Inner Hexagon Socket Head Cap Screw
2	90017510050	1	O-ring
3	77707700R	1	Gasket
4	11230560F	1	Screw Plug
5	330203000072	1	Thermostat Cover
6	90003098020	2	Washer
7	3302030000407	1	Conversion Adapter
8	15032770S	1	Gasket
9	14230430J	2	Thermostat
10	15032070G	2	Seal Ring
11	330203000076	1	Thermostat Body
12	330203000255	1	Pipe Joint

Fuel Injection Pump Group



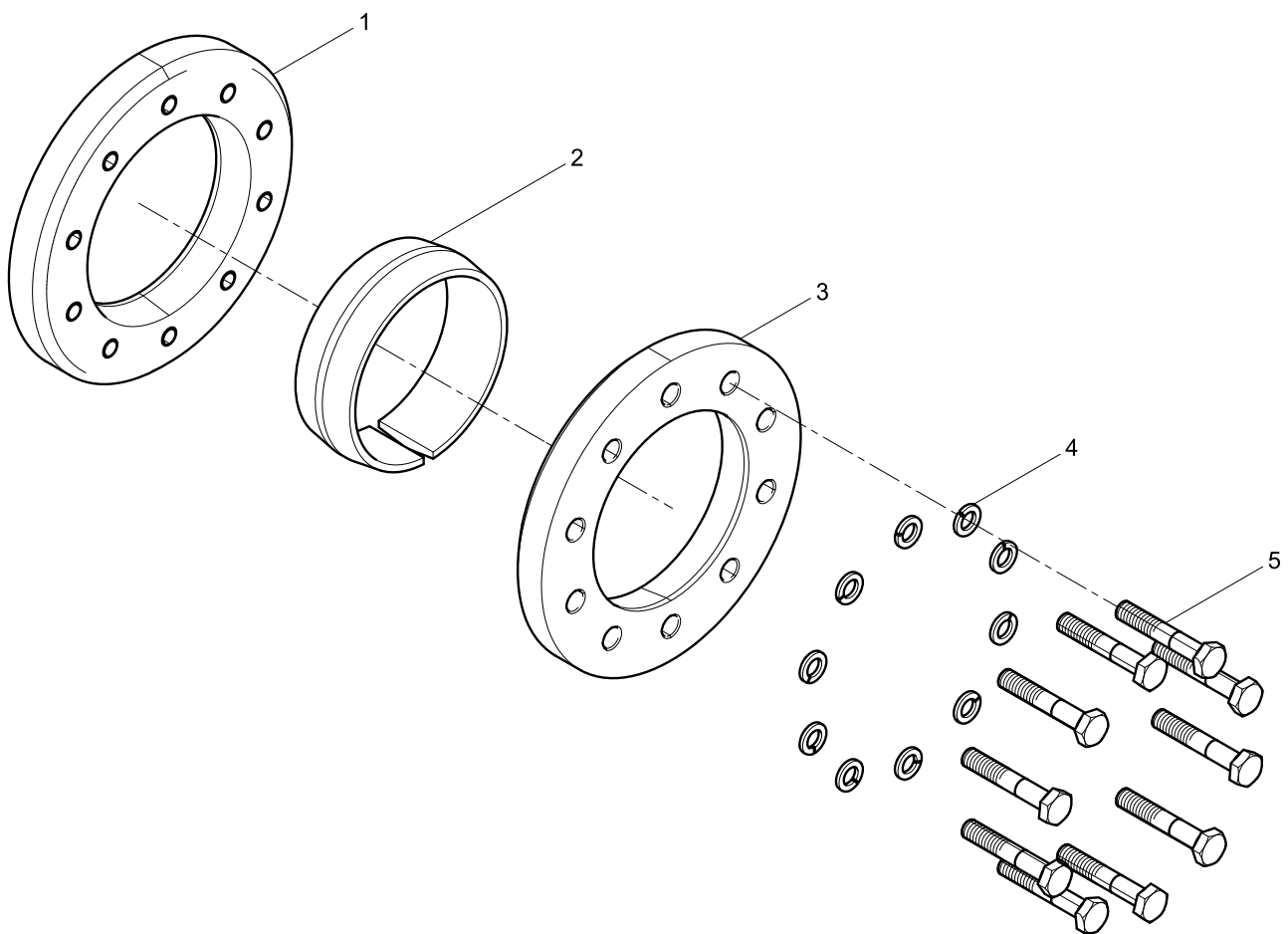
Fuel Injection Pump Drive shaft group



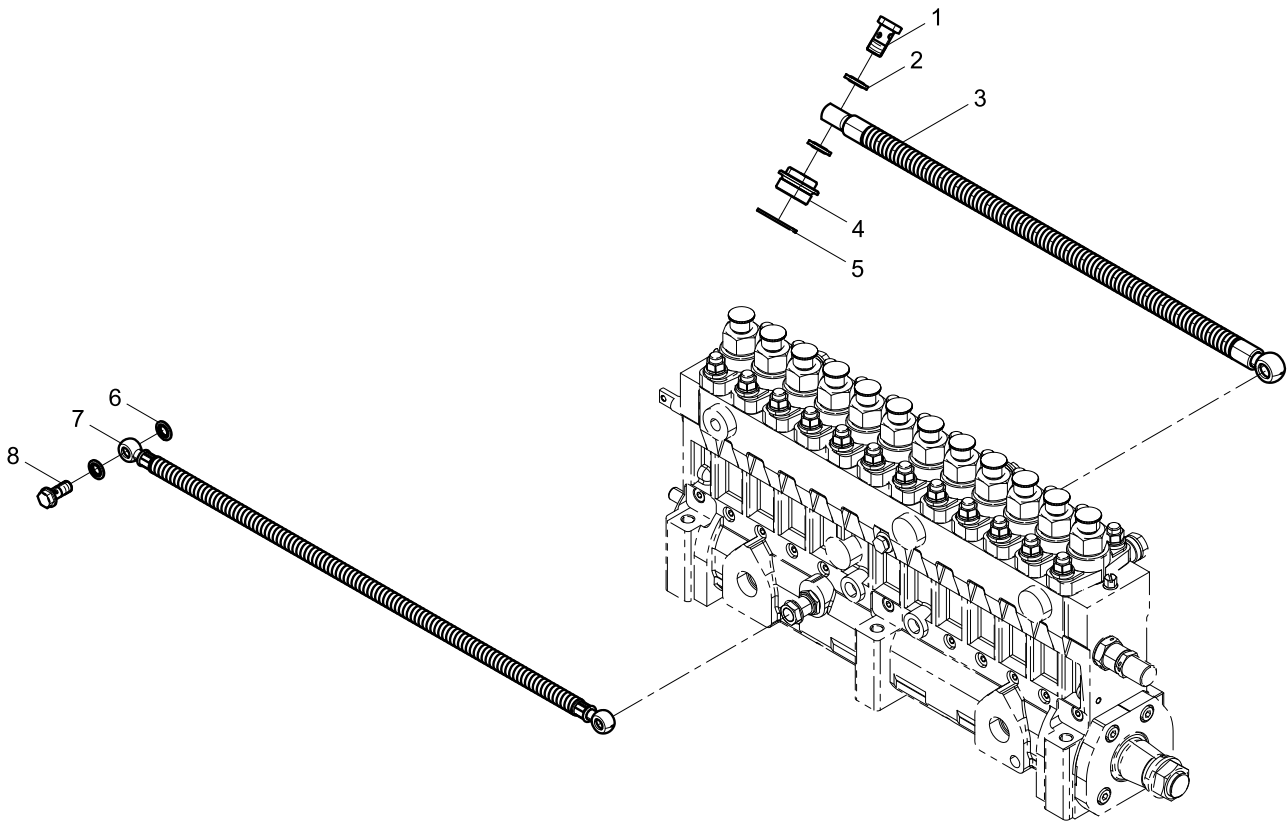
Fuel Injection Pump Drive shaft group

Pos.	Teile.Number	Amount	Designation
1	15052360L	1	Coupling sheath
2	15052410Q	1	Washer
3	15052380H	2	Connecting Plate
4	330205000361	1	Pipe
5	77700861H	1	Skeleton Type Rubber Oil Seal
6	90013550027	4	Inner Hexagon Socket Head Cap Screw
7	90017510055	1	O-ring
8	15052400E	1	Bearing Cover
9	77840350B	1	Self-aligning Roller Bearing
10	330205000364	1	Friction ring
11	15052330D	1	Bearing Seat
12	90013050070	6	Inner Hexagon Socket Head Cap Screw
13	15052350A	1	Shaft casing
14	331002000048	1	Fuel Injection Pump Gear
15	90011350084	6	Hexagon Head Bolt
16	90019230004	1	Grooved Pin
17	90013050042	6	Inner Hexagon Socket Head Cap Screw

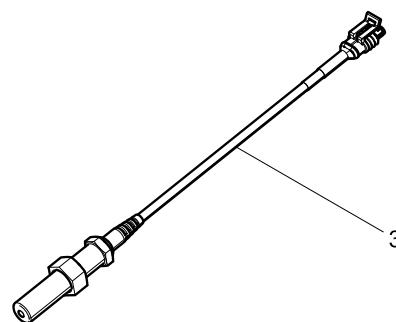
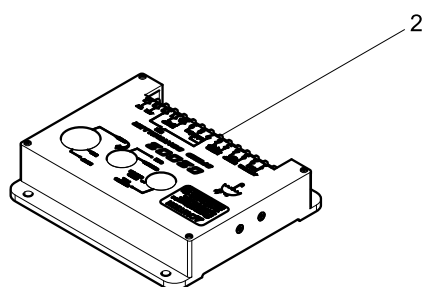
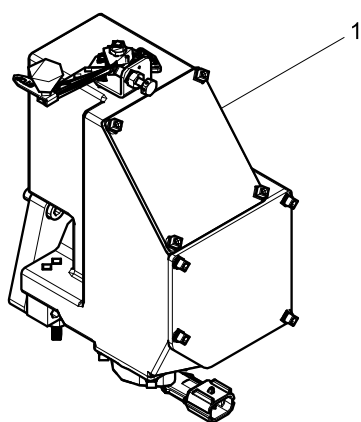
Connecting Plate



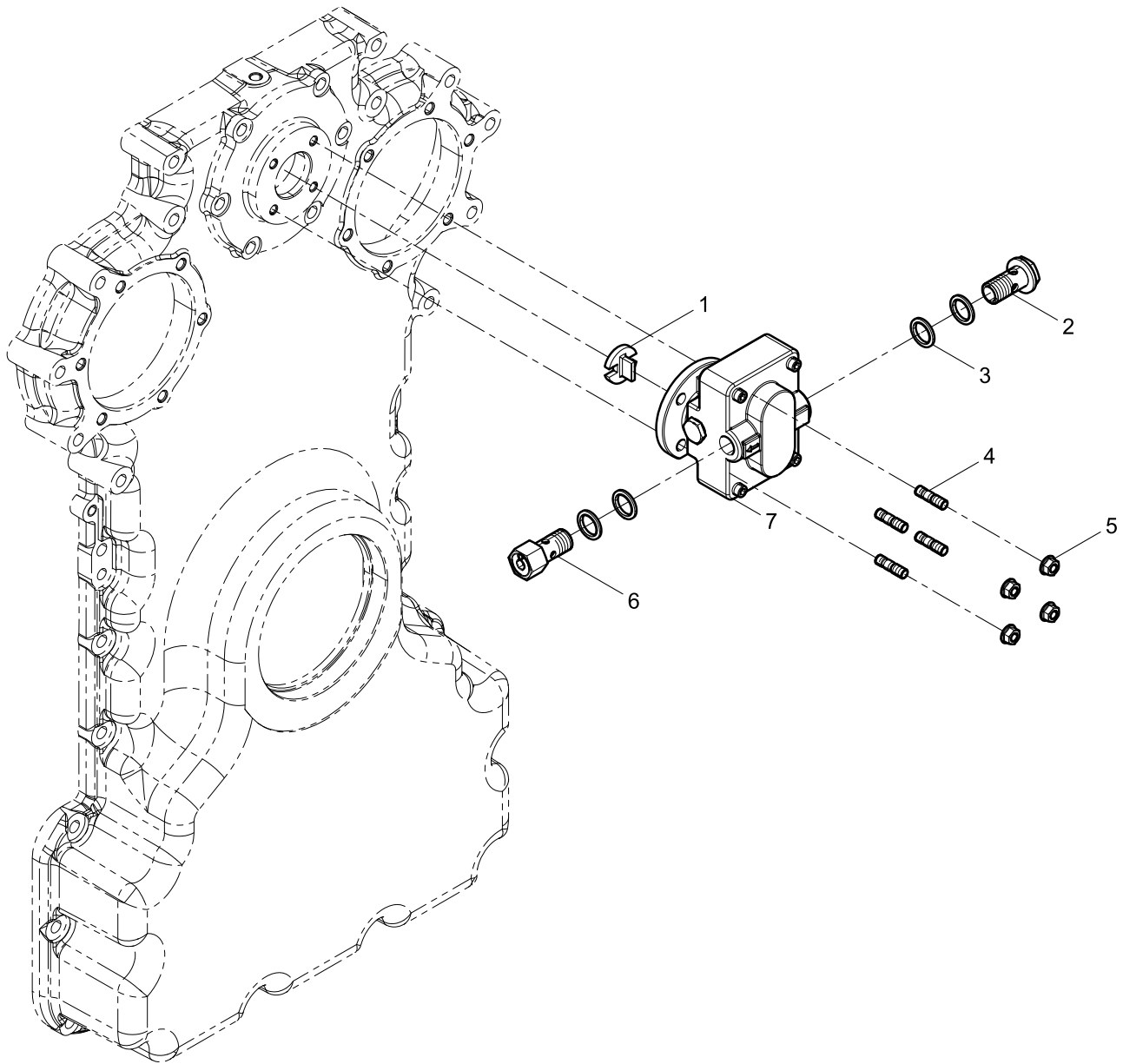
Fuel Injection Pump Oil Pipe Group



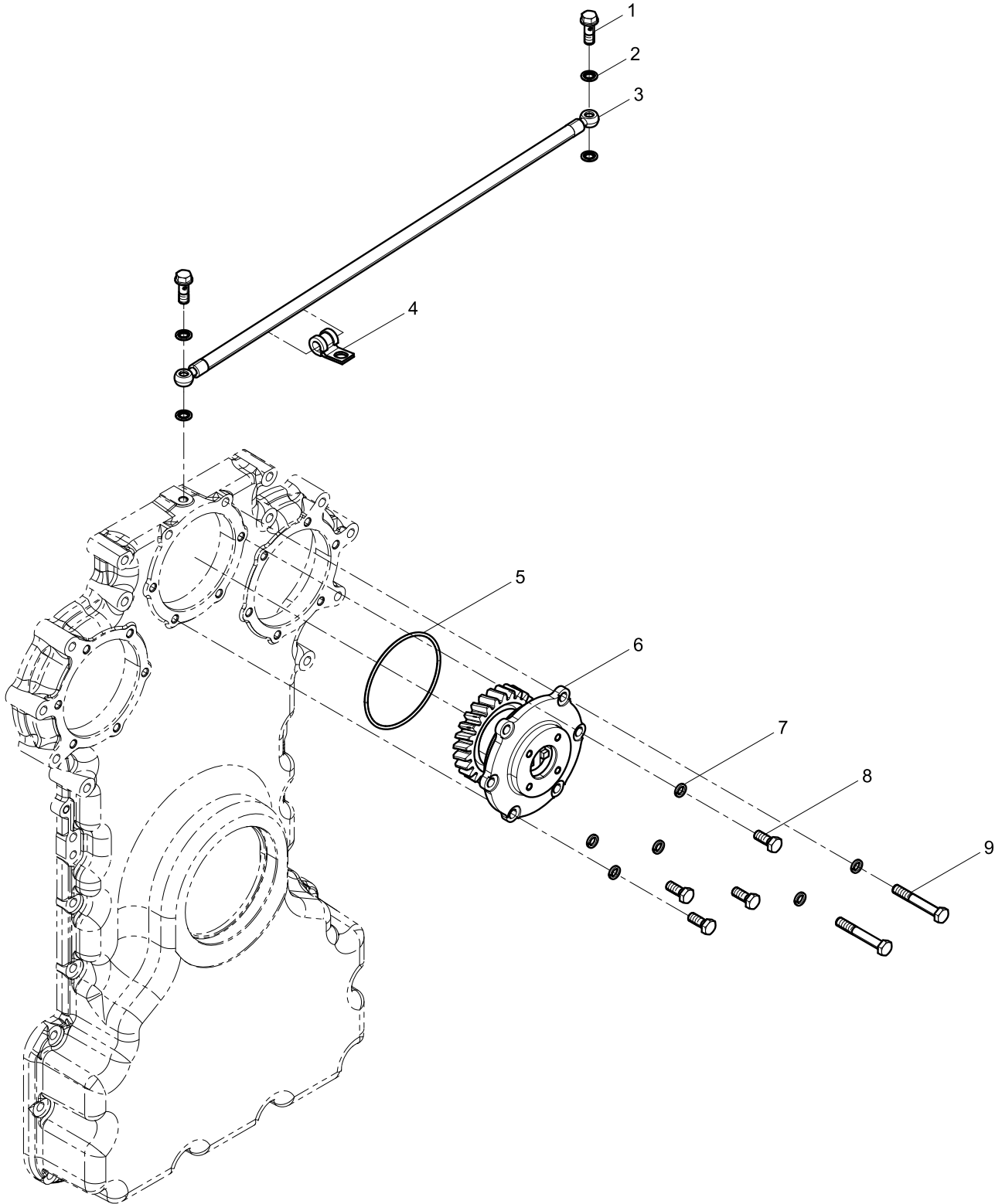
Electronic Governor Group



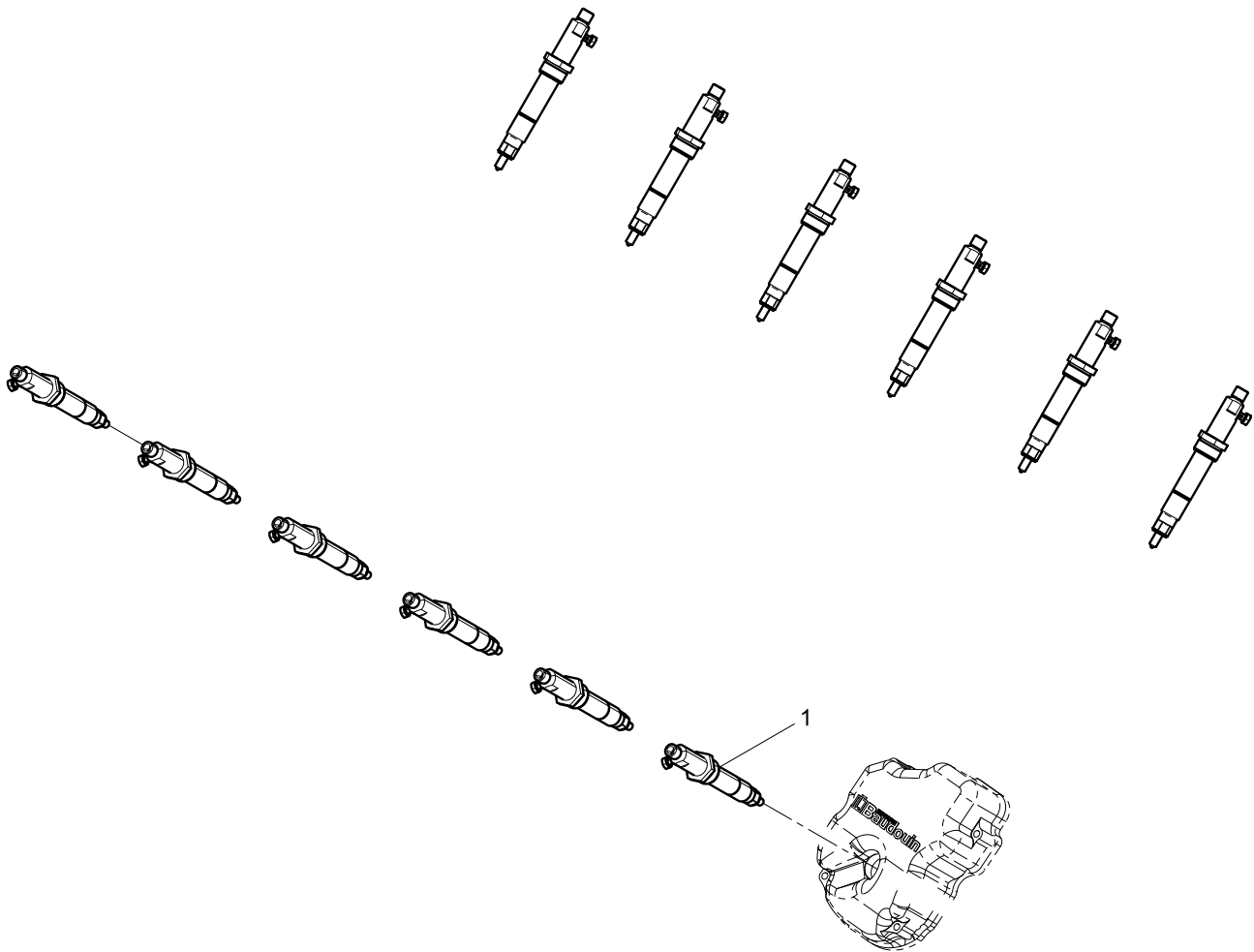
Fuel Supply Pump Group



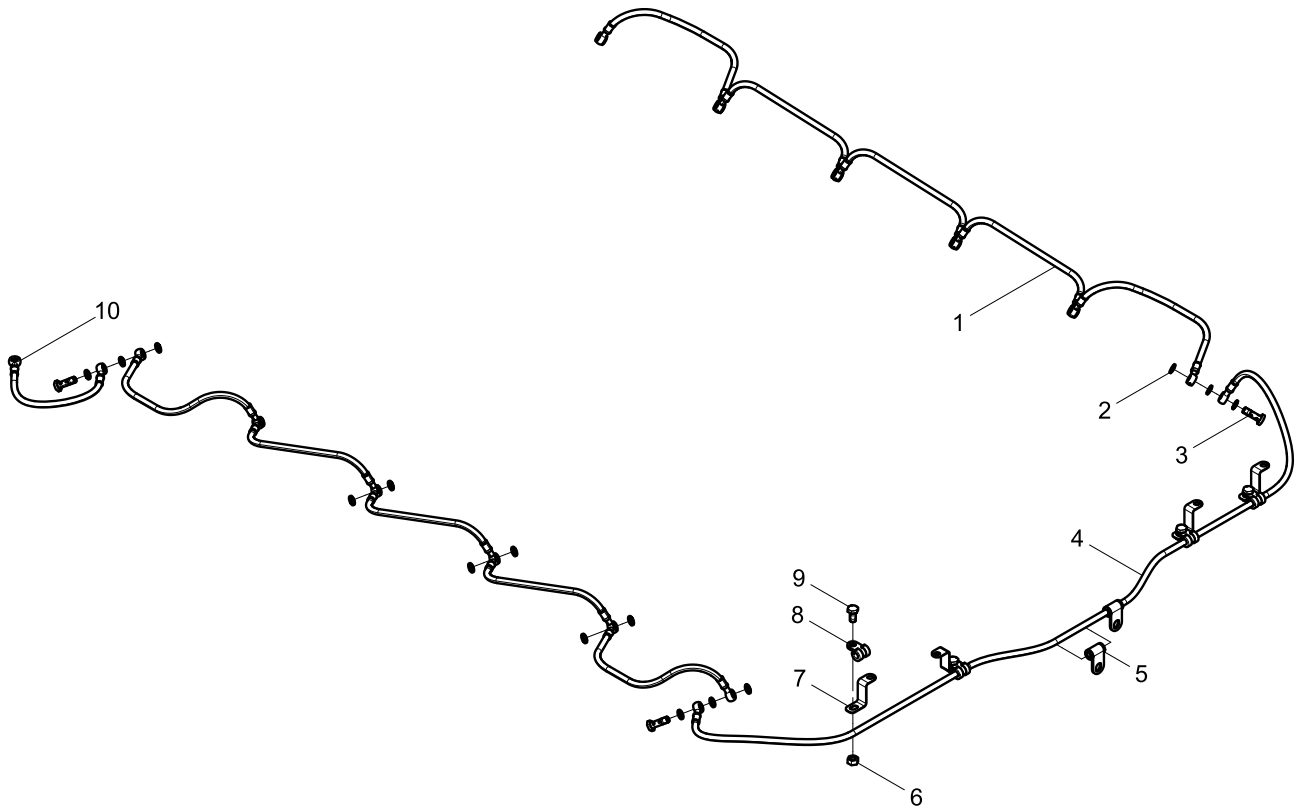
Fuel supply driving gear group



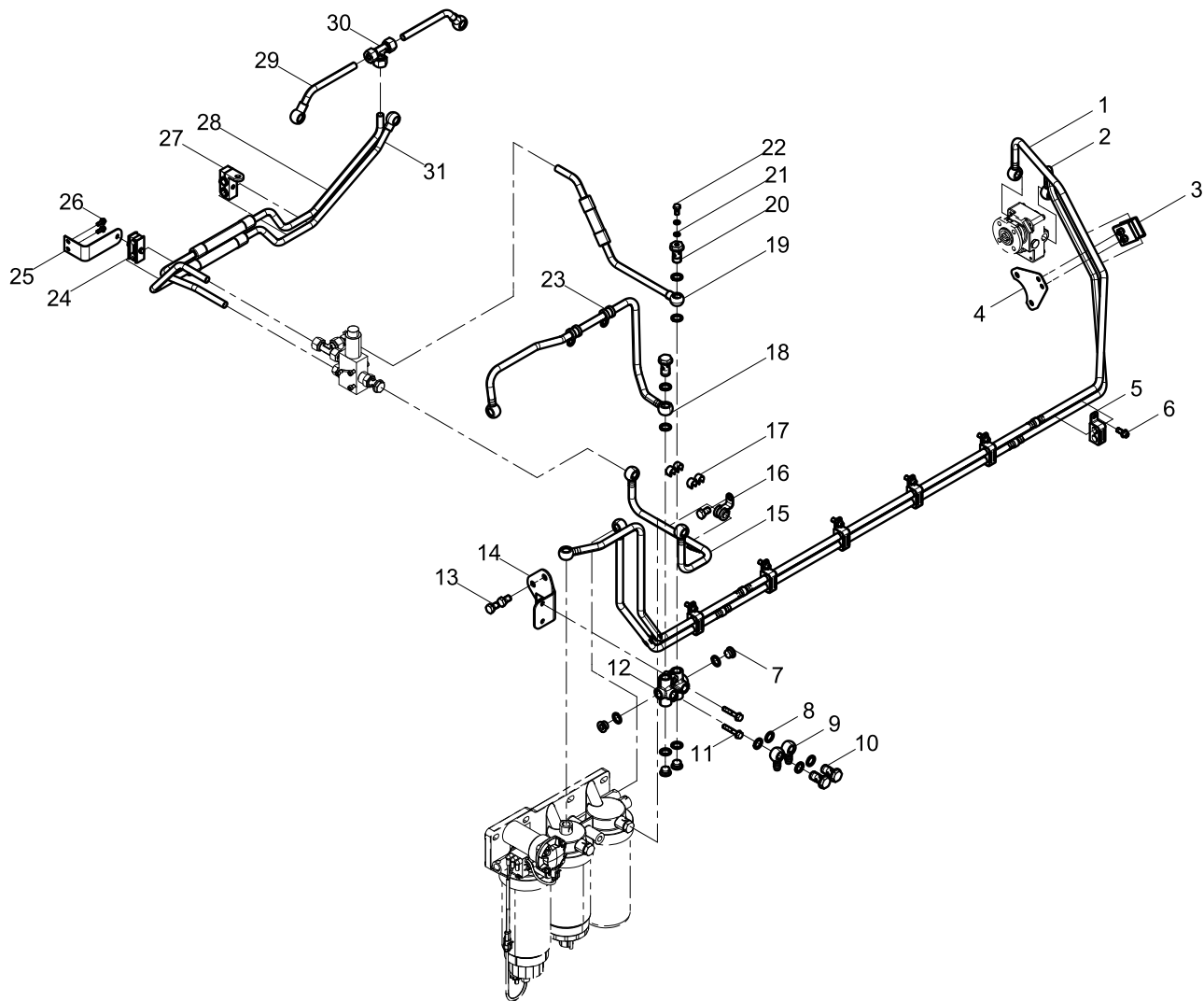
Fuel Injector Group



Injector Return Pipe Group



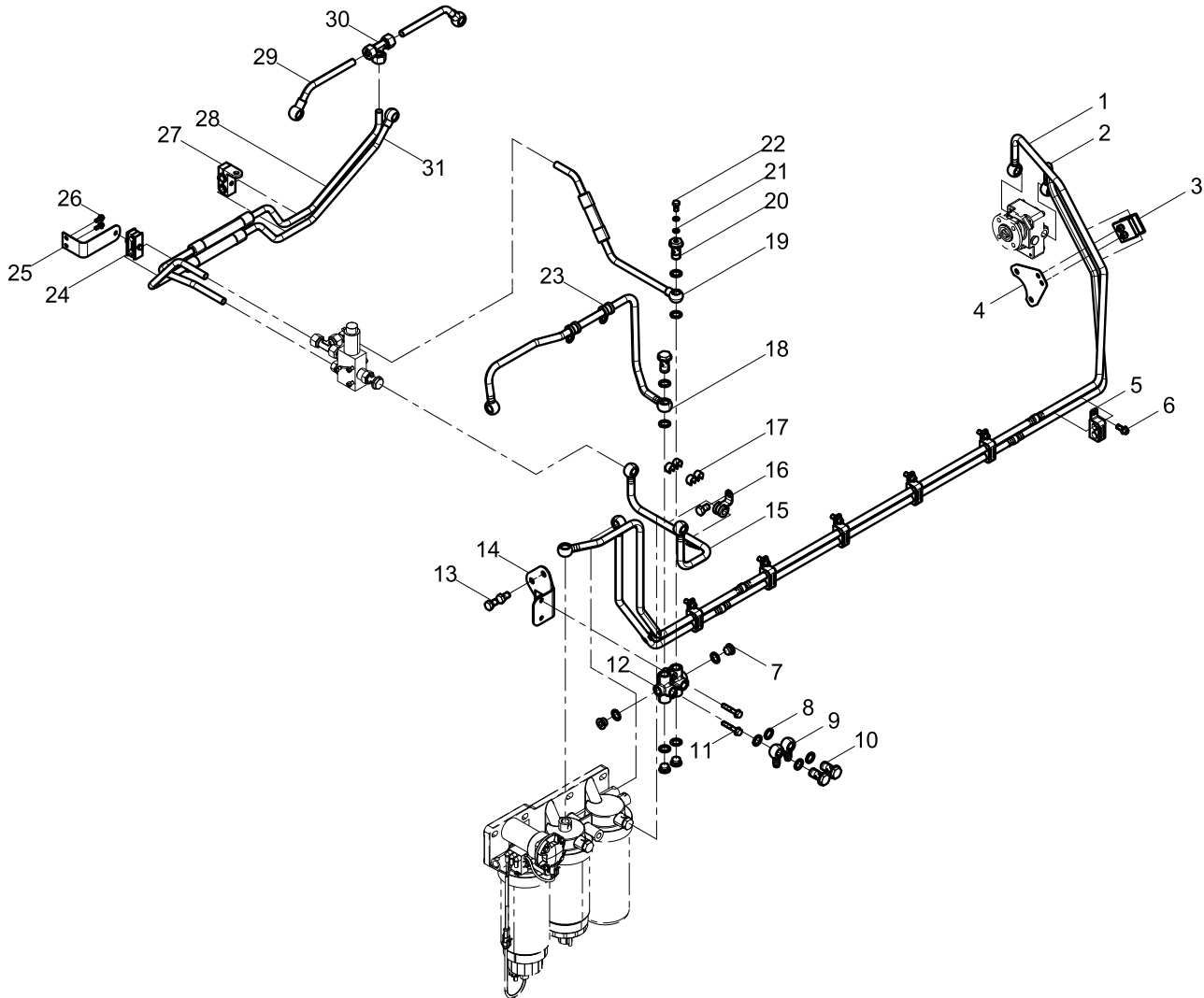
Low Pressure Fuel Pipe Group



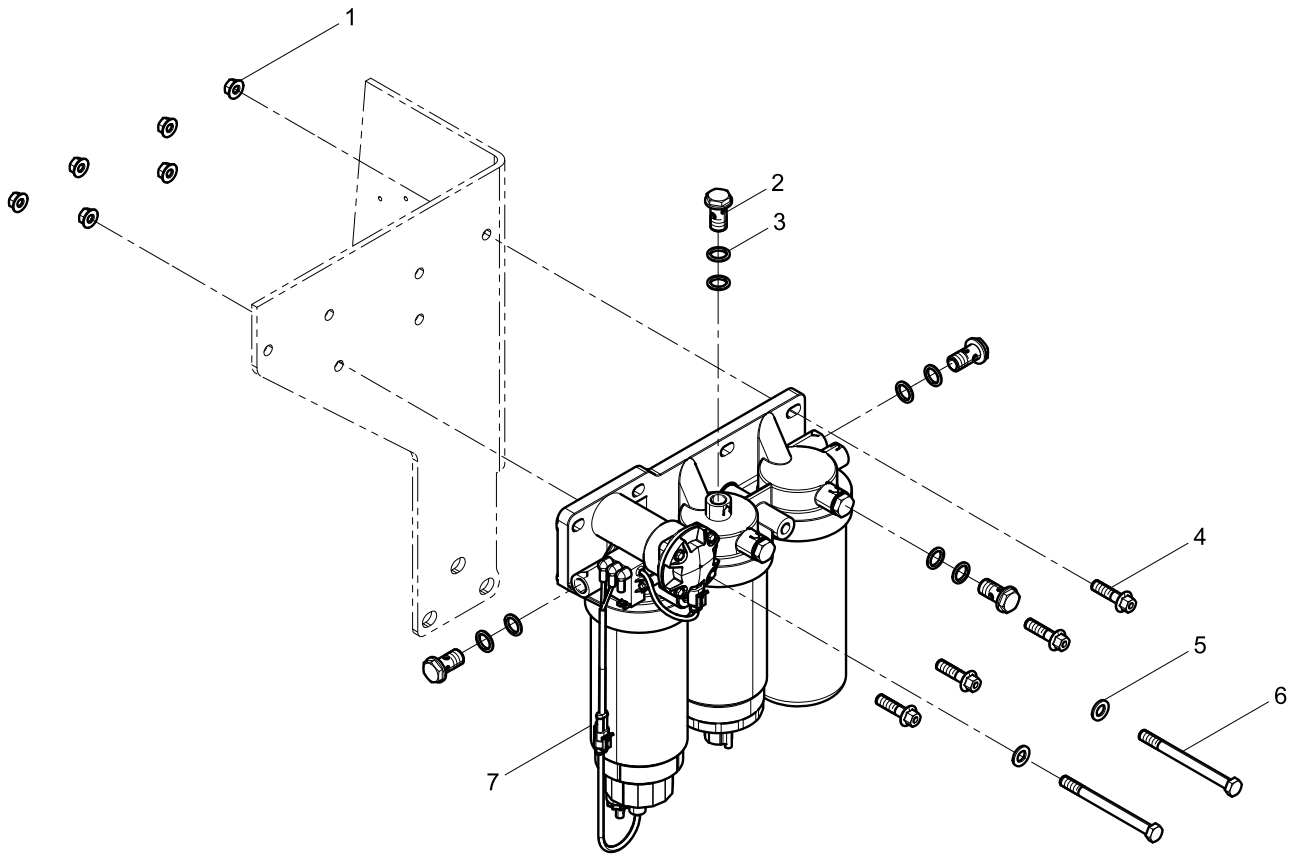
Low Pressure Fuel Pipe Group

Pos.	Teile.Number	Amount	Designation
1	331005000820	1	Fuel-inlet Pipe Assembly
2	331005000822	1	Fuel-inlet Pipe Assembly
3	331005000864	1	Pipe Clamp Assembly
4	331005000835	1	Fuel Pipe Bracket
5	331005000816	6	Pipe Clamp Assembly
6	90011420022	6	Hexagon Flange Bolt
7	14400078J	4	Hexagon Taper Screw Plug
8	612600080275	12	Sealing Washer
9	612600082773	2	Pipe Joint
10	01119250	3	Hollow screw
11	90011400004	2	Hexagon Flange Bolt
12	331005000809	1	Transition joint
13	9000000709	3	Hexagon Flange Bolt
14	331005001101	1	Bracket
15	331005000824	1	Fuel-inlet Pipe Assembly
16	331005001140	1	Pipe Clamp Assembly
17	612600080948	4	Pipe Clamp Assembly
18	331005001108	1	Fuel-inlet Pipe Assembly
19	331005001105	1	Fuel Return Pipe Assembly
20	331005001234	1	Bolt
21	612600080201	2	Washer
22	612600081948	1	Bolt
23	330210000162	2	Pipe Clamp Assembly
24	331005000865	1	Pipe Clamp Assembly
25	331005000834	1	Fuel Pipe Bracket
26	9000000719	2	Hexagon Flange Bolt
27	330205000403	1	Pipe Clamp Assembly

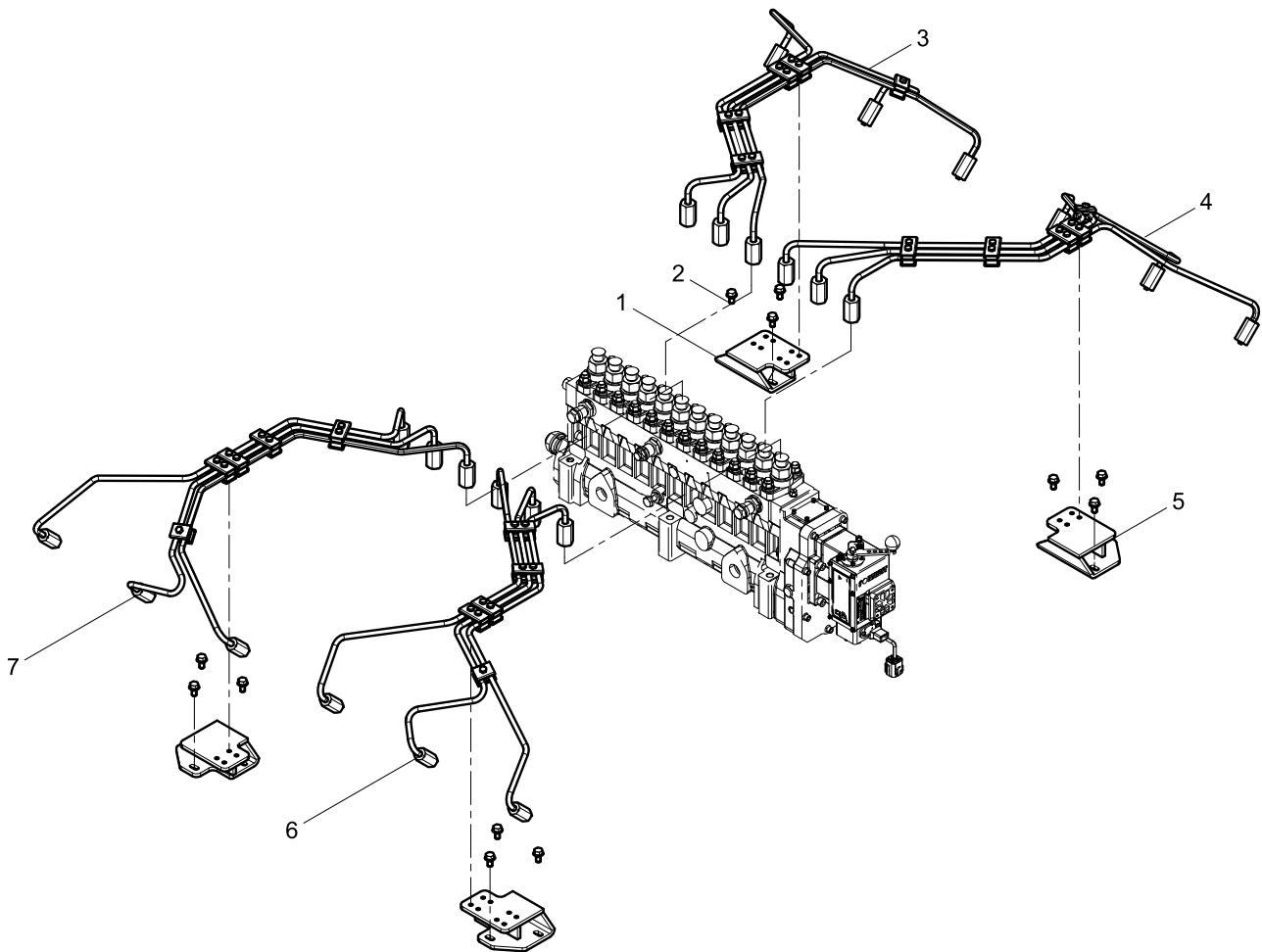
Low Pressure Fuel Pipe Group



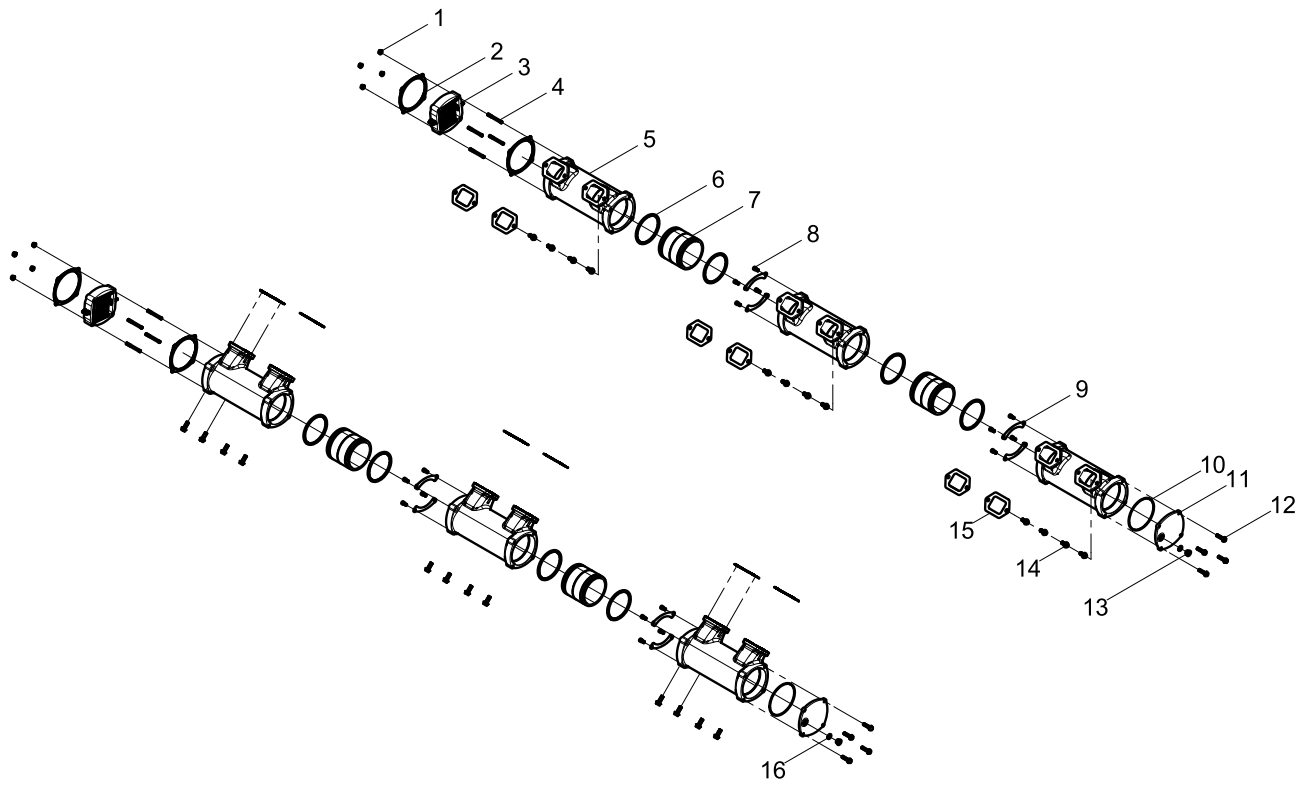
Fuel Filter Group



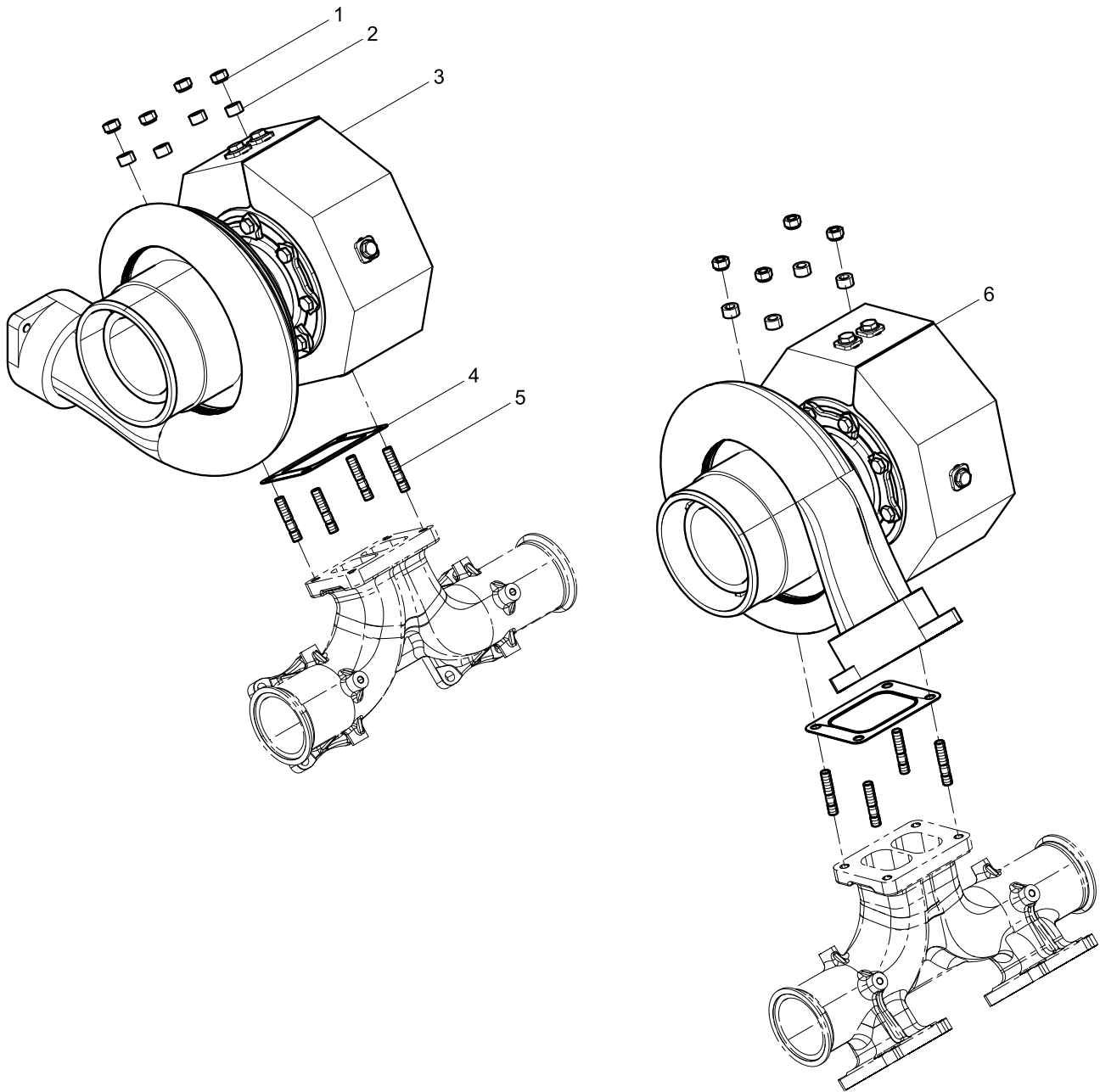
High Pressure Fuel Pipe Group



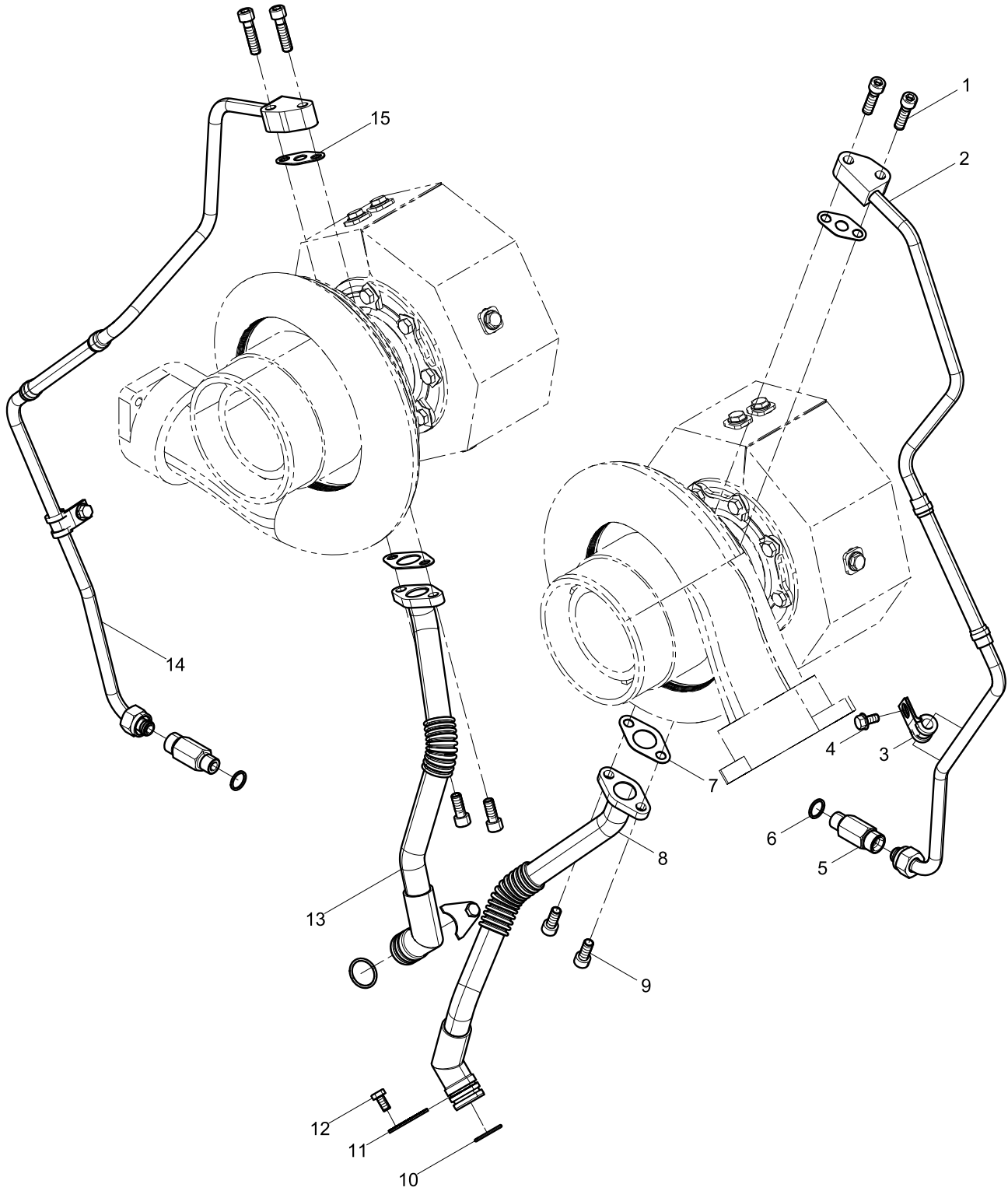
Intake Manifold Group



Turbocharger Group



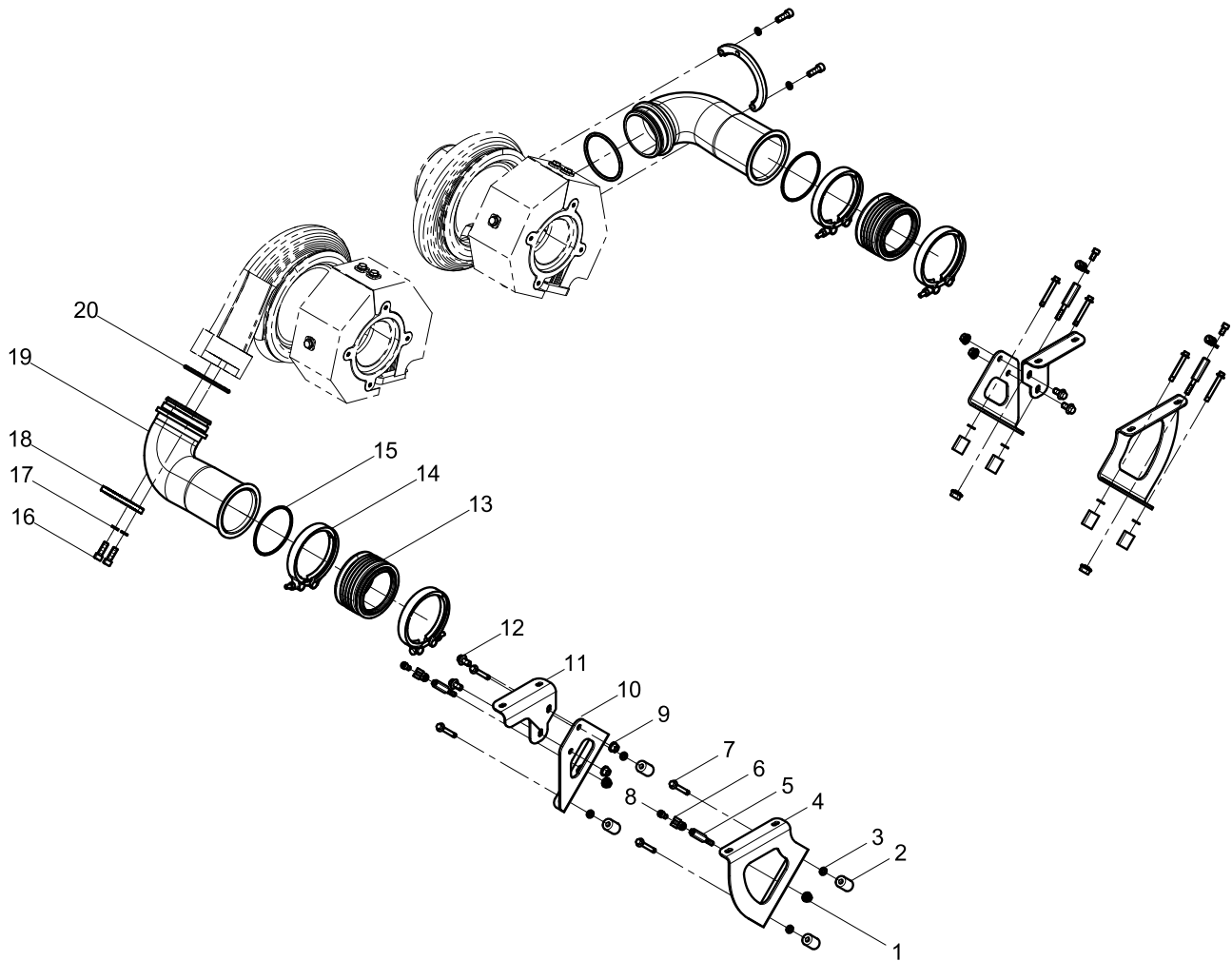
Turbocharger Oil Pipe Group



Turbocharger Oil Pipe Group

Pos.	Teile.Number	Amount	Designation
1	90013050063	4	Inner Hexagon Socket Head Cap Screw
2	331010000333	1	Turbocharger Oil Pipe Assembly
3	330210000162	2	Pipe Clamp Assembly
4	90011400019	2	Hexagon Flange Bolt
5	15041651W	2	Pipe Joint
6	13023362	2	Assembled Sealing Washer
7	X6231.660W	2	Turbocharger Oil Pipe Gasket
8	331010000299	1	Turbocharger Oil Pipe Assembly
9	90013050070	4	Inner Hexagon Socket Head Cap Screw
10	90017510058	2	O-ring
11	331010000234	2	Plate
12	9000000068	2	Hexagon Flange Bolt
13	331010000302	1	Turbocharger Oil Pipe Assembly
14	331010000334	1	Turbocharger Oil Pipe Assembly
15	14409622H	2	Turbocharger Oil Pipe Gasket

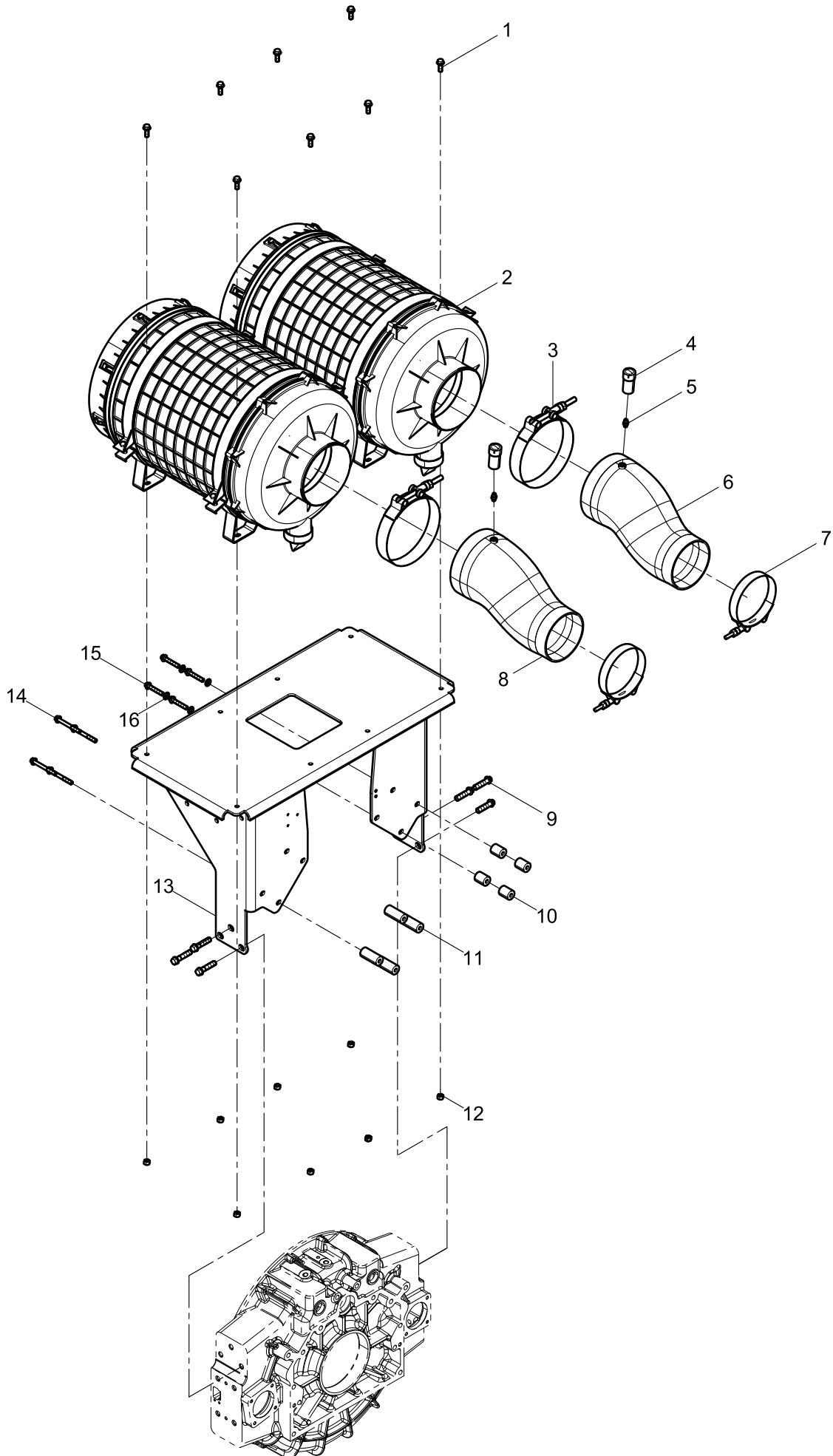
Compressor Pipe Group



Compressor Pipe Group

Pos.	Teile.Number	Amount	Designation
1	612600061719	4	Prevailing Torque Type Hexagon Nut with Flange
2	1000060256	8	Pad
3	90014040007	8	Plain Washer
4	1000054144	2	Inter-cool Pipe Bracket
5	612600010616	4	Back-up Block
6	330205000539	4	Pipe Clamp Assembly
7	90011430004	8	Hexagon Flange with Tooth Bolt
8	90003862419	4	Inner Hexagon Socket Head Cap Screw
9	612600061720	4	Prevailing Torque Type Hexagon Nut with Flange
10	1000054145	2	Inter-cool Pipe Bracket
11	330208000234	2	Inter-cool Pipe Bracket
12	90011430007	4	Hexagon Flange with Tooth Bolt
13	330208000127	2	Expansion Pipe
14	X6209.104	4	Clamp
15	90017550021	2	O-Ring
16	90003862532	4	Inner Hexagon Socket Head Cap Screw
17	90003931122	4	Spring Washer
18	331008000056	2	Plate
19	1000034774	2	Compressor Air Pipe
20	90017510076	2	O-ring

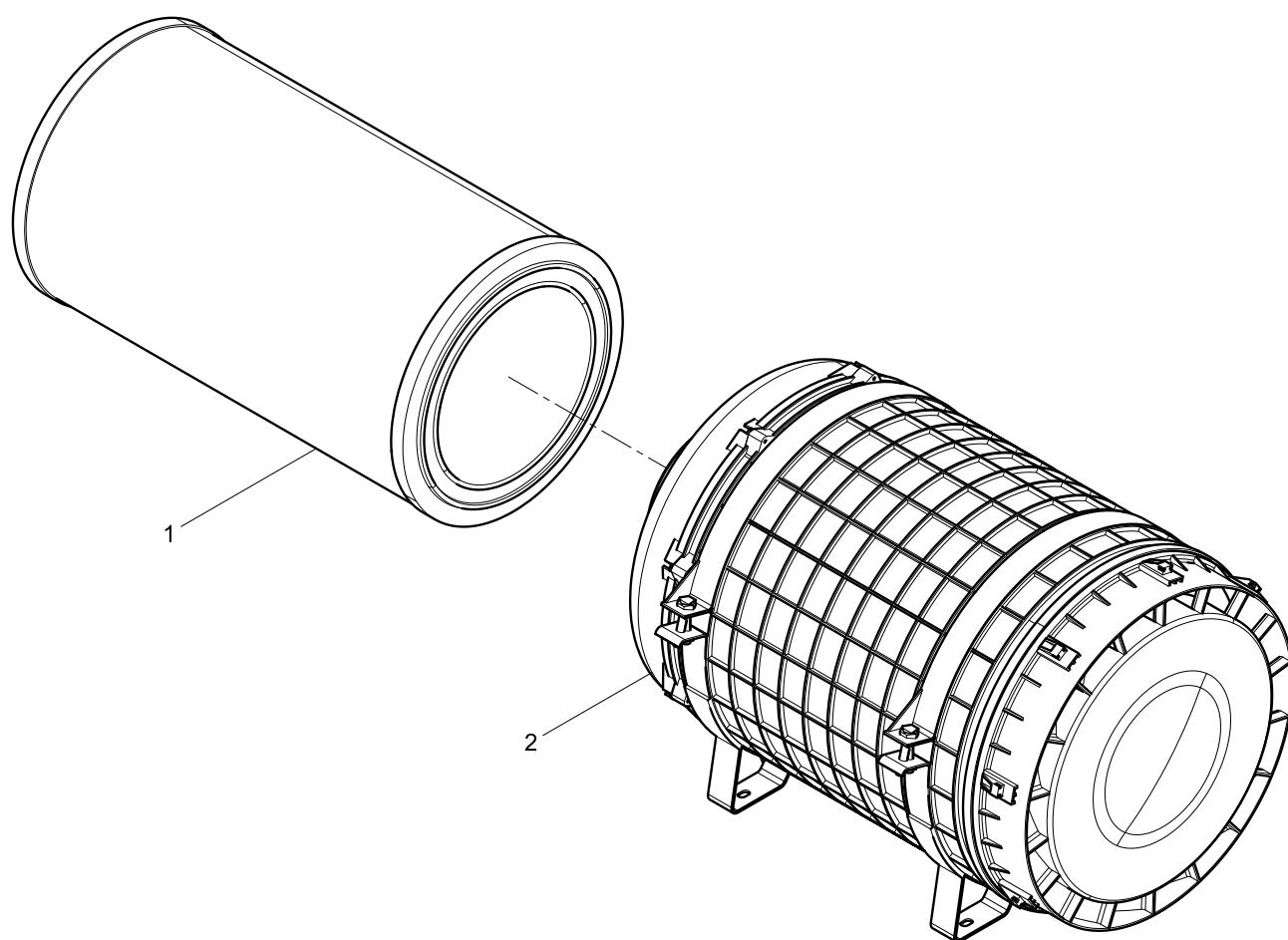
Air Filter Group



Air Filter Group

Pos.	Teile.Number	Amount	Designation
1	90011400028	8	Hexagon Flange Bolt
2	1000644230	2	Air Filter
3	612600114944	2	Clamp
4	1000644232	2	Intake Resistance Alarm
5	612600115282	2	Transition joint
6	331008000188	1	Compressor Air Pipe
7	612600115560	2	Clamp
8	331008000172	1	Compressor Air Pipe
9	90011400065	6	Hexagon Flange Bolt
10	331010000032	4	Pad
11	331010000031	4	Pad
12	90012290002	8	Hexagon Flange Nut
13	331008000175	1	Air Filter Bracket
14	612600061712	4	Hexagon Flange with Tooth Bolt
15	90011430034	4	Hexagon Flange with Tooth Bolt
16	90014400001	4	Sealing Washer

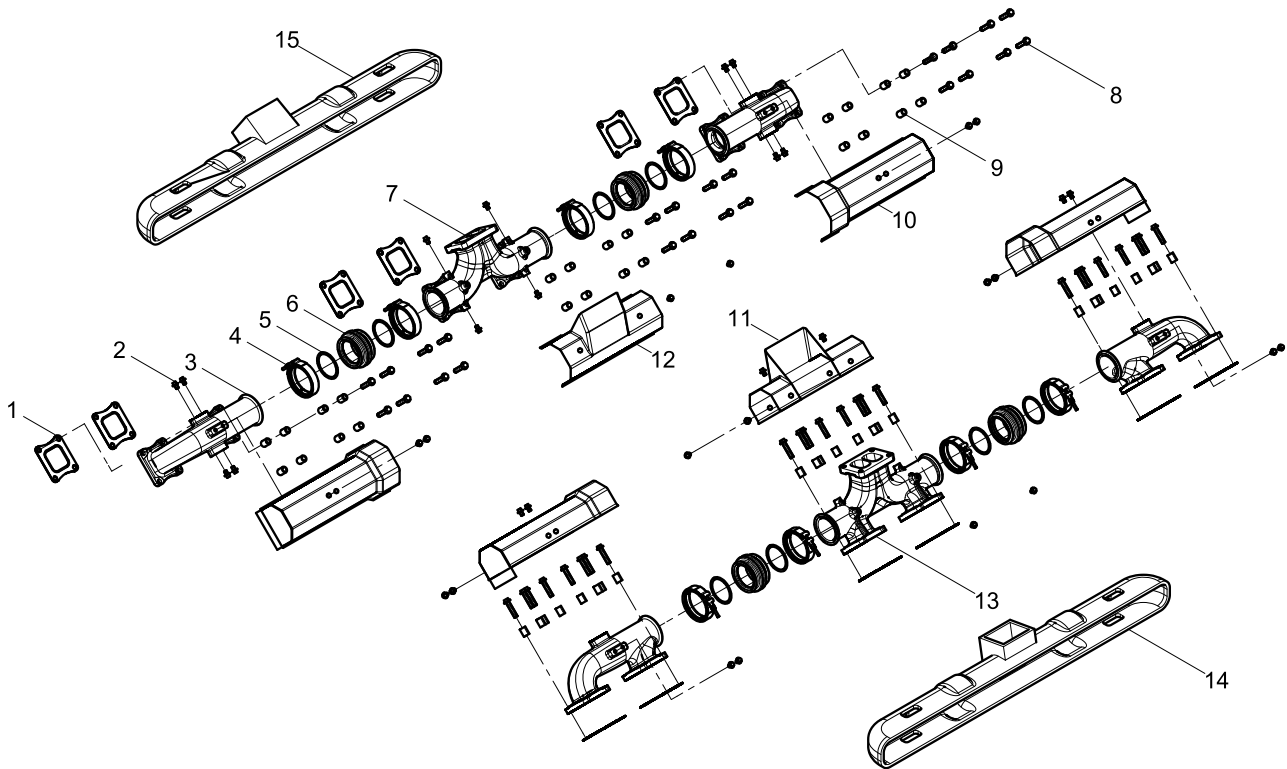
Air Filter



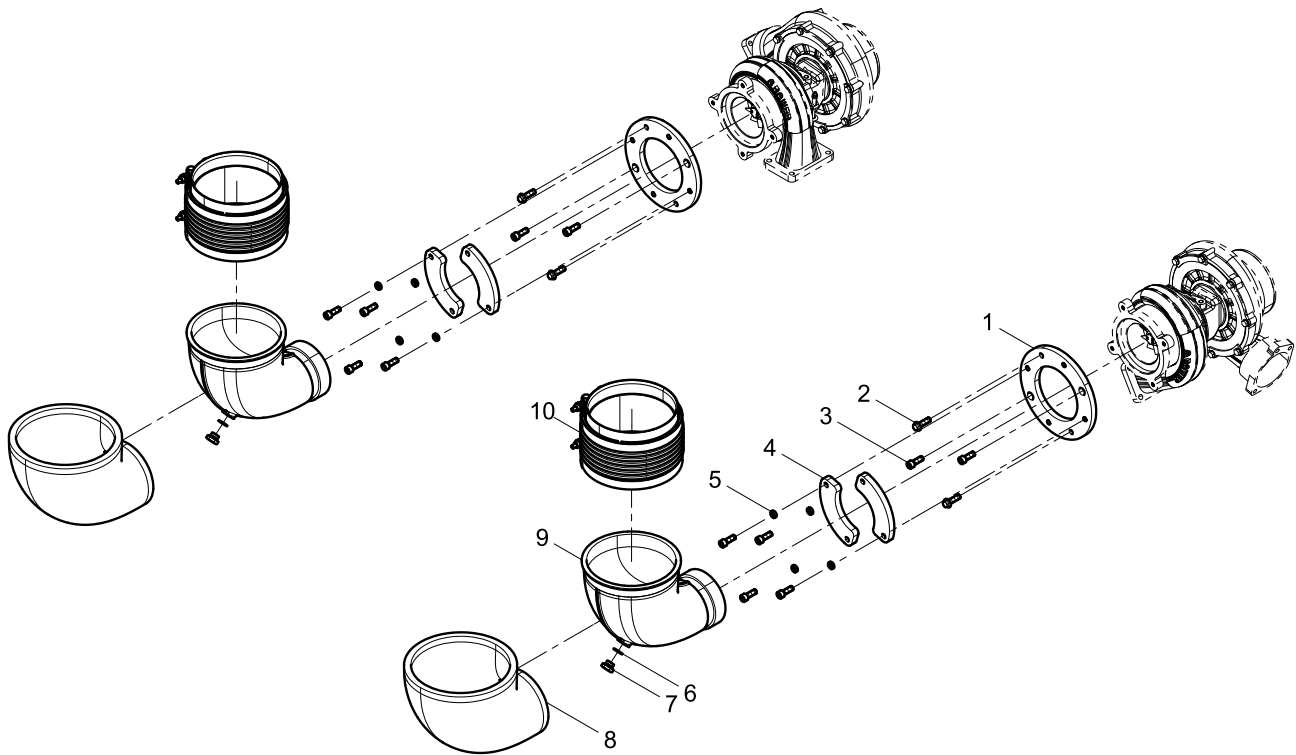
Air Filter

Pos.	Teile.Number	Amount	Designation
1	331008000249	2	Air Filter Element
2	1000663870	2	Air Filter Housing

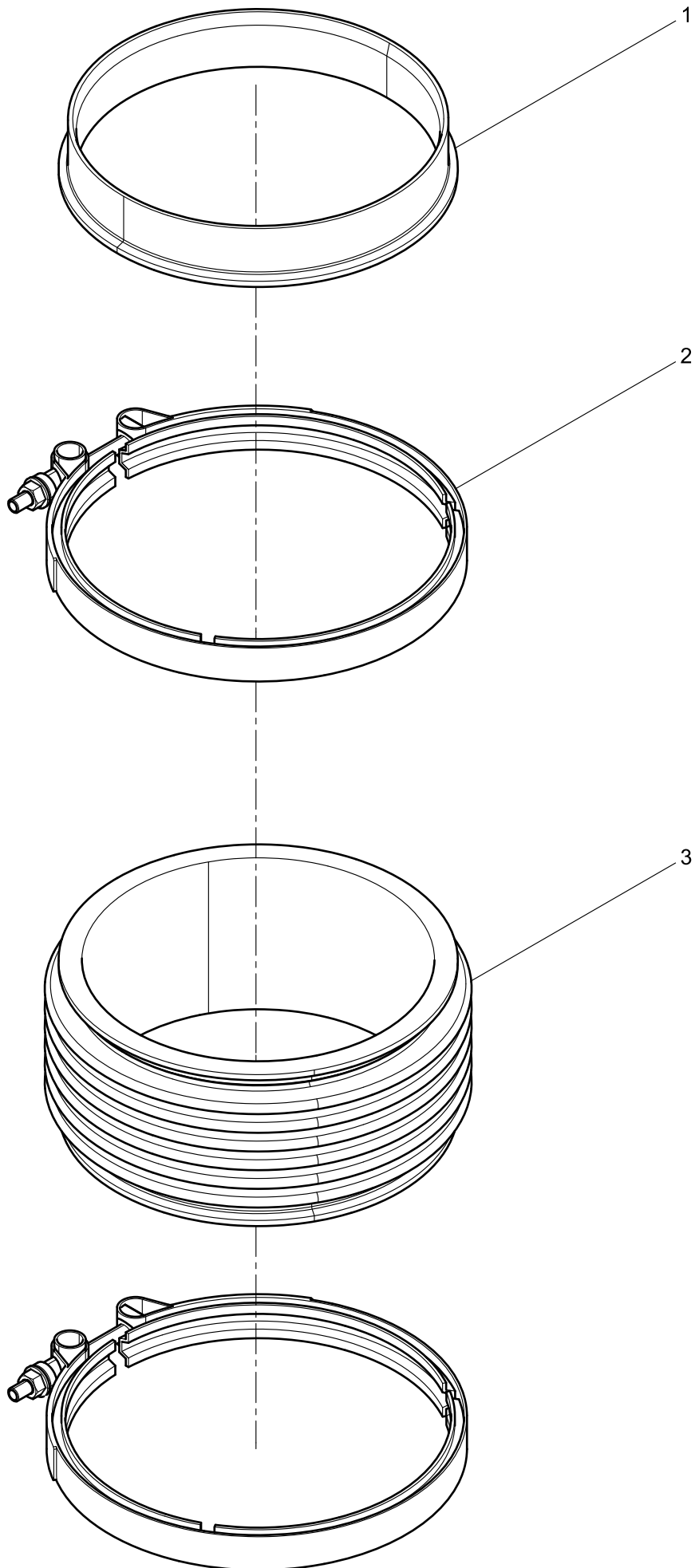
Exhaust Manifold Group



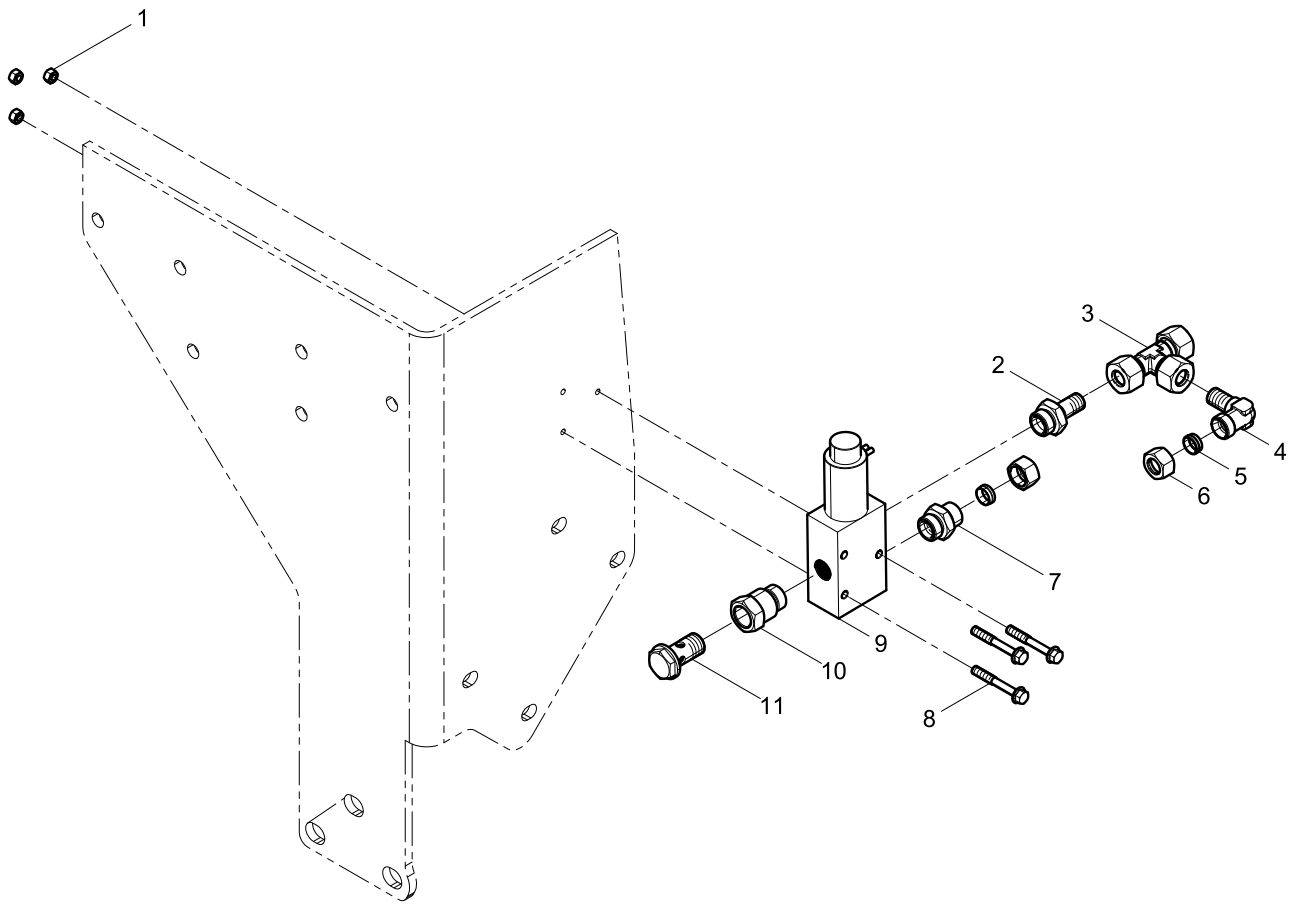
Connection syphon group



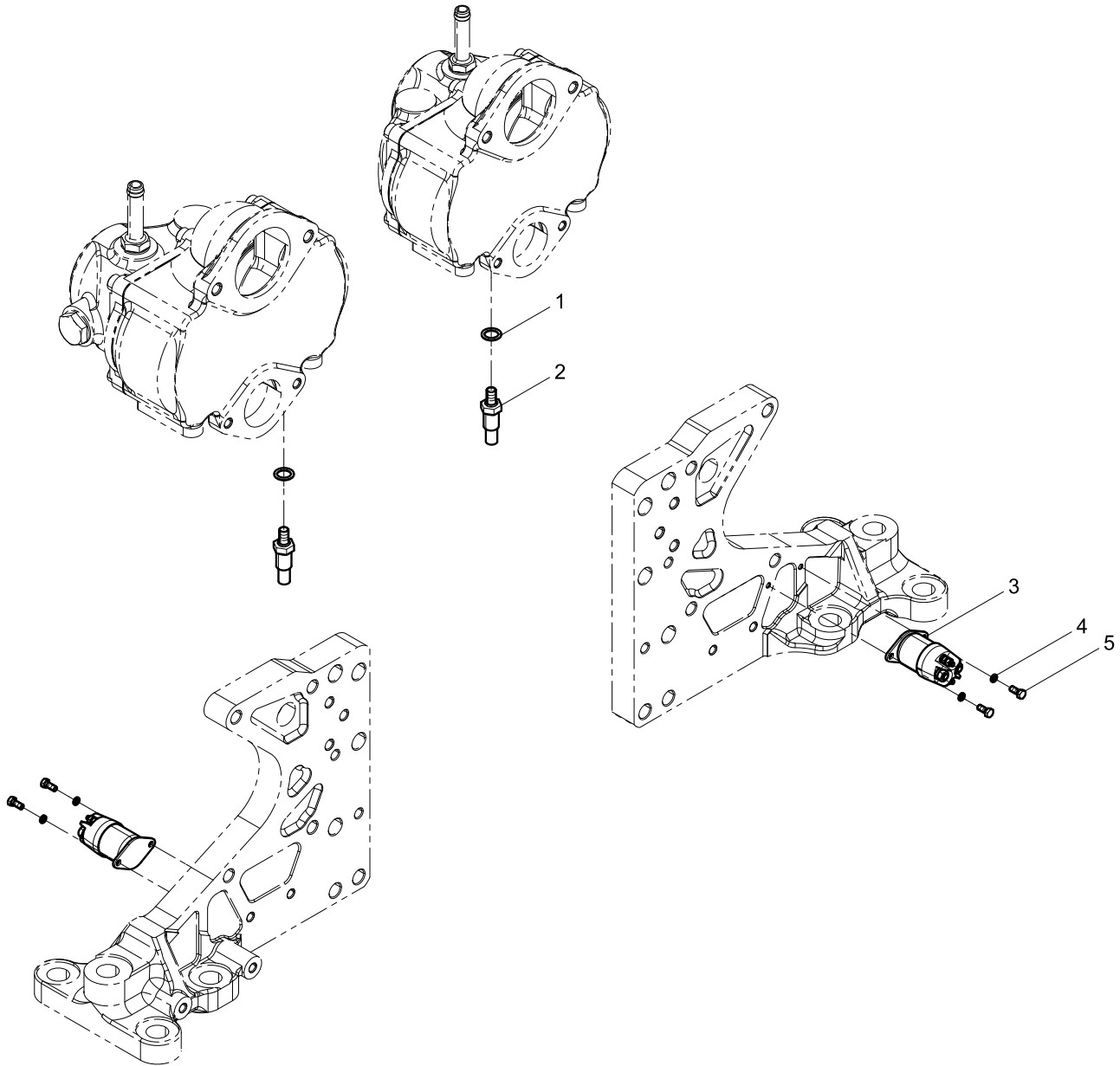
Expansion Joint



Shut-down Device Group



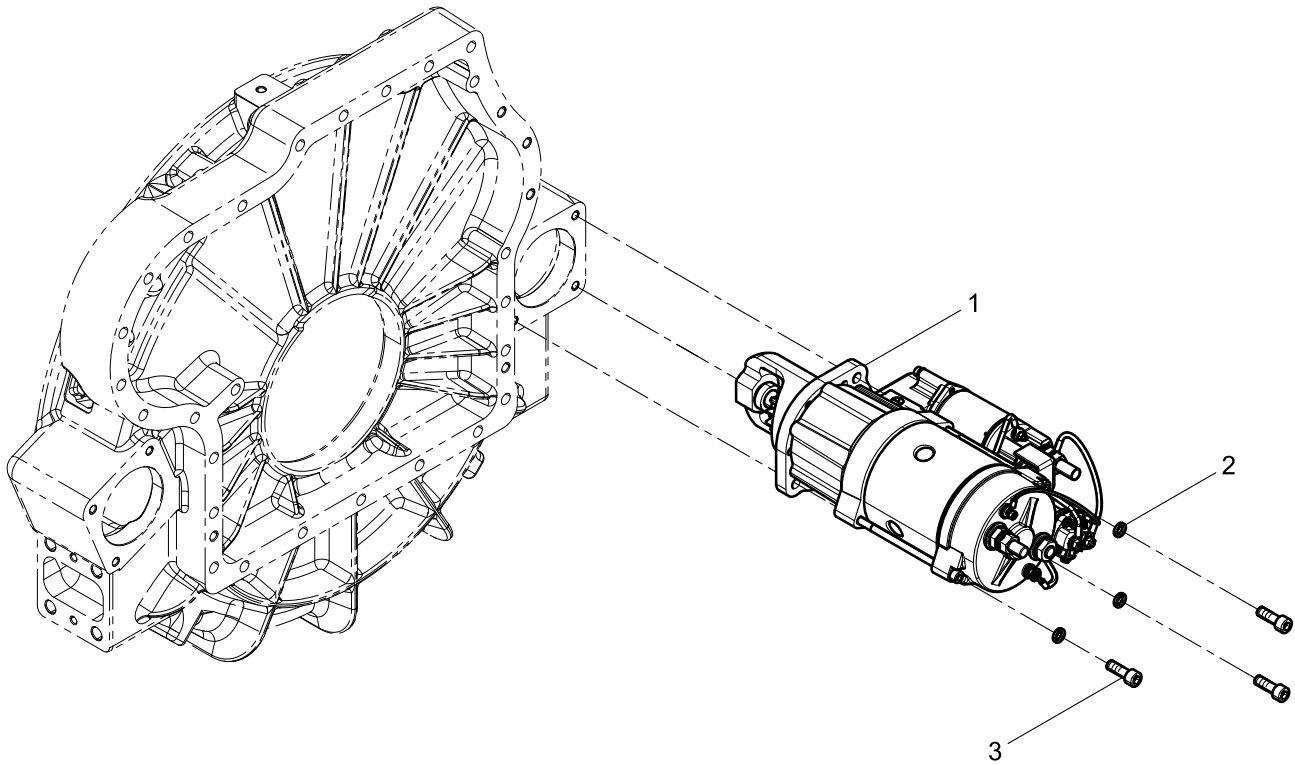
Auxiliary Starting Device Oc



Auxiliary Starting Device Oc

Pos.	Teile.Number	Amount	Designation
1	77707510K	2	Washer
2	612600090107	2	Temperature Sensor
3	612630080076	2	Relay
4	90014350002	4	Spring Washer
5	90011270060	4	Hexagon head bolt

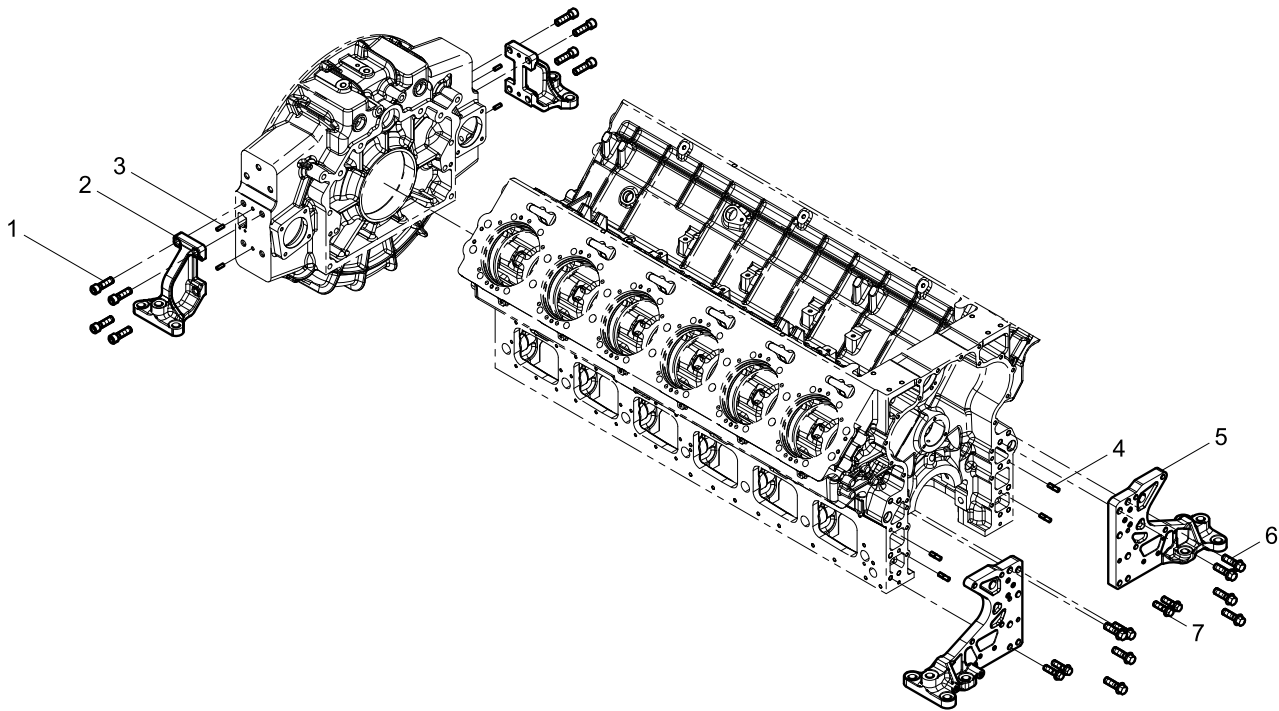
Starter Motor Group



Starter Motor Group

Pos.	Teile.Number	Amount	Designation
1	1000728416	1	Starter Motor
2	90003931122	3	Spring Washer
3	90013550050	3	Inner Hexagon Socket Head Cap Screw

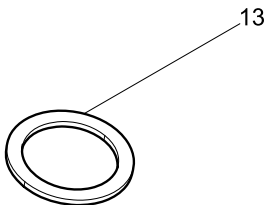
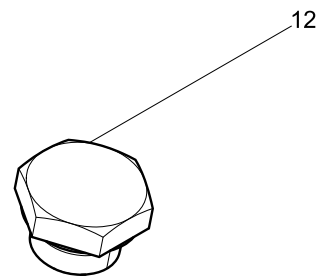
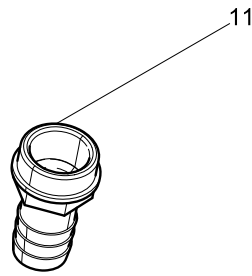
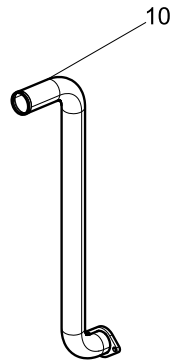
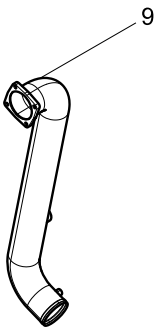
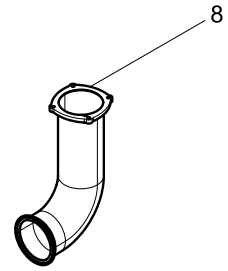
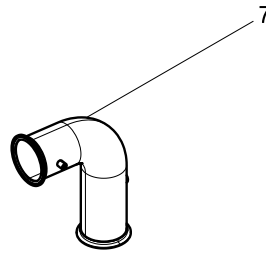
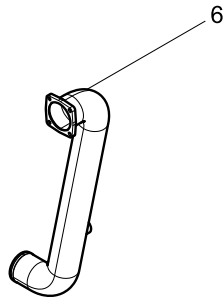
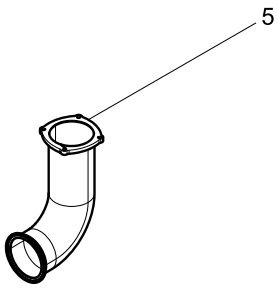
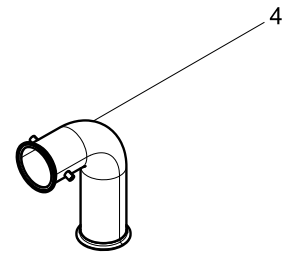
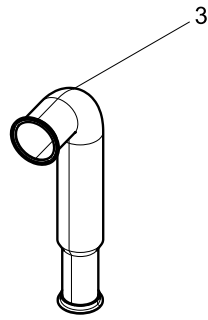
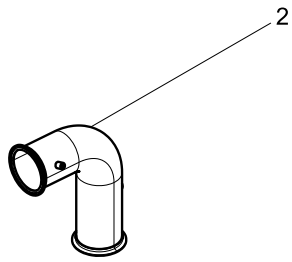
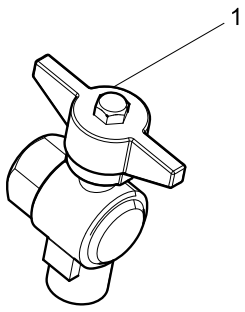
Engine Bracket Group



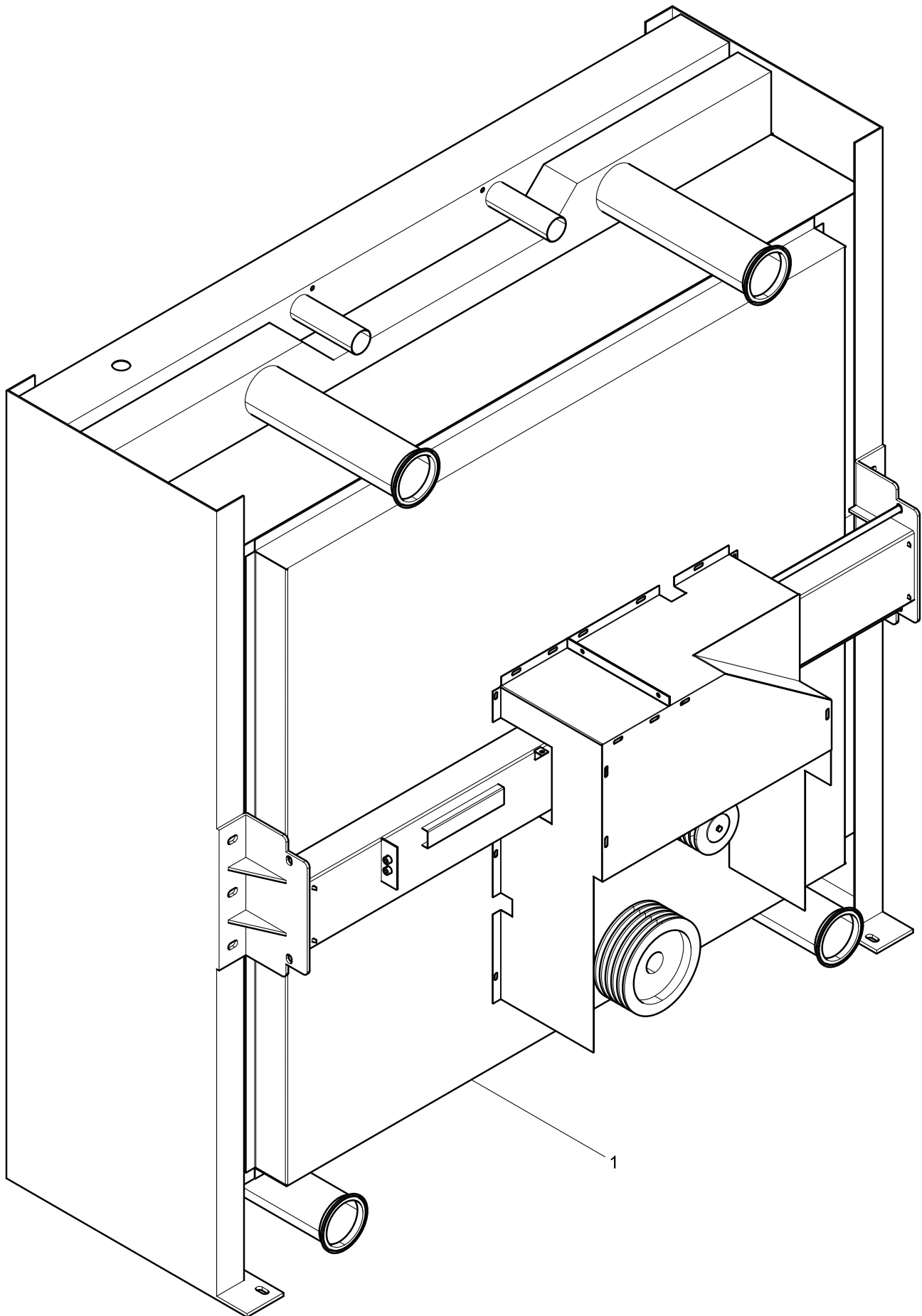
Engine Bracket Group

Pos.	Teile.Number	Amount	Designation
1	90013550054	8	Inner Hexagon Socket Head Cap Screw
2	1000693020	2	Engine Bracket
3	90015040024	4	Parallel Pin
4	90019230003	4	Grooved Pin
5	1000076349	2	Engine Bracket
6	331002000185	8	Hexagon Flange Bolt
7	330202000254	4	Hexagon Flange Bolt

Packing Box Chassis Parts Group



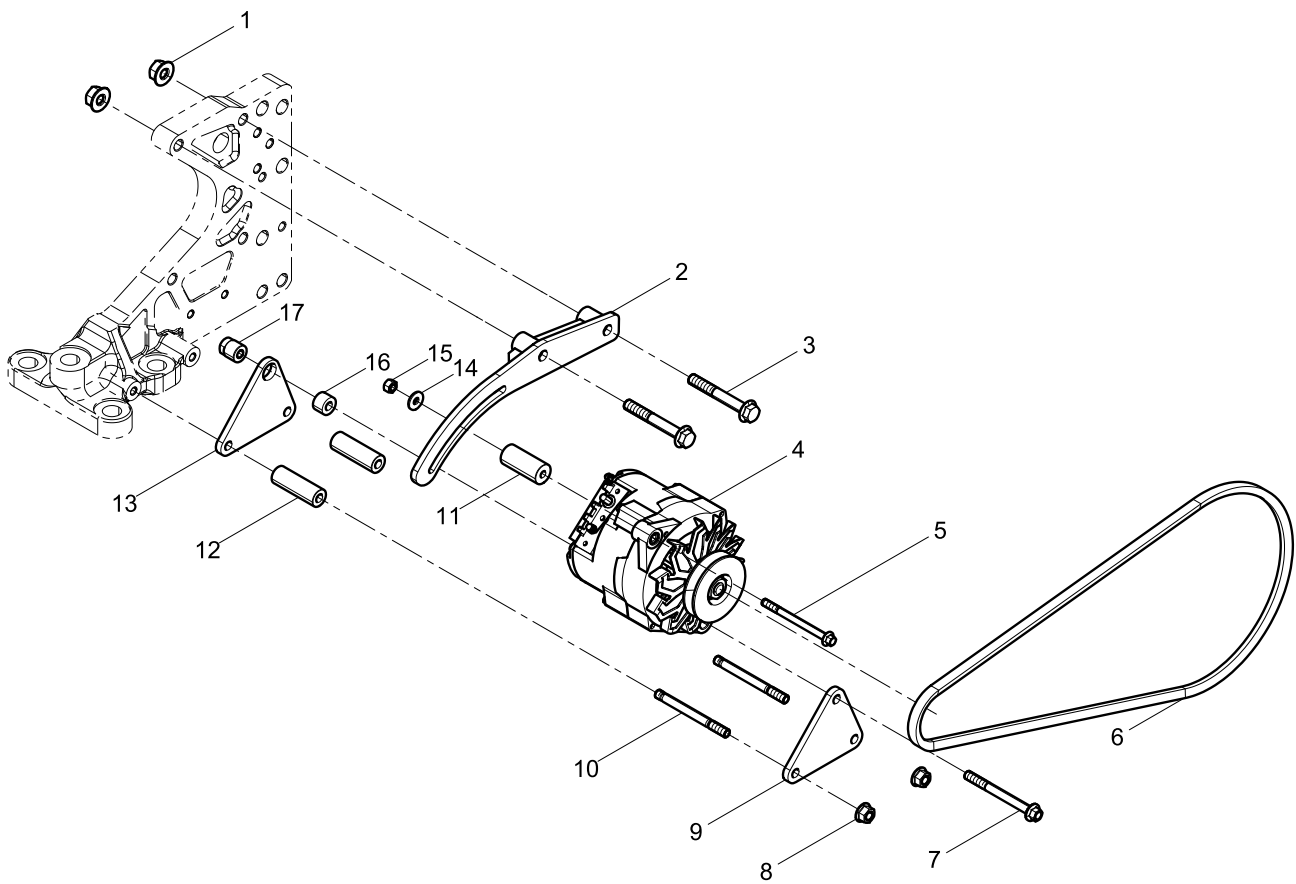
Separate Delivery Parts Group Attached to Engine



Separate Delivery Parts Group Attached to Engine

Pos.	Teile.Number	Amount	Designation
1	1000094321	1	Engine Radiator and Fan Assembly

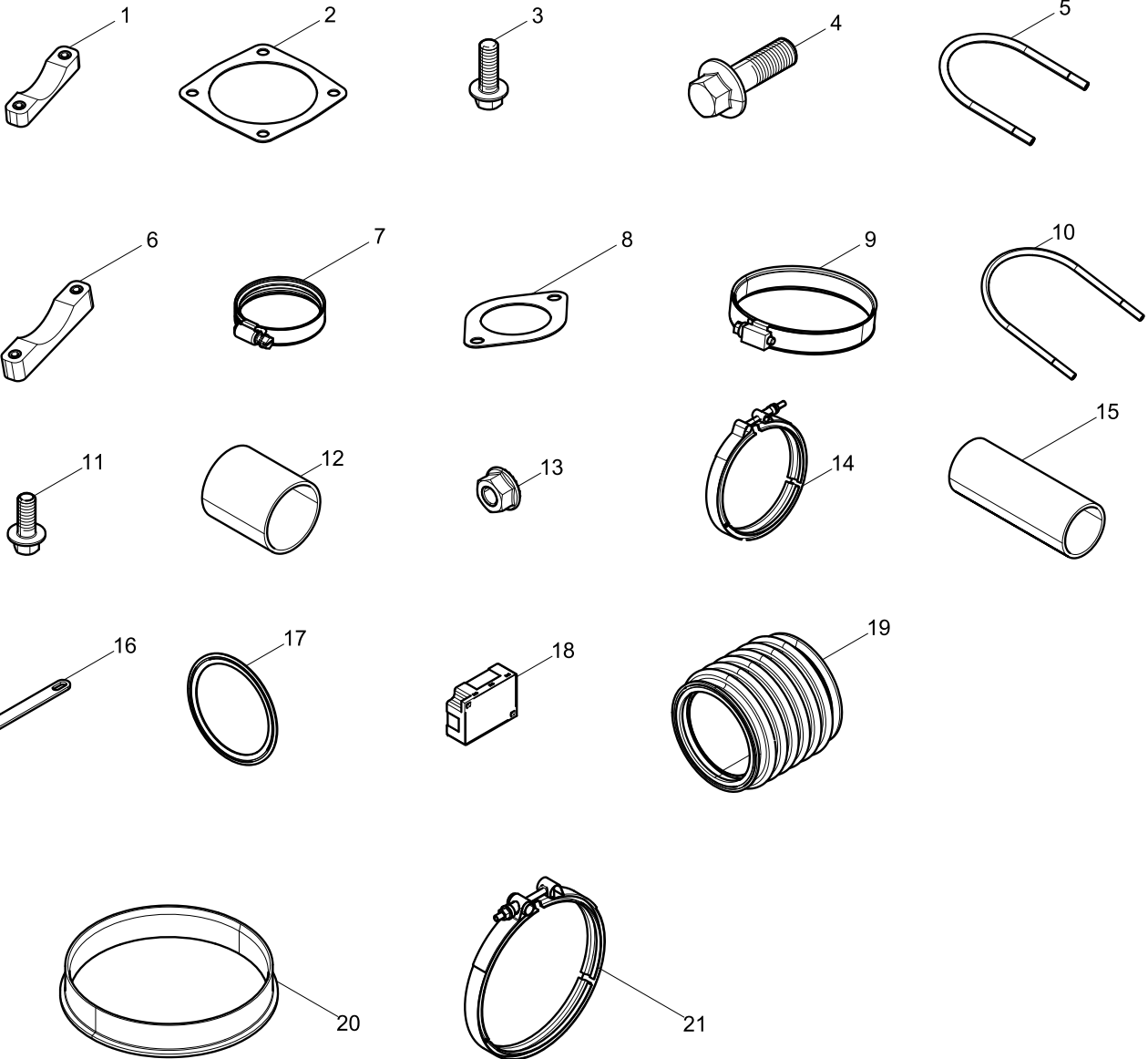
Alternator Group



Alternator Group

Pos.	Teile.Number	Amount	Designation
1	90012290005	2	Hexagon Flange Nut
2	331007000043	1	Alternator Bracket
3	90011400001	2	Hexagon flange bolt, heavy series
4	1000694665	1	Alternator
5	612630040264	1	Hexagon Flange Bolt
6	331007000027	1	V-belt
7	612600090826	1	Hexagon Flange with Tooth Bolt
8	90012290002	2	Hexagon Flange Nut
9	330207000017	1	Alternator Bracket
10	90003813580	2	Stud
11	331007000025	1	Pad
12	331007000026	2	Pad
13	330207000018	1	Alternator Bracket
14	13521430G	1	Washer
15	90003888451	1	Prevailing Torque Type All-metal Hexagon Nut,
16	15070110E	1	Pad
17	612630060040	1	Nut

Parts Box Group



Parts Box Group

Pos.	Teile.Number	Amount	Designation
1	330208000230	2	Pad
2	1000077214	2	Gasket
3	90011430017	4	Hexagon Flange with Tooth Bolt
4	90011430001	8	Hexagon Flange with Tooth Bolt
5	612600120276	2	Bolt
6	330208000303	2	Pad
7	612600114682	4	Clamp
8	15032820X	2	Gasket
9	612600062212	4	Clamp
10	330208000300	2	Bolt
11	90011430016	20	Hexagon Flange with Tooth Bolt
12	330203000240	2	Coolant Connecting Rubber Pipe
13	612600061719	8	Prevailing Torque Type Hexagon Nut with Flange
14	612640130143	12	Clamp
15	X6231.640W	2	Coolant Connecting Rubber Pipe
16	330208000147	10	Plate
17	330208000306	12	Gasket
18	1000728423	2	Flame Preheater Cold Starter Controller
19	330208000310	4	Expansion Pipe
20	15101160E	4	Flange
21	330209000144	4	Clamp

This manual is for reference only,
product parameters are subject to alteration
without notice,
whichever is the physical product.