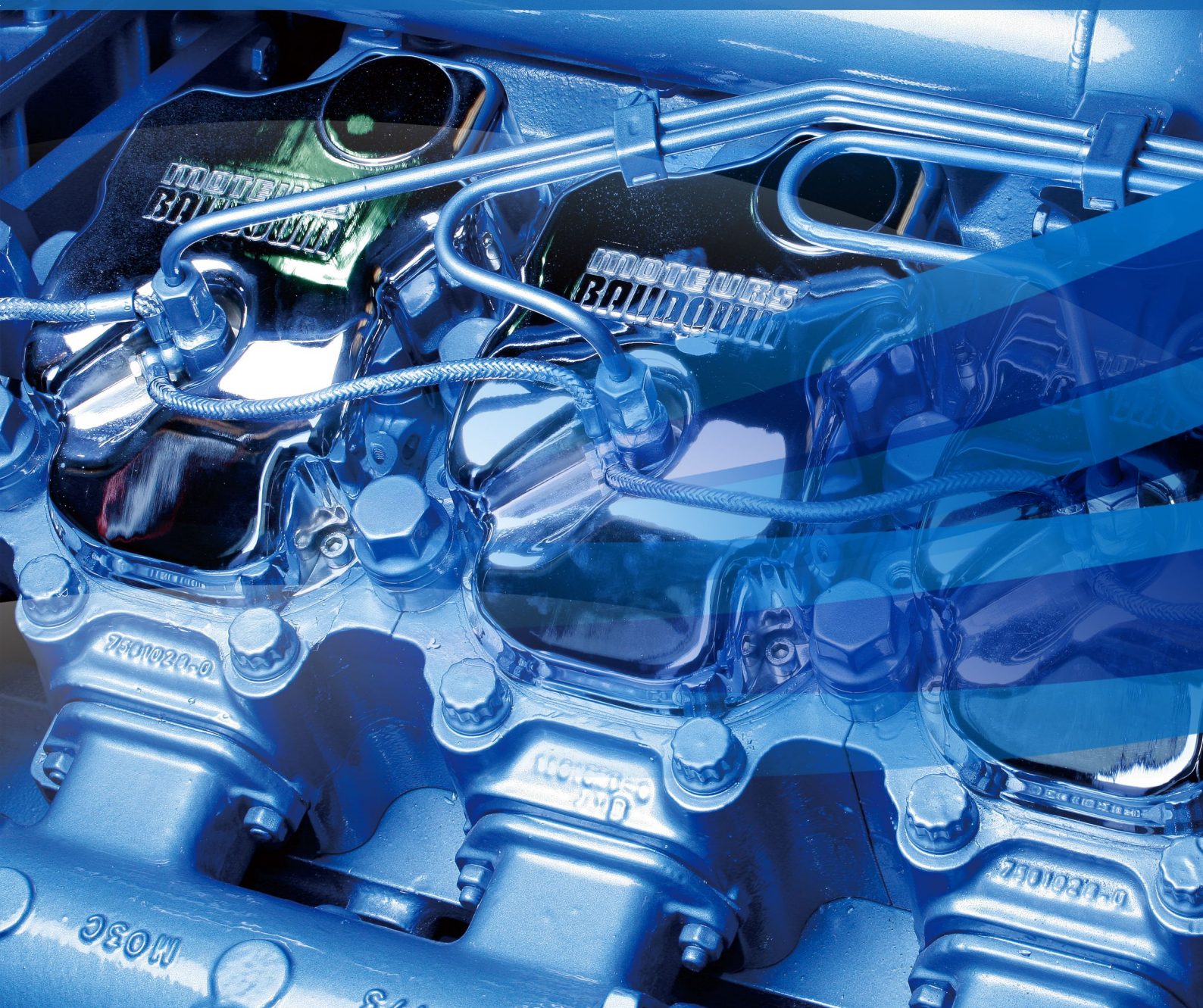


6M33 BAUDOIN DIESEL PARTS CATALOGUE



PREFACE

This illustrated parts manual is specially prepared for customers to facilitate the use of 6M33 series diesel engine in operation and tenance.

The illustrations are grouped under the heading of each assembly and numbered individually.Part.

No.,Quantity,Model,English designation,Chinese designation and so on are written in the parts list .
The parts catalogue include detailed assembling parts list of diesel engine ,some parts can not be sold ,if you want to know selling part matters,please ask weichai power spare part resource CO.,LTD.

With the development of technology and production,the versions of the diesel engine will be increased, so the catalogue will be revised.Please pay attention to our revised edition.After service of this product is authorized to Weichai Power Co.,Ltd ,Consumers can acquire information of this product through www.weichai.com.

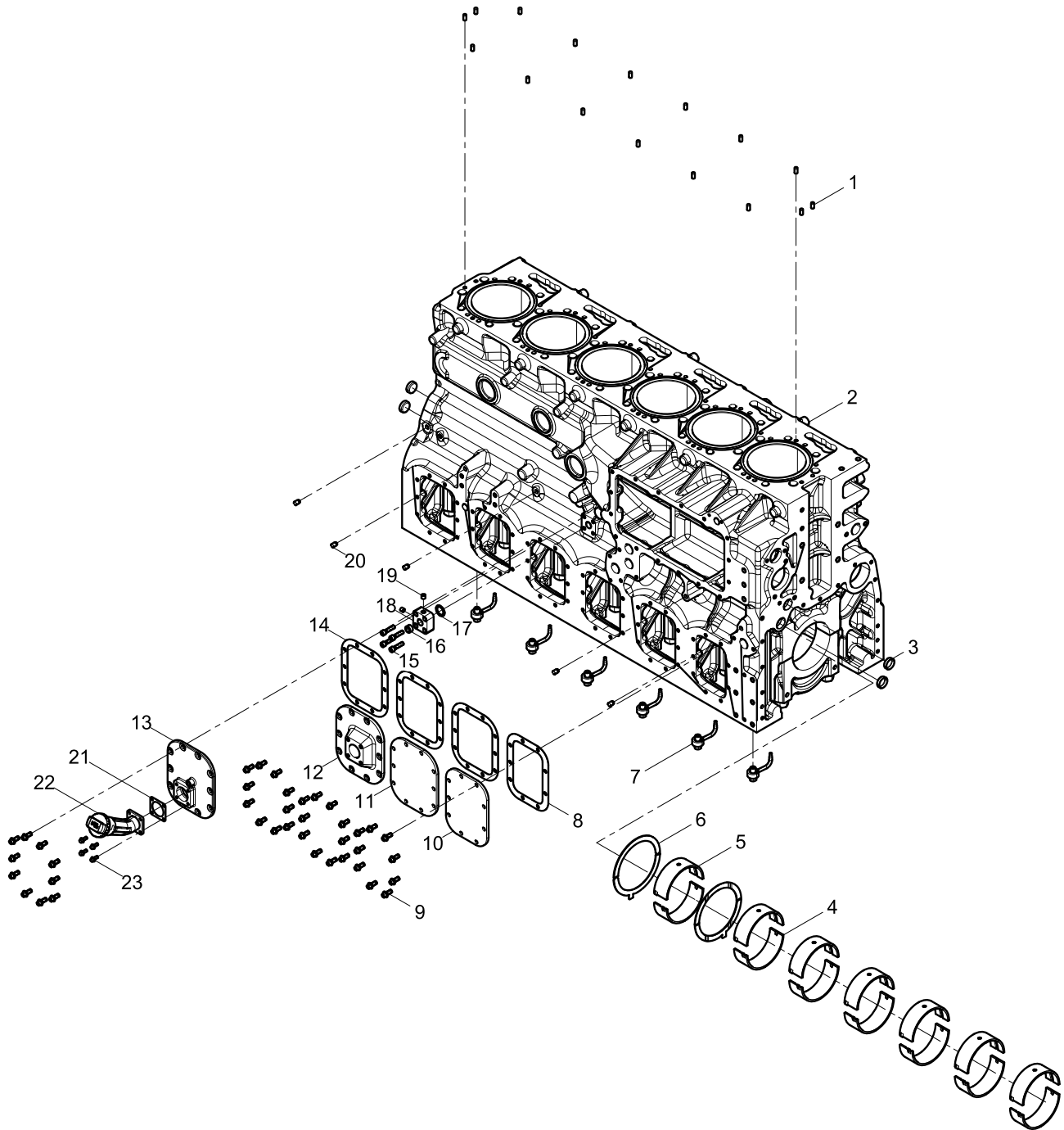
CONTENTS

Engine Block Group	1
crankcase pre-assembly	3
Oil Filter Seat Set	5
Thrust Plate Set	7
Flywheel Housing Group.....	9
Front cover group	11
Crankshaft Group.....	13
Crankshaft Assembly	15
Flywheel Group	17
Flywheel Assembly	19
Piston and Connecting Rod Group	21
Connecting Rod Assembly	23
Cylinder Head Group	25
Cylinder Head Subassembly	27
Cylinder Head Cover Group.....	29
Cylinder Head Cover	31
Cylinder head oil pipe group	33
Valve Train Group	35
Camshaft Assembly.....	37
Push Rod.....	39
Valve Bridge Set.....	41
Exhaust Rocker Arm Assembly	43
Exhaust Rocker Arm Set	45
Rocker Arm Shaft Set.....	47
Intake Rocker Arm Assembly	49
Intake Rocker Arm Set.....	51
Gear Drive Group	53
Idler Gear Set.....	55
Idler Gear Set.....	57
Crankshaft Pulley Group	59
Oil Pan Group	61

Oil Pump Group	63
Hand Oil Pump Group	65
Oil Filter Group	67
Oil Cooler Assembly	69
Rotating Centrifugal Lubricating Oil Filter group	71
Centrifuge filter assembly	73
Oil-gas Separator Group	75
Oil-gas Separator	77
Water Pump Group	79
Water Outlet Pipe Group	81
Thermostat Group	83
Fan Bracket Group	85
Fuel Injection Pump Group	87
Electronic Governor Group	89
Fuel Injector Group	91
Low Pressure Fuel Pipe Group	93
Fuel Filter Group	95
Fuel System Protector	97
High Pressure Fuel Pipe Group	99
Intake Manifold Group	101
Turbocharger Group	103
Compressor Pipe Group	105
Air Filter Group	107
Exhaust Manifold Group	109
Rear Exhaust Manifold Group	111
Expansion Joint	113
Shut-down Device Group	115
Tensioner And Belt Group	117
Auxiliary Starting Device Oc	119
Starter Motor Group	121

Engine Bracket Group.....	123
Packing Box Chassis Parts Group.....	125
Separate Delivery Parts Group Attached to Engine.....	127
Parts Box Group	129
Alternator Group	131

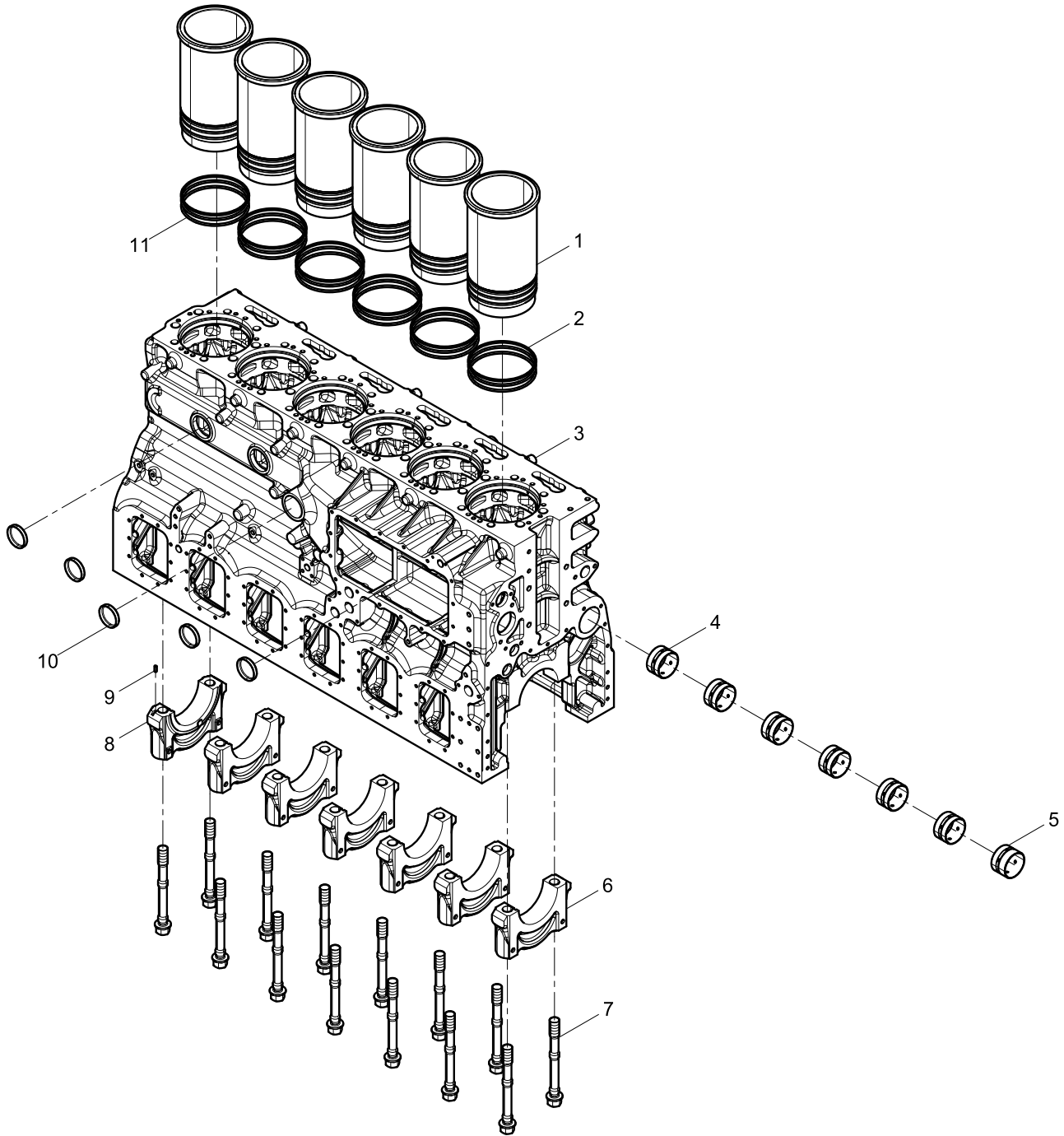
Engine Block Group



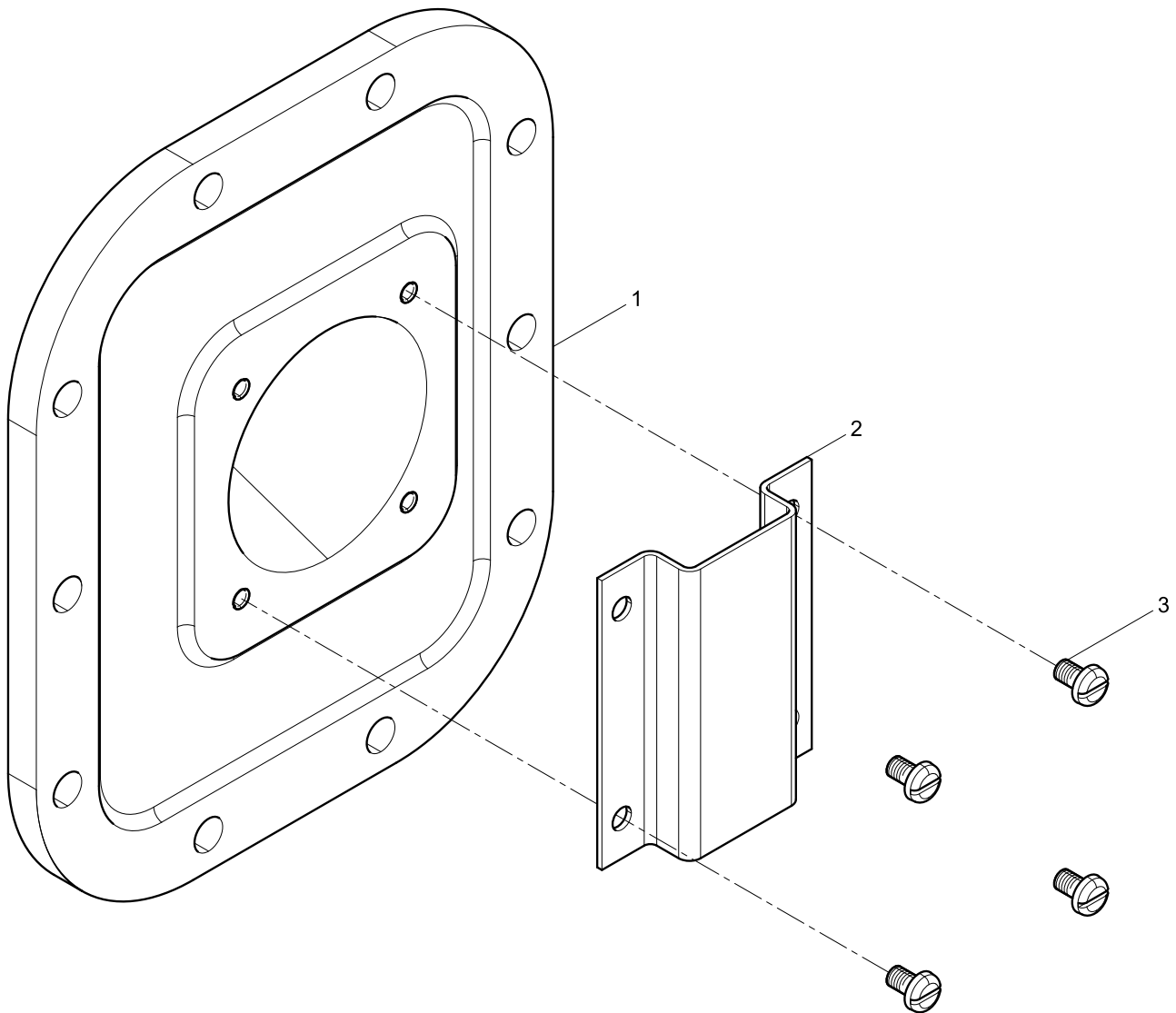
Engine Block Group

Pos.	Teile.Number	Amount	Designation
1	90015210006	16	Parallel Pin
2	331001000223	1	crankcase pre-assembly
3	331001000378	4	Bowl Plug
4	331001000364	7	Main Bearing Lower Shell
5	331001000363	7	Main Bearing Upper Shell
6	331001000211	2	Thrust Plate Set
7	331001000785	6	Piston Nozzle Set
8	331001000168	1	Gasket
9	90011420022	39	Hexagon Flange Bolt
10	331001000165	1	Handhole Cover
11	331001000164	1	Handhole Cover
12	331001000452	1	Oil Filter Seat Set
13	1001357513	1	Handhole Cover
14	331001000167	3	Gasket
15	90013050036	4	Inner Hexagon Socket Head Cap Screw
16	11114710G	1	Hexagon Taper Screw Plug
17	90017510009	1	O-ring
18	330211000026	1	Sensor Seat
19	77701850H	2	Hexagon Taper Screw Plug
20	610800010023	5	Pulling Rivet
21	612600013956	1	Gasket
22	612600015335	1	Oil Filling Tube Assembly
23	9000000719	4	Hexagon Flange Bolt

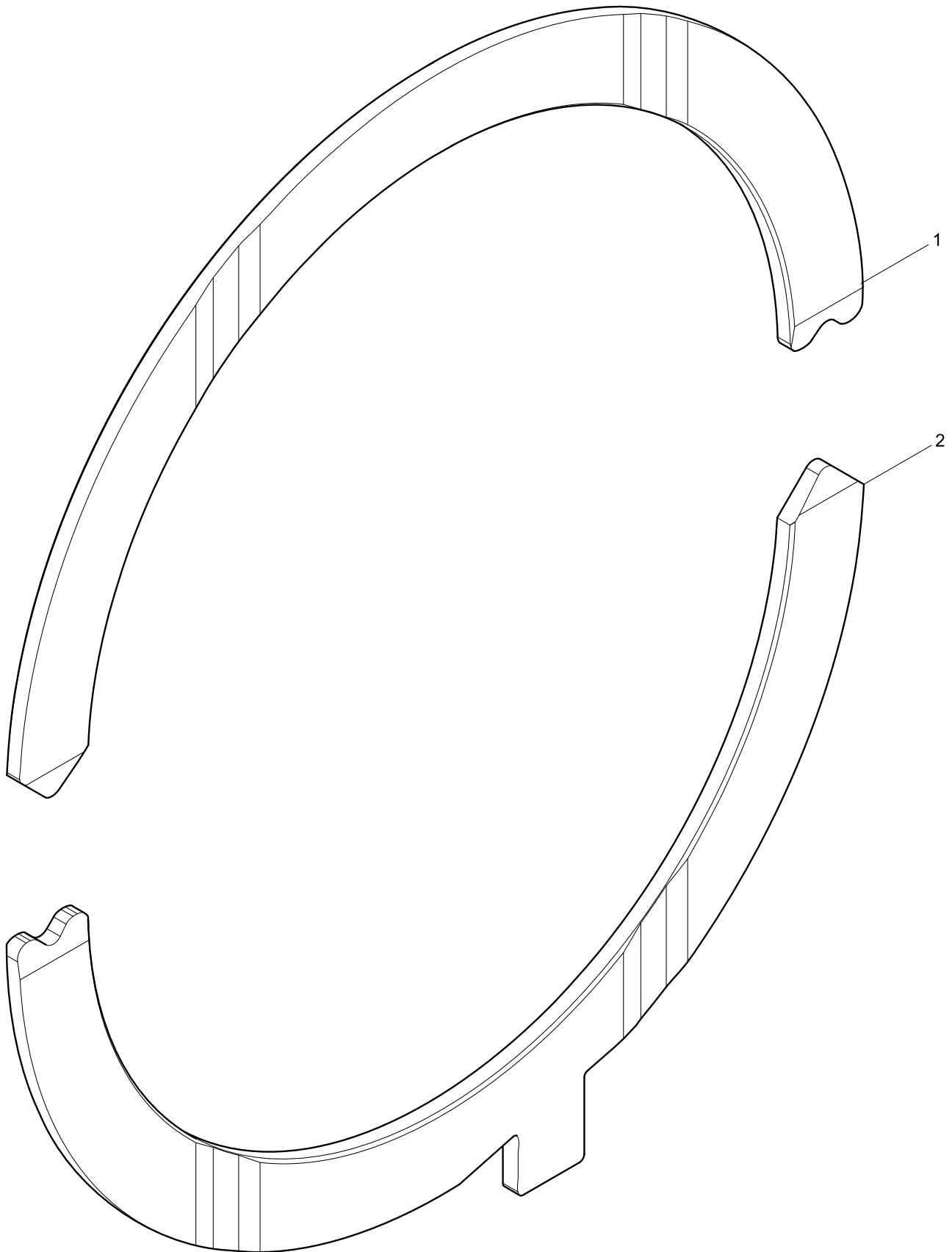
crankcase pre-assembly



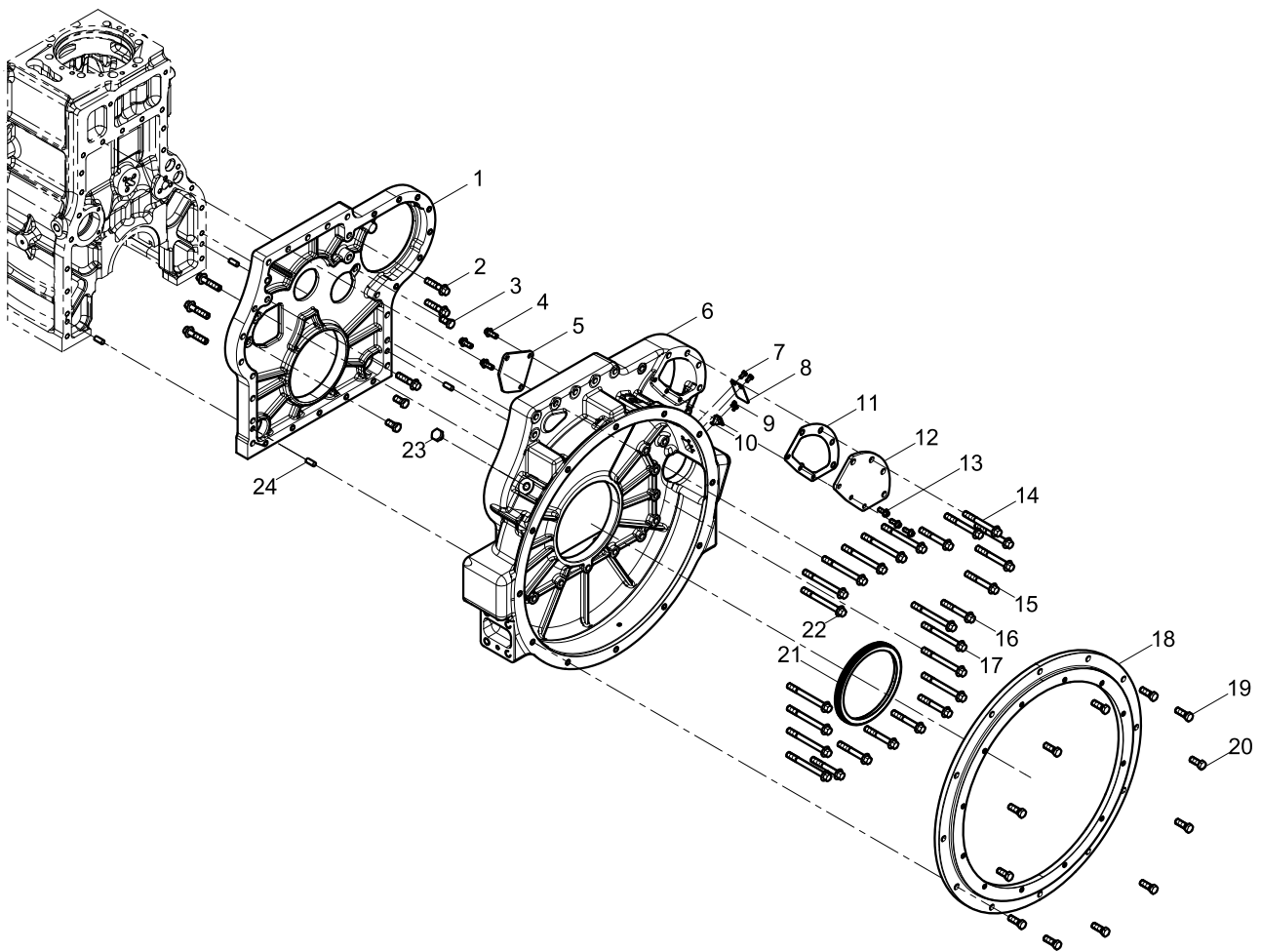
Oil Filter Seat Set



Thrust Plate Set



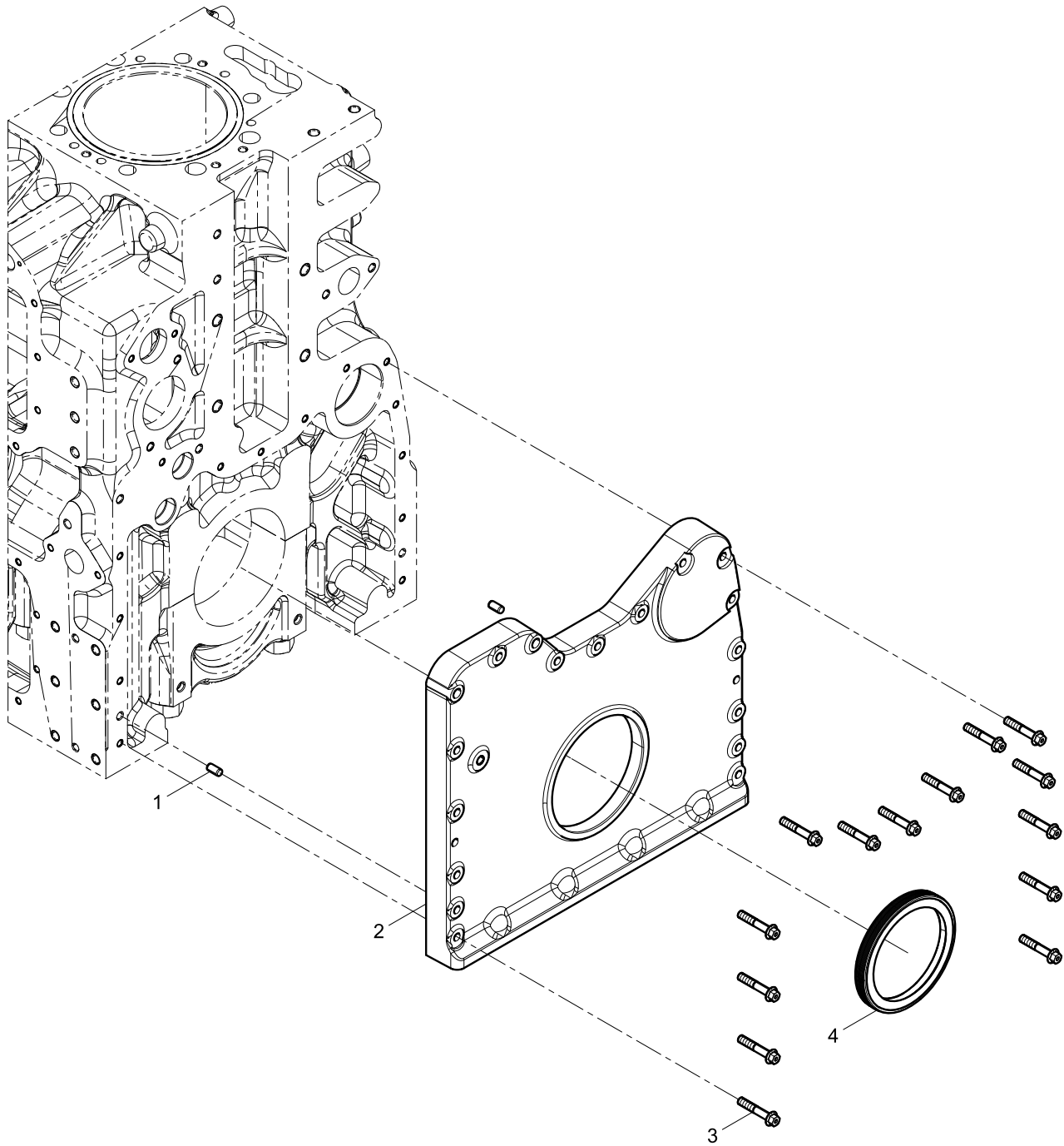
Flywheel Housing Group



Flywheel Housing Group

Pos.	Teile.Number	Amount	Designation
1	331001000203	1	Timing Gear Chamber
2	331001000391	6	Hexagon Flange Bolt
3	331001000392	3	Hexagon Head Bolt
4	90011420007	3	Hexagon Flange Bolt
5	13601570Q	1	Cover
6	331001000202	1	Flywheel Housing
7	9000000716	2	Hexagon Flange Bolt
8	331001000409	1	Handhole Cover Plate
9	90013050051	2	Inner Hexagon Socket Head Cap Screw
10	331001000408	1	Indicator
11	331001000514	1	Gasket
12	331001000220	1	Cover
13	9000000286	3	Hexagon Flange Bolt
14	331001000389	4	Hexagon Flange Bolt
15	331001000390	2	Hexagon Flange Bolt
16	1000844740	6	Hexagon Flange Bolt
17	1000844741	8	Hexagon Flange Bolt
18	331001000207	1	Flywheel Housing Coupling Ring
19	90011270022	10	Hexagon head bolt
20	90011350041	2	Hexagon Head Bolt
21	331001000132	1	Rear Oil Seal
22	331001000377	6	Hexagon Flange Bolt
23	612600012744	1	Hexagon Screw Plug
24	90015040010	4	Parallel Pin

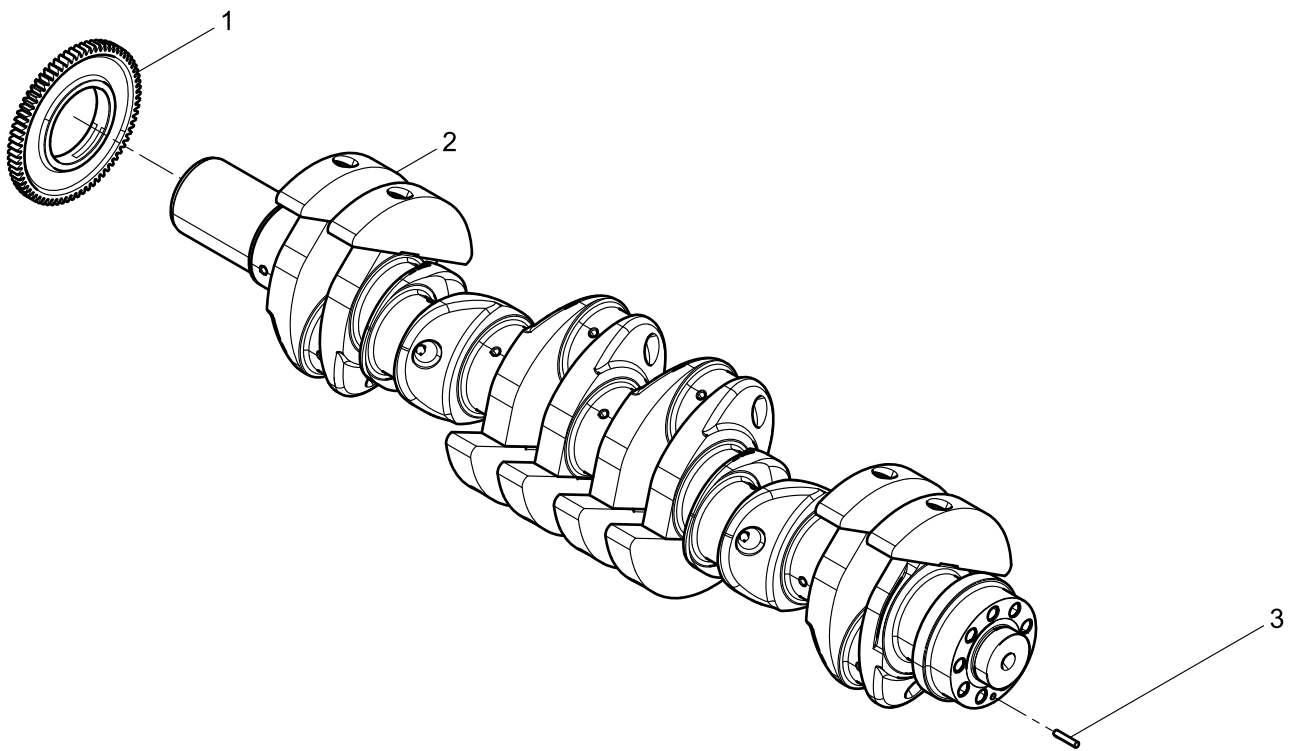
Front cover group



Front cover group

Pos.	Teile.Number	Amount	Designation
1	90015210006	2	Parallel Pin
2	331001000159	1	Front Cap
3	9000000591	14	Hexagon Flange Bolt
4	331001000214	1	Front Oil Seal

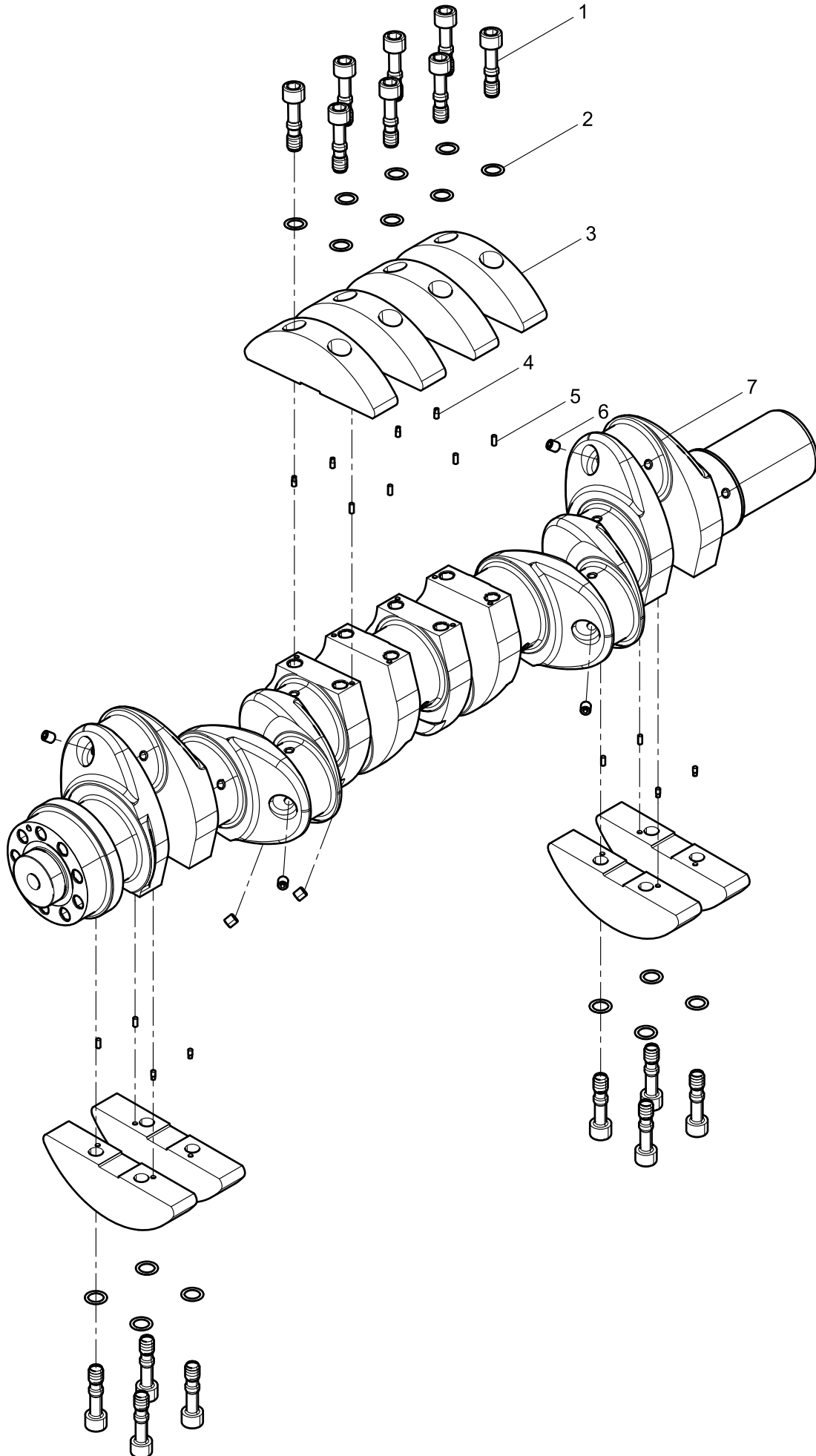
Crankshaft Group



Crankshaft Group

Pos.	Teile.Number	Amount	Designation
1	331002000146	1	Crankshaft Gear
2	331002000099	1	Crankshaft Assembly
3	90015050028	1	Parallel Pin

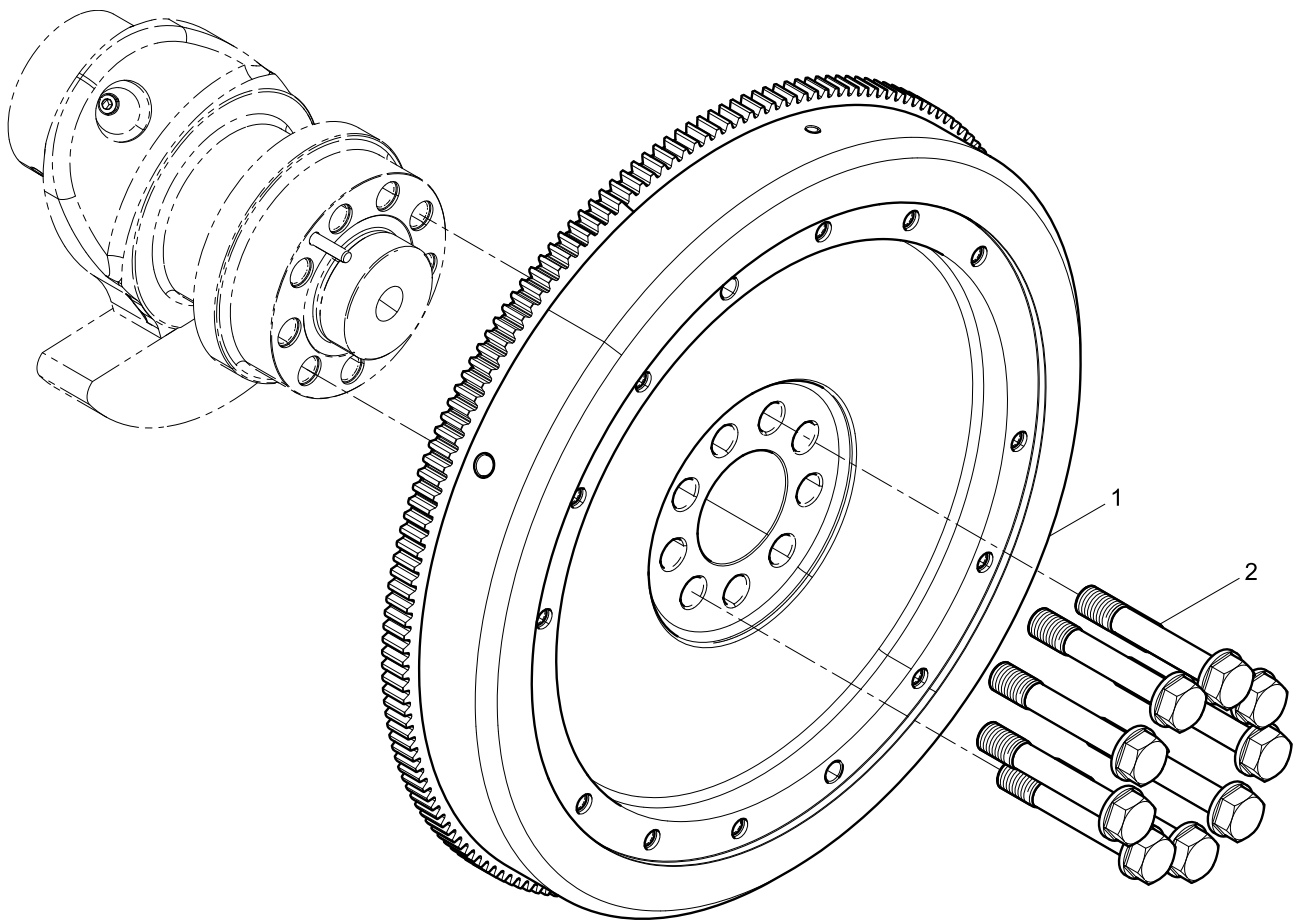
Crankshaft Assembly



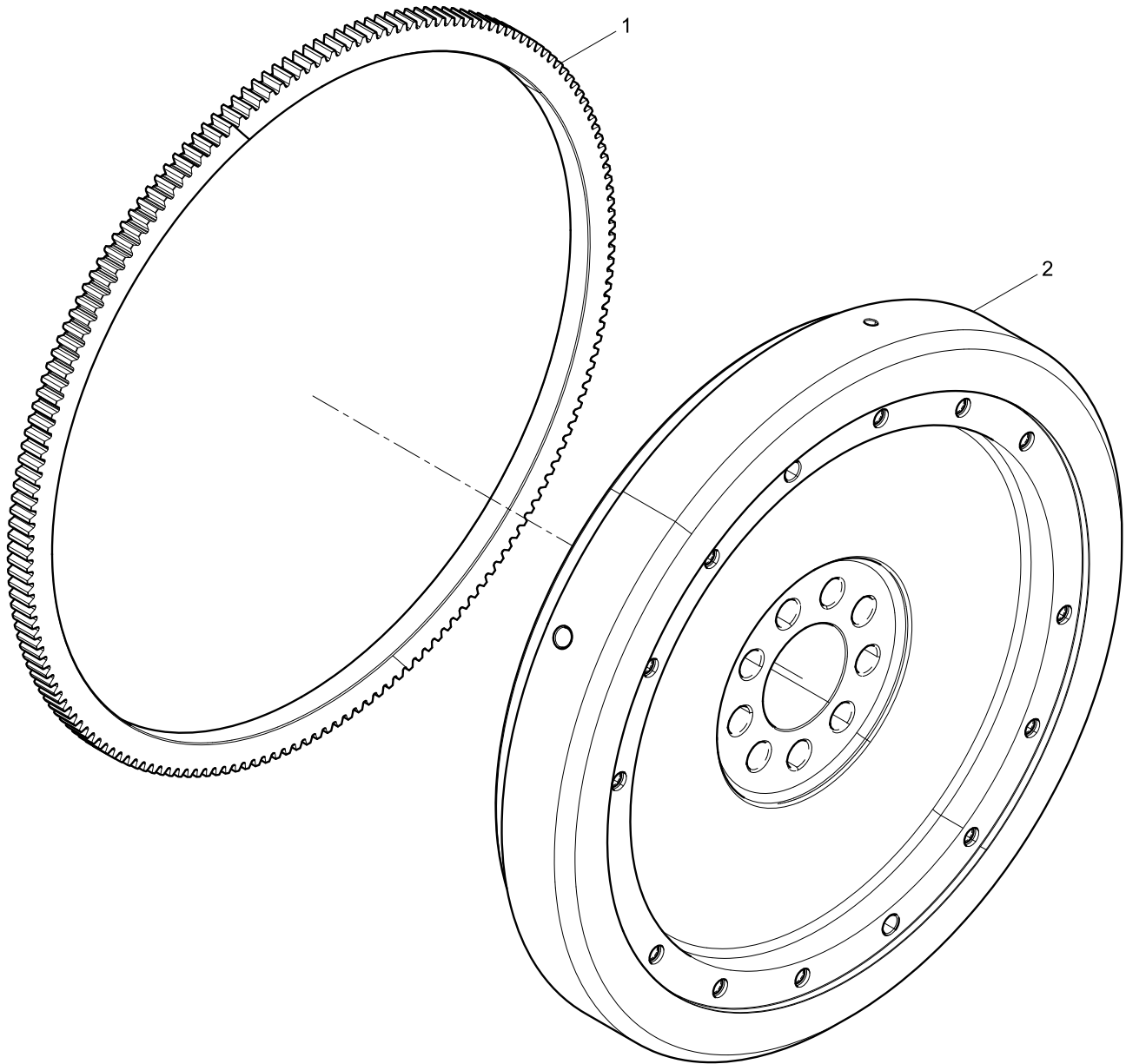
Crankshaft Assembly

Pos.	Teile.Number	Amount	Designation
1	331002000100	16	Counterweight Fixing Bolt
2	15020310Z	16	Washer
3	331002000098	8	Counterweight
4	X6231.296W	8	Diamond Pin
5	X6231.295W	8	Parallel Pin
6	13605340N	6	Screw Plug
7	331002000049	1	Crankshaft

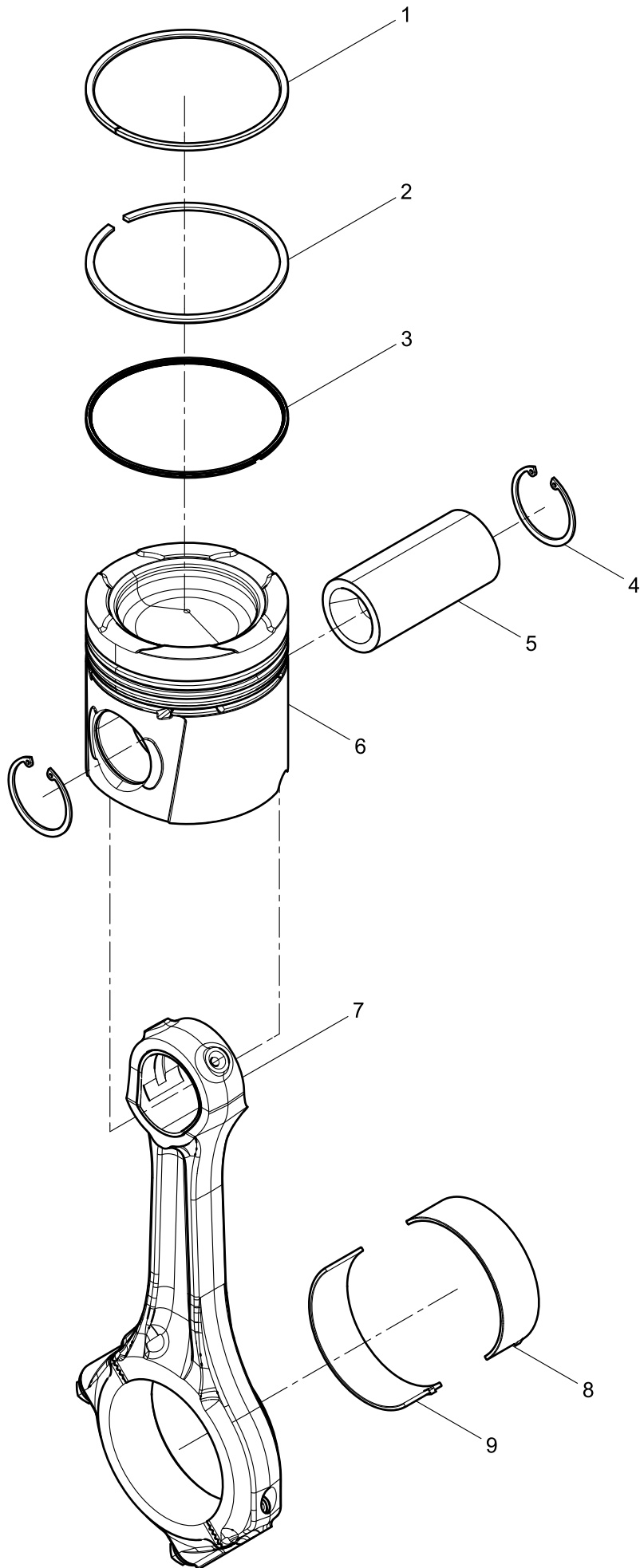
Flywheel Group



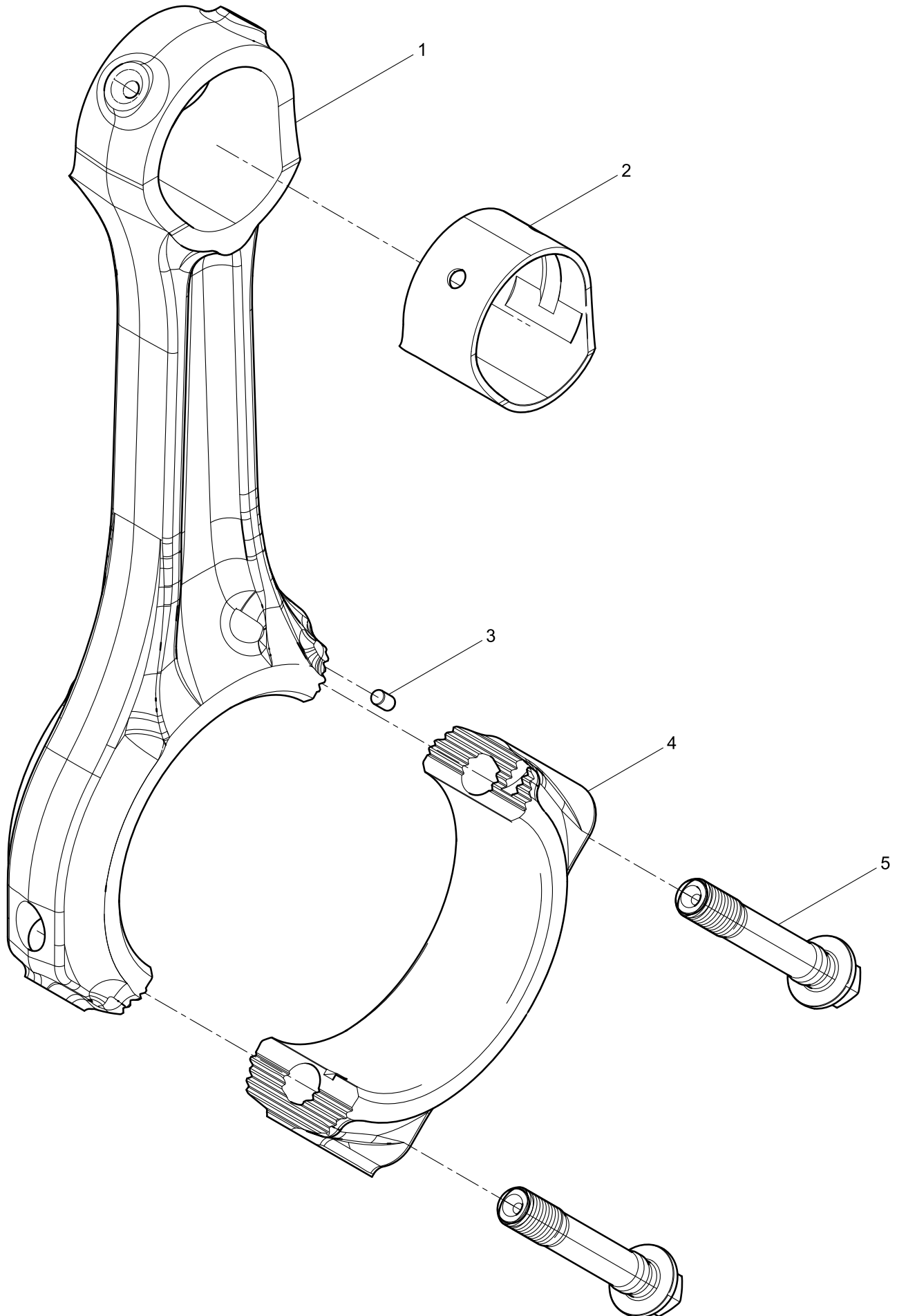
Flywheel Assembly



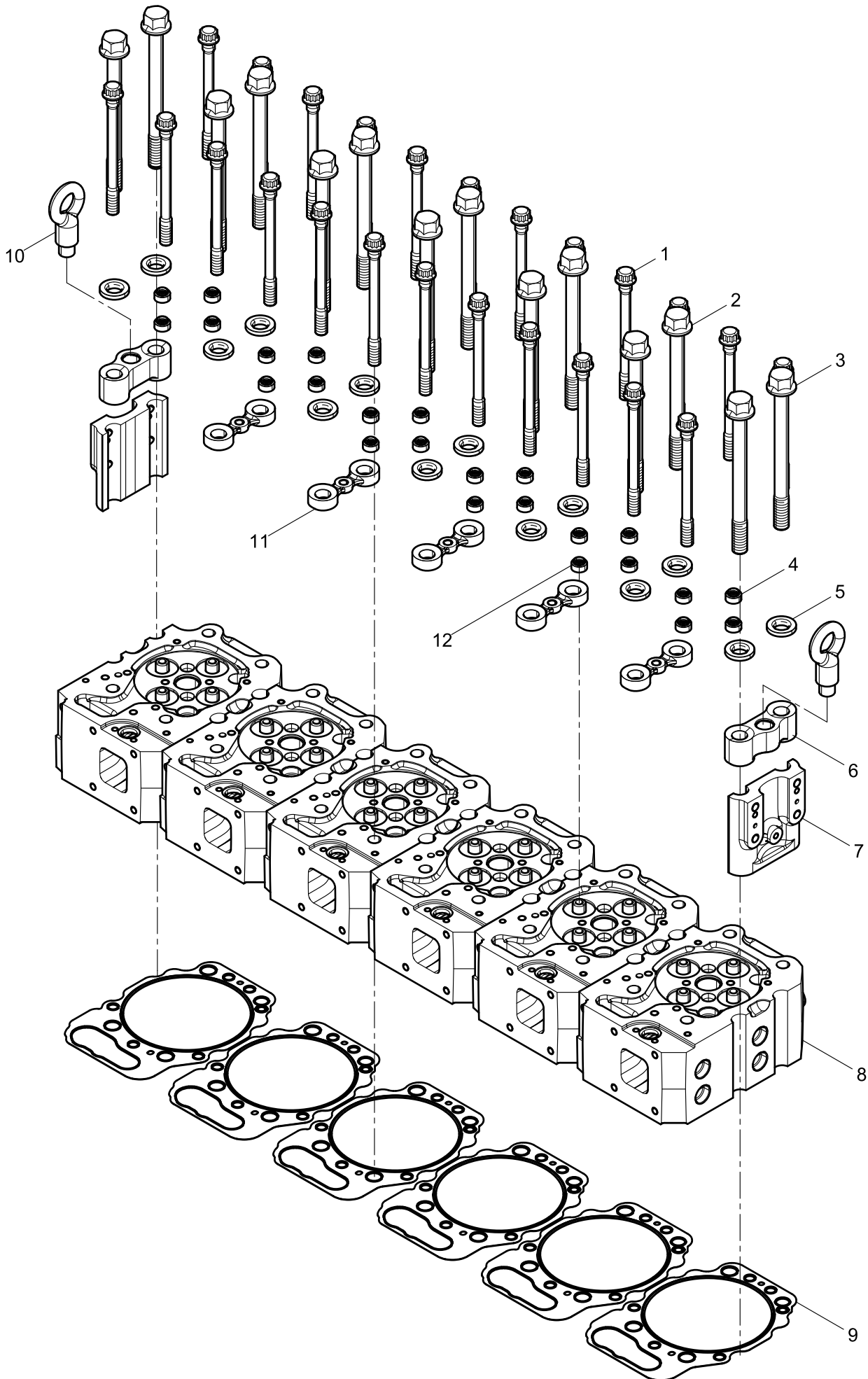
Piston and Connecting Rod Group



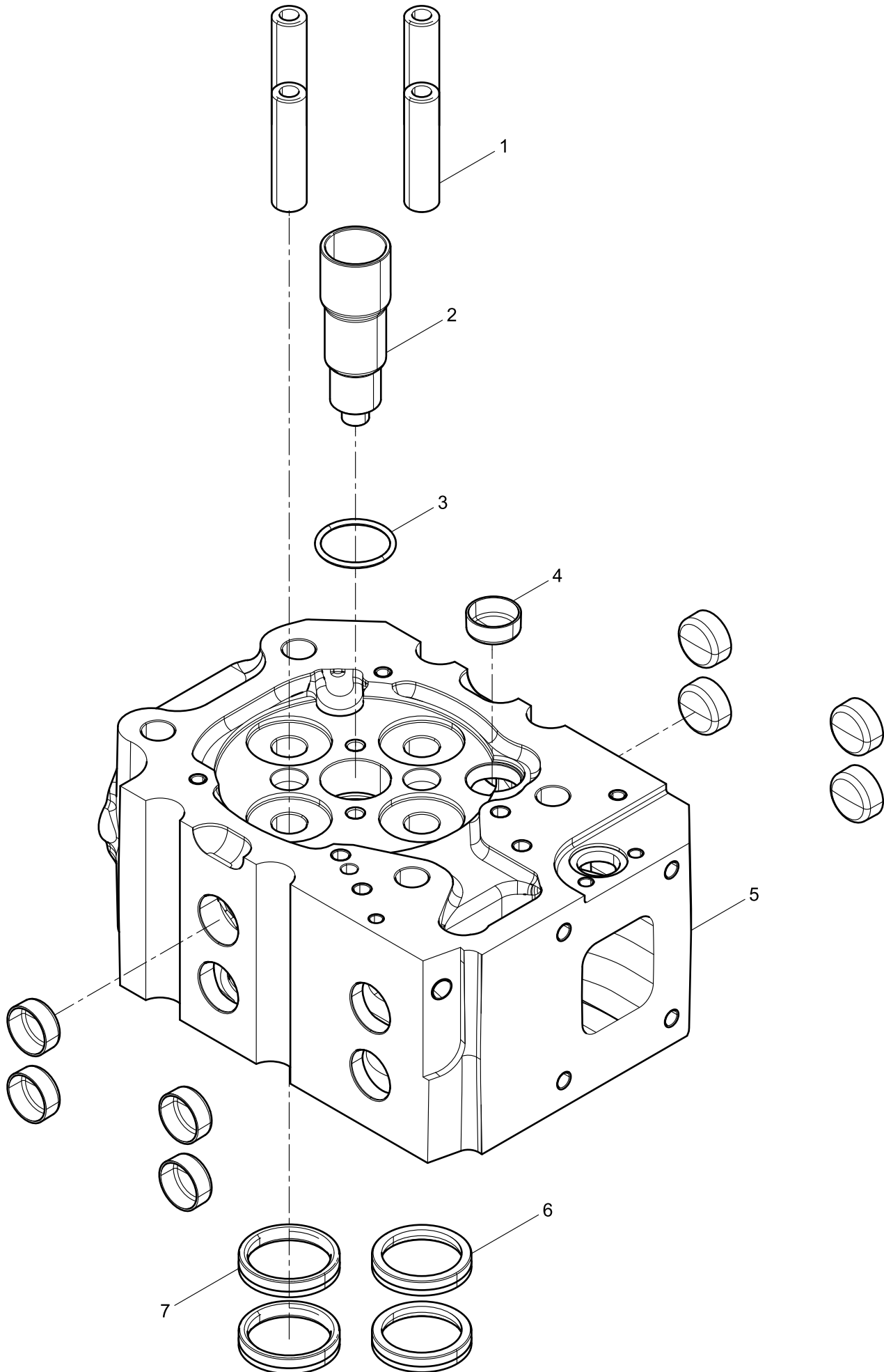
Connecting Rod Assembly



Cylinder Head Group



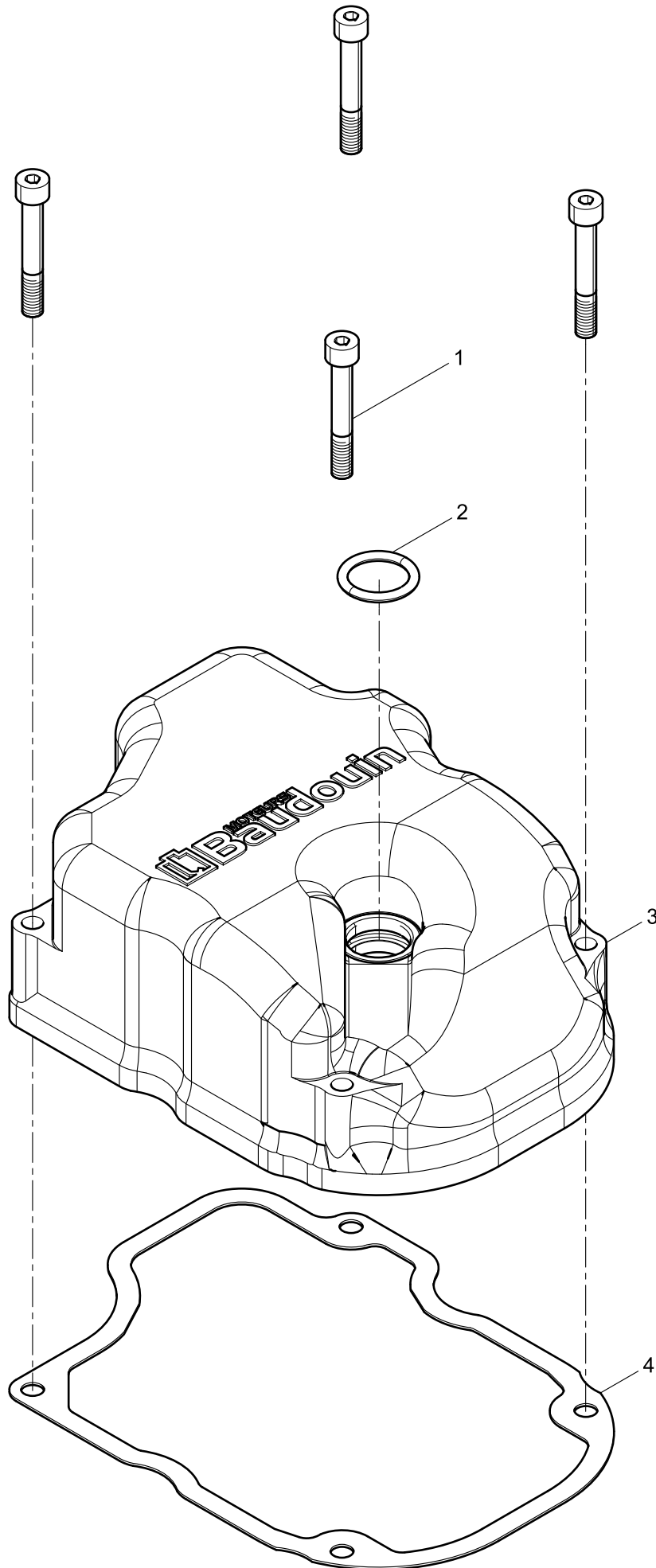
Cylinder Head Subassembly



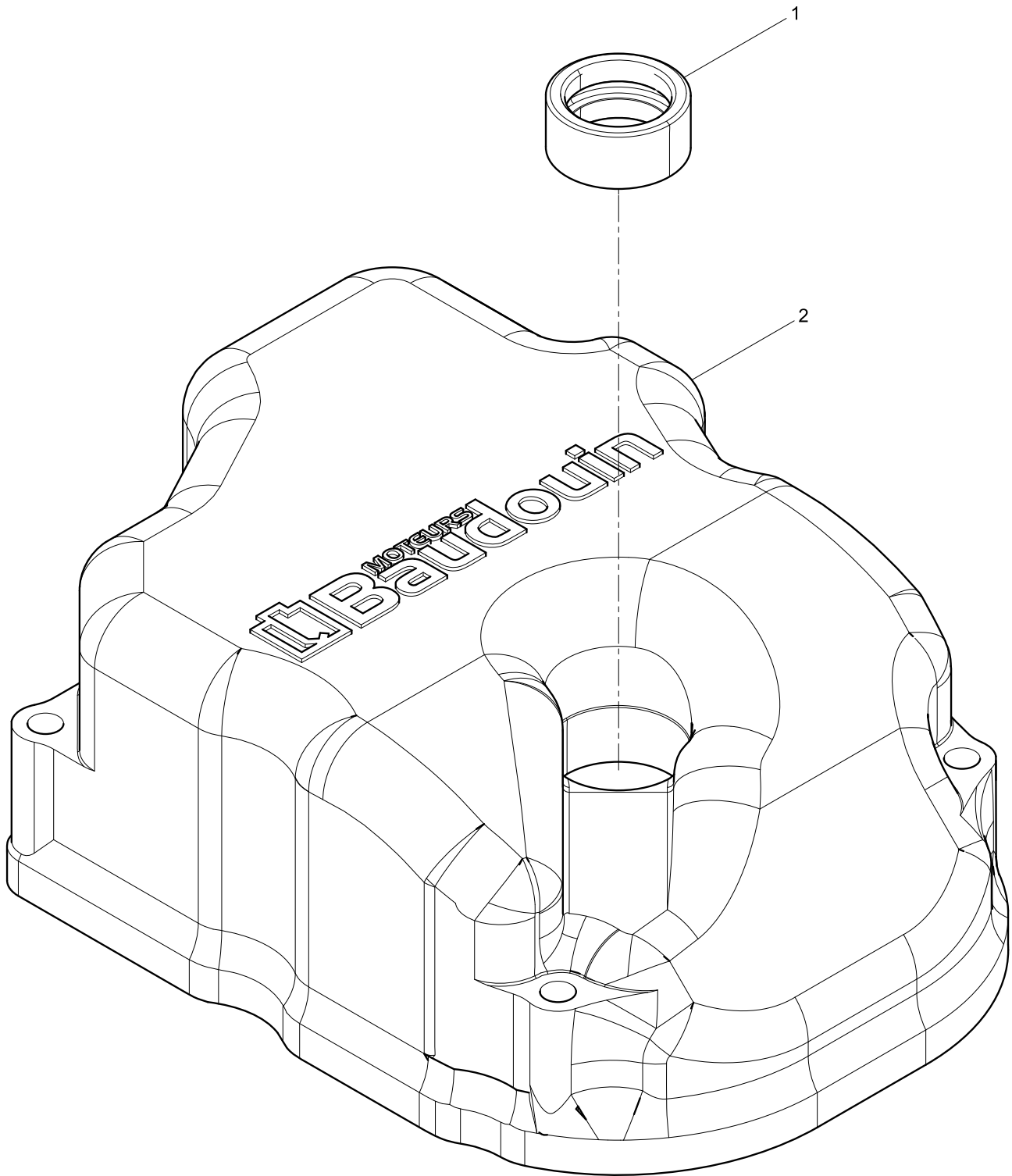
Cylinder Head Subassembly

Pos.	Teile.Number	Amount	Designation
1	331001000155	24	Valve Guide
2	331001000171	6	Injector Bush
3	77711170N	6	O-ring
4	330301000056	54	Bowl Plug
5	331001000069	6	Cylinder Head
6	331001000045	12	Exhaust Valve Seat
7	331001000044	12	Intake Valve Seat

Cylinder Head Cover Group



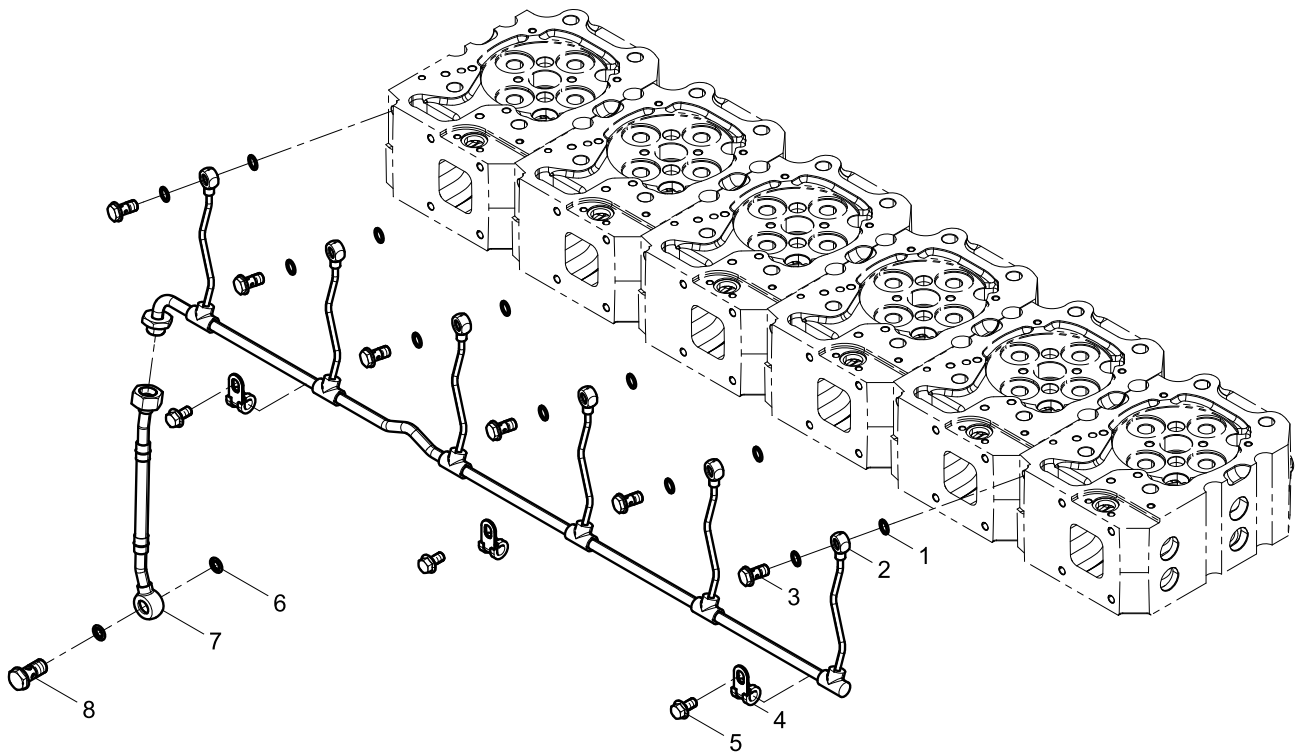
Cylinder Head Cover



Cylinder Head Cover

Pos.	Teile.Number	Amount	Designation
1	330201000039	1	Sleeves
2	331001000252	1	Cylinder Head Cover

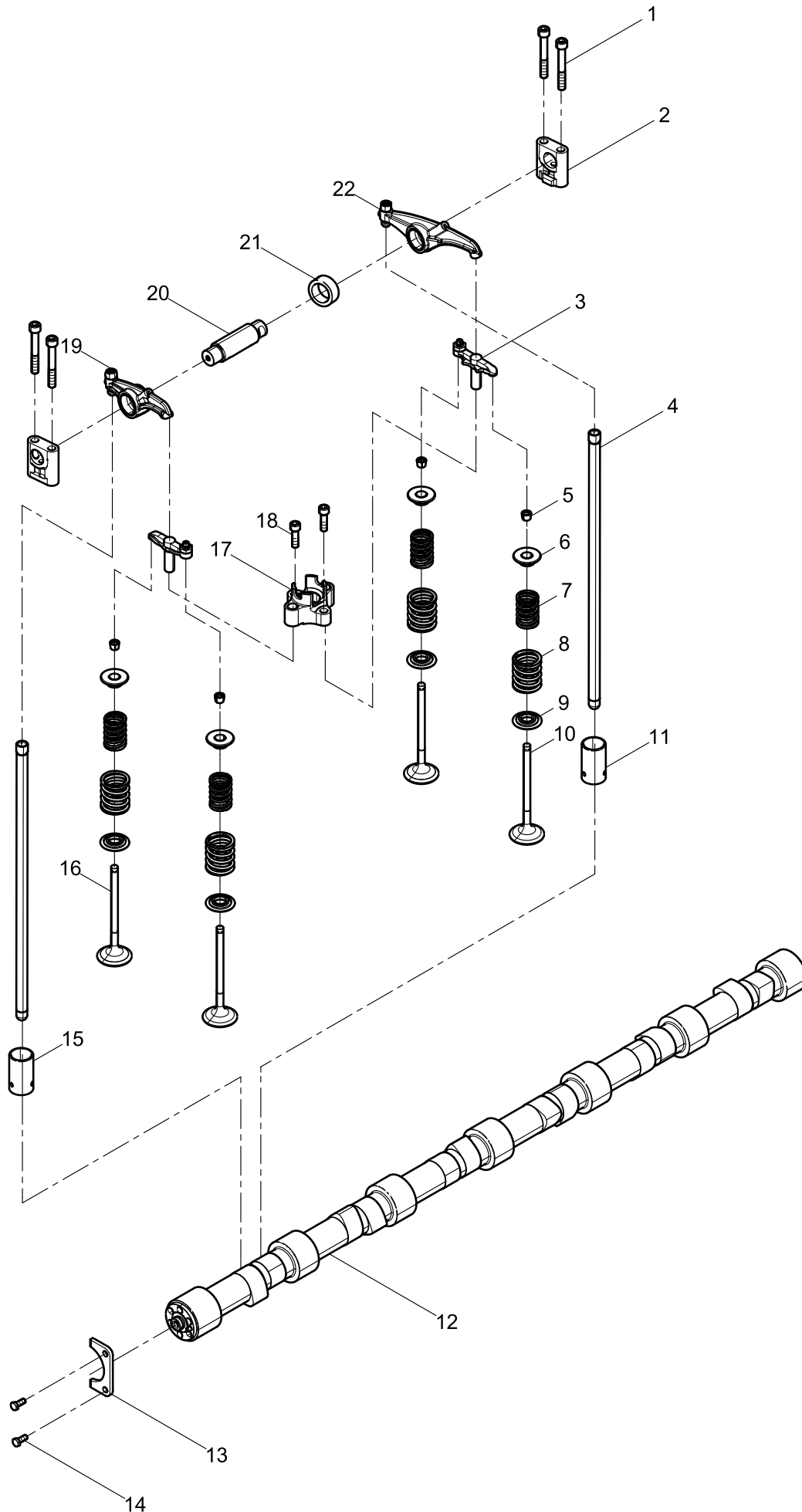
Cylinder head oil pipe group



Cylinder head oil pipe group

Pos.	Teile.Number	Amount	Designation
1	90003098012	12	Sealing Washer
2	331001000685	1	Rocker Arm Oil Pipe
3	331001000653	6	Bolt
4	331001000070	3	Pipe Clamp Assembly
5	90011400027	3	Hexagon Flange Bolt
6	13023361	2	Assembled Sealing Washer
7	331001000679	1	Rocker Arm Oil Pipe
8	331004000432	1	Bolt

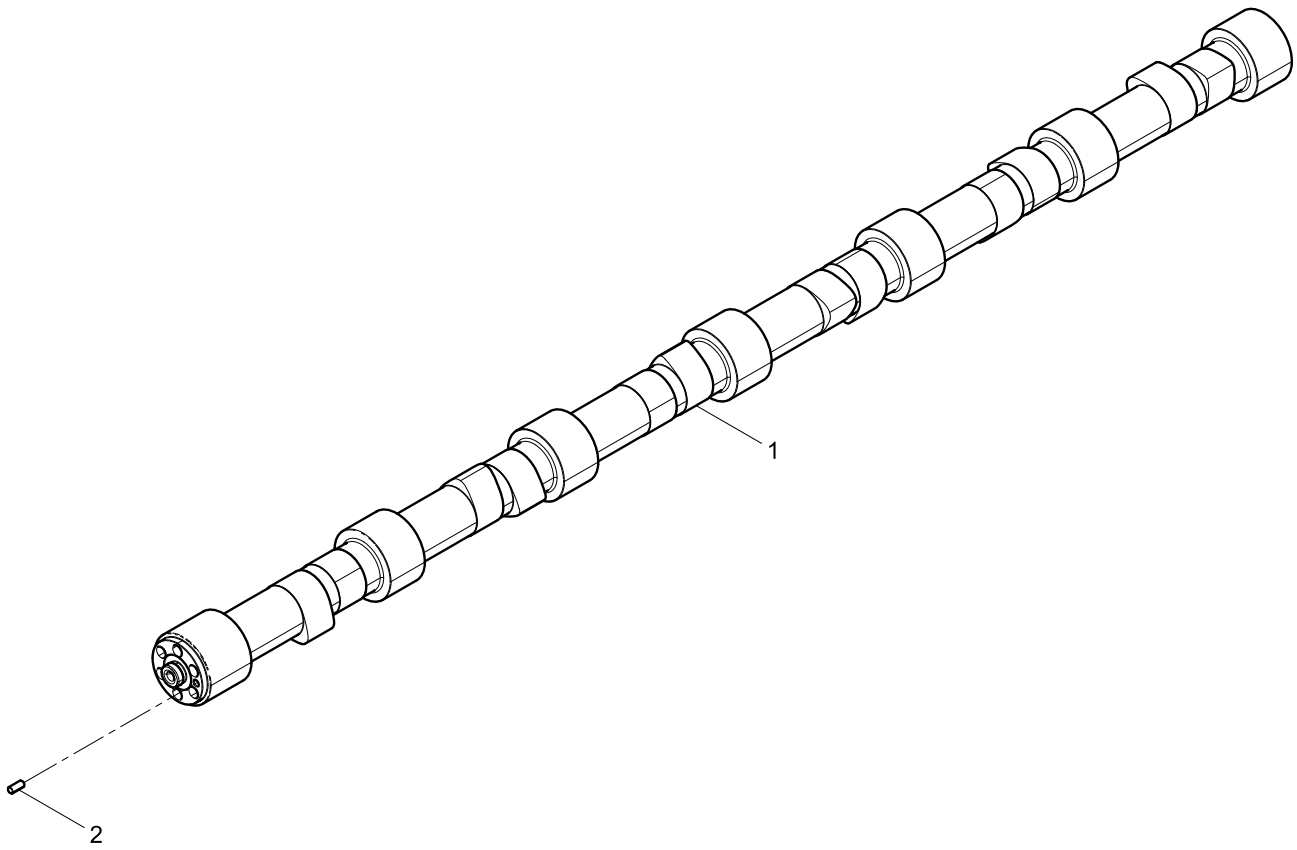
Valve Train Group



Valve Train Group

Pos.	Teile.Number	Amount	Designation
1	77753250CS	24	Inner Hexagon Socket Head Cap Screw
2	331002000157	12	Rocker Arm Bracket
3	331002000103	12	Valve Bridge Set
4	331002000323	12	Push Rod
5	14010780J	48	Valve Collet
6	331002000159	24	Valve Spring Top Retainer
7	14010390K	24	Inner Valve Spring
8	14010380Z	24	Outer Valve Spring
9	331002000053	24	Valve Spring Bottom Retainer
10	331002000050	12	Intake Valve
11	331002000366	6	Tappet
12	331002000174	1	Camshaft Assembly
13	331002000175	1	Camshaft Thrust Plate
14	90003802443	2	Hexagon Head Bolt
15	331002000153	6	Tappet
16	331002000051	12	Exhaust Valve
17	331002000038	6	Valve Bridge Seat
18	77753190M	12	
19	331002000403	6	Exhaust Rocker Arm Assembly
20	331002000393	6	Rocker Arm Shaft Set
21	331002000039	6	Sleeve
22	331002000406	6	Intake Rocker Arm Assembly

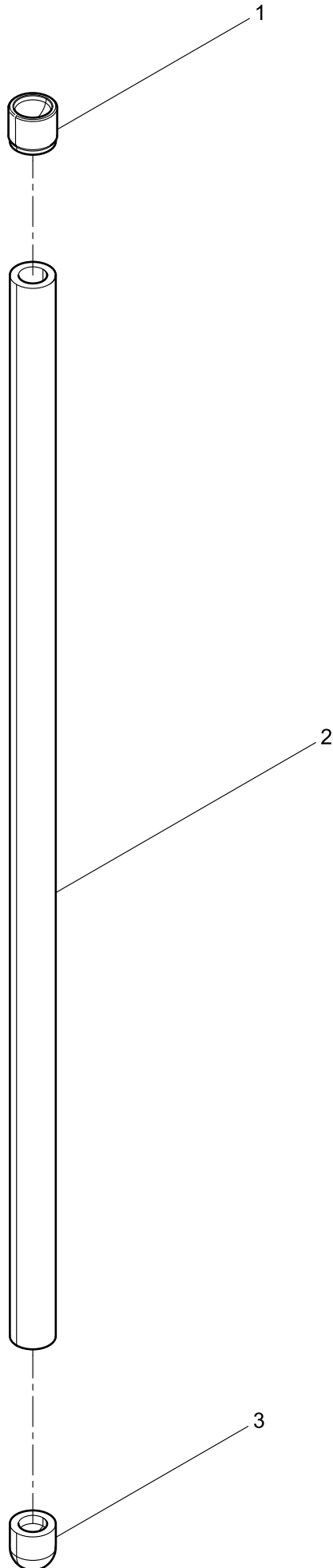
Camshaft Assembly



Camshaft Assembly

Pos.	Teile.Number	Amount	Designation
1	331002000101	1	Camshaft
2	90003901314	1	Parallel Pin

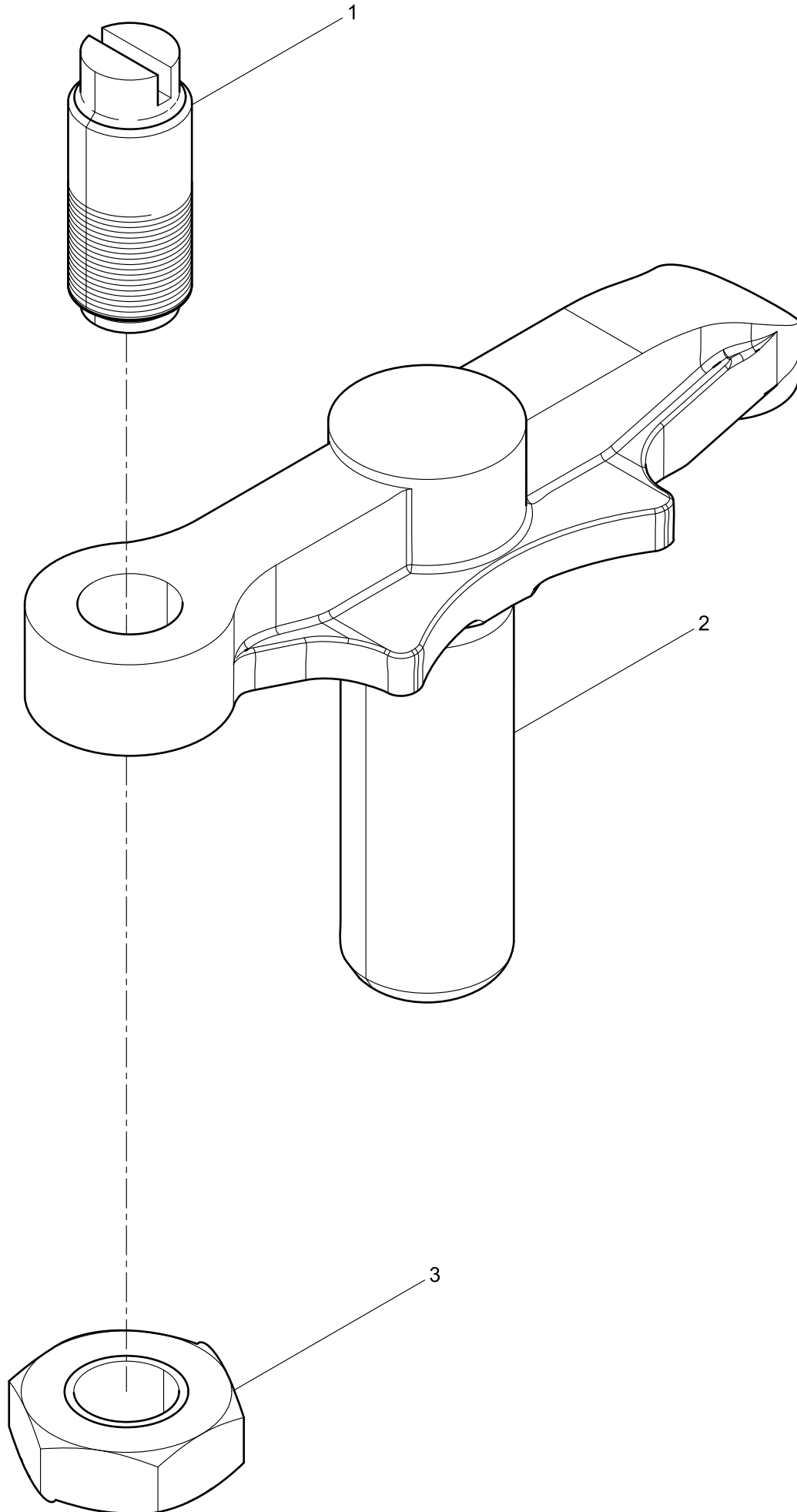
Push Rod



Push Rod

Pos.	Teile.Number	Amount	Designation
1	331002000325	12	Push Rod Concave Head
2	331002000324	12	Push Rod Body
3	331002000326	12	Push Rod Sphere Head

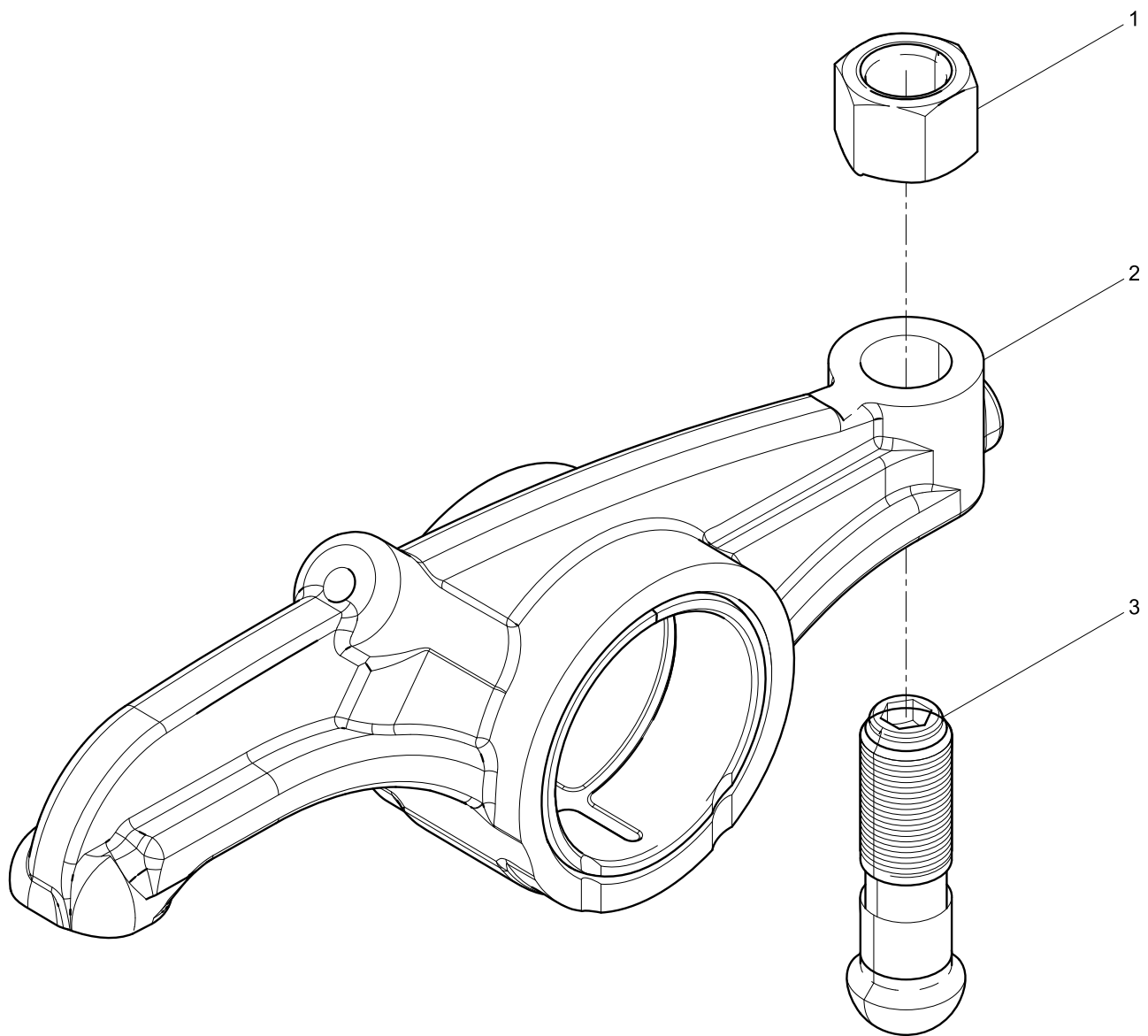
Valve Bridge Set



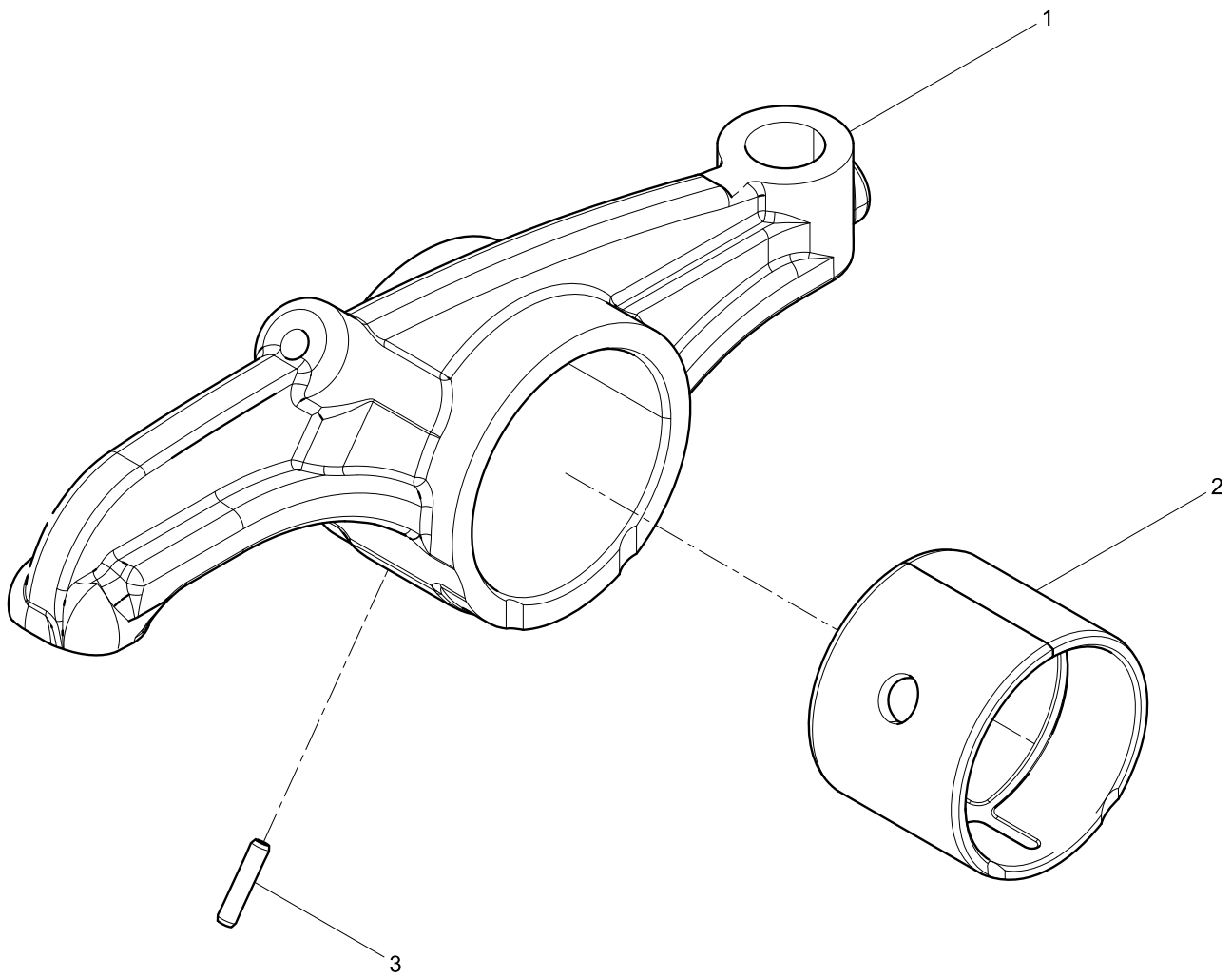
Valve Bridge Set

Pos.	Teile.Number	Amount	Designation
1	13504090J	12	Adjusting Screw
2	13504230L	12	Hexagon Lock Nut
3	331002000037	12	Valve Bridge

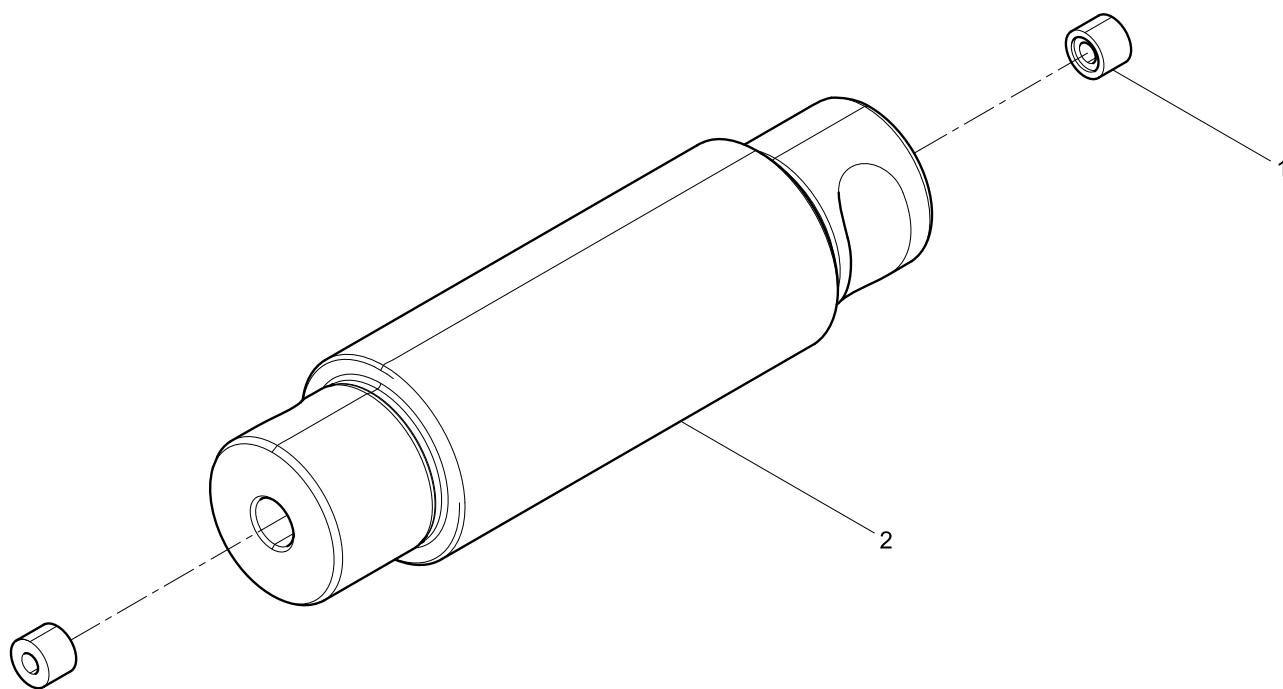
Exhaust Rocker Arm Assembly



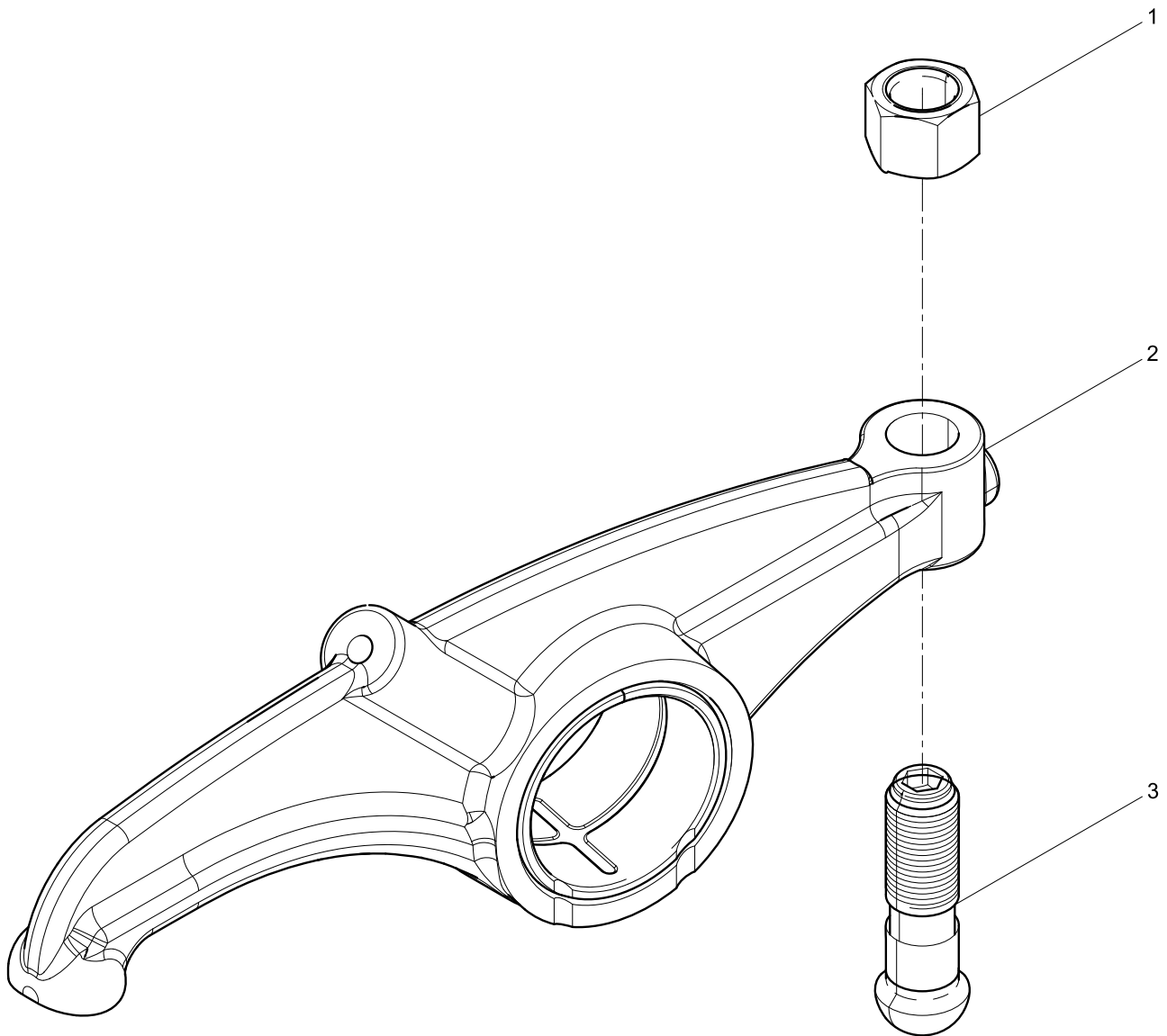
Exhaust Rocker Arm Set



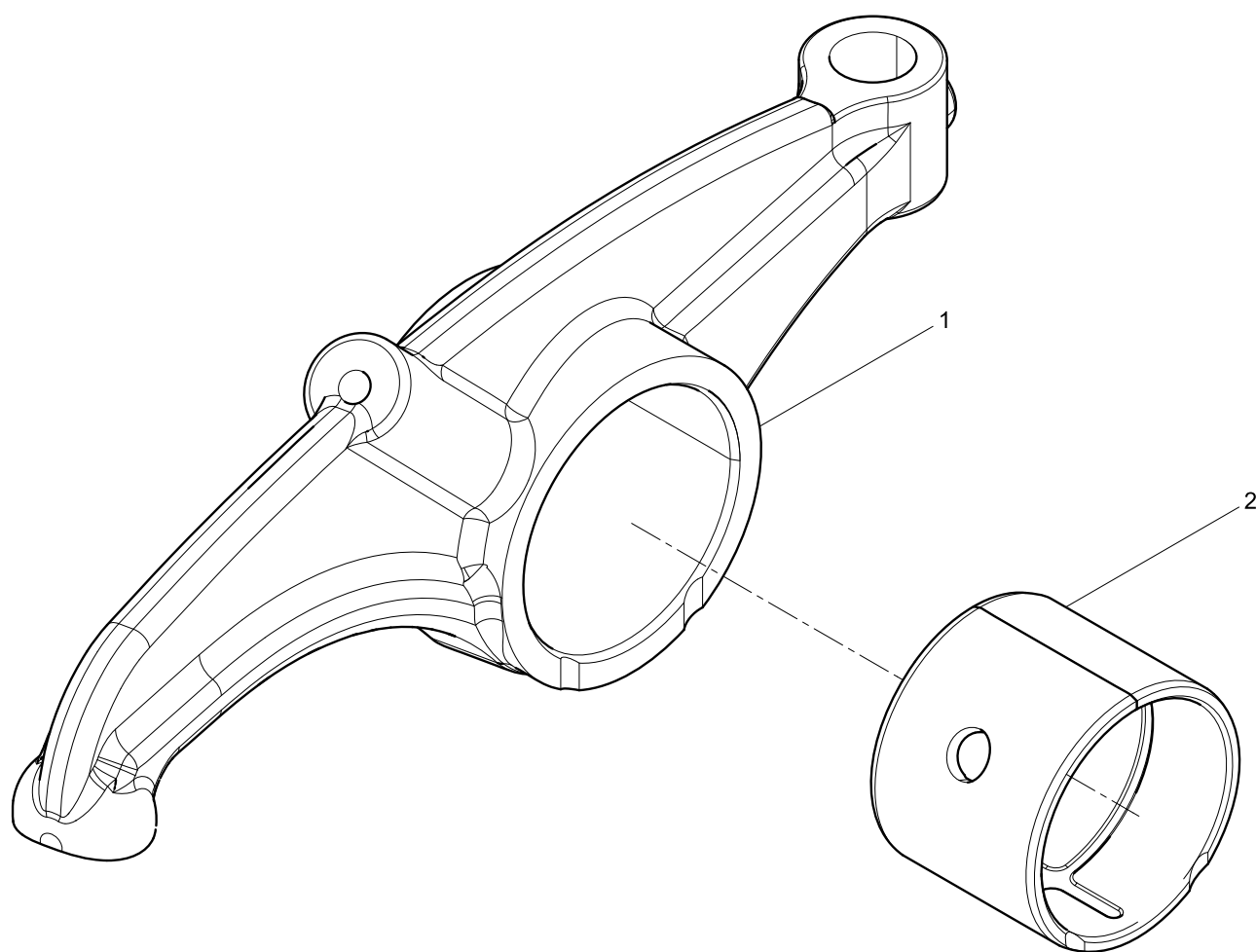
Rocker Arm Shaft Set



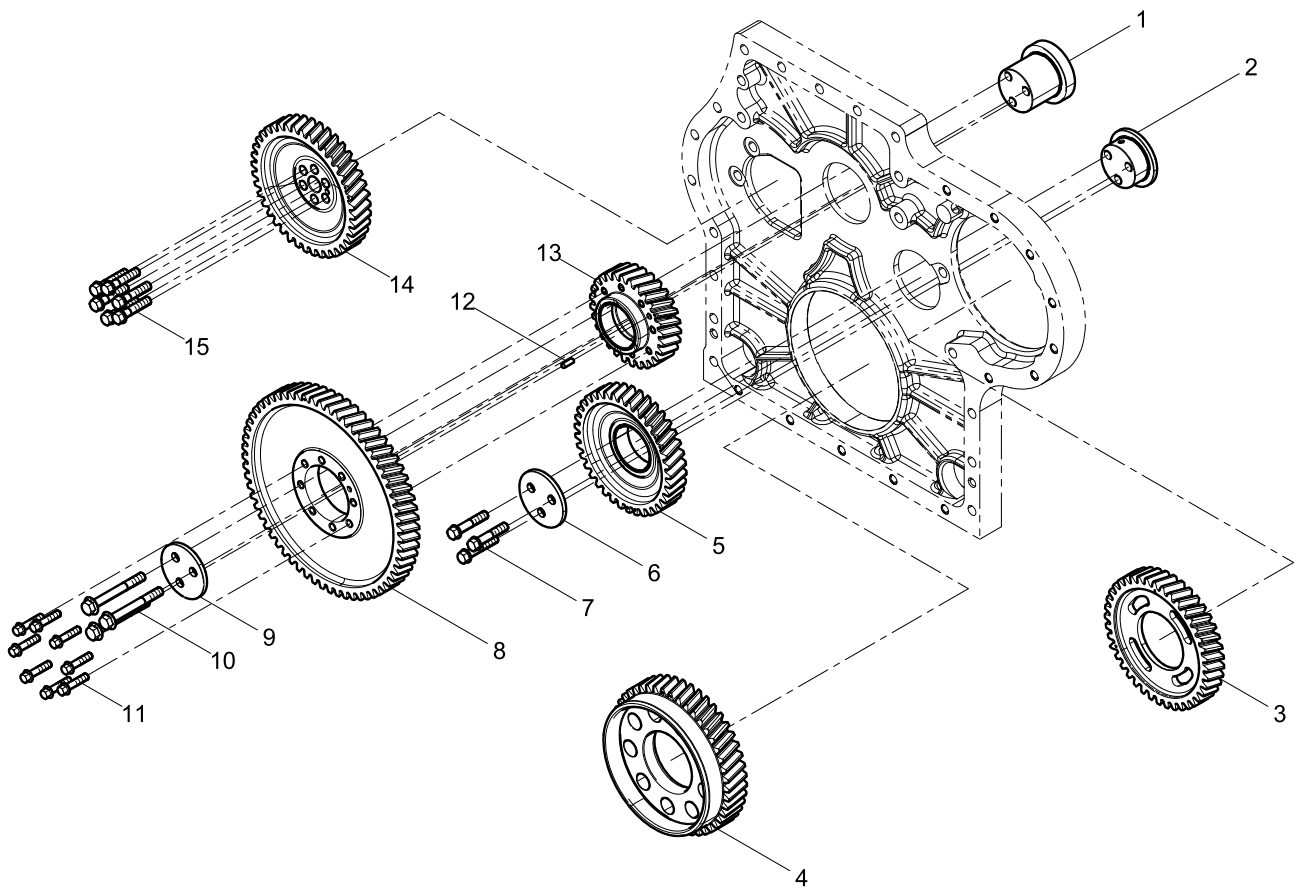
Intake Rocker Arm Assembly



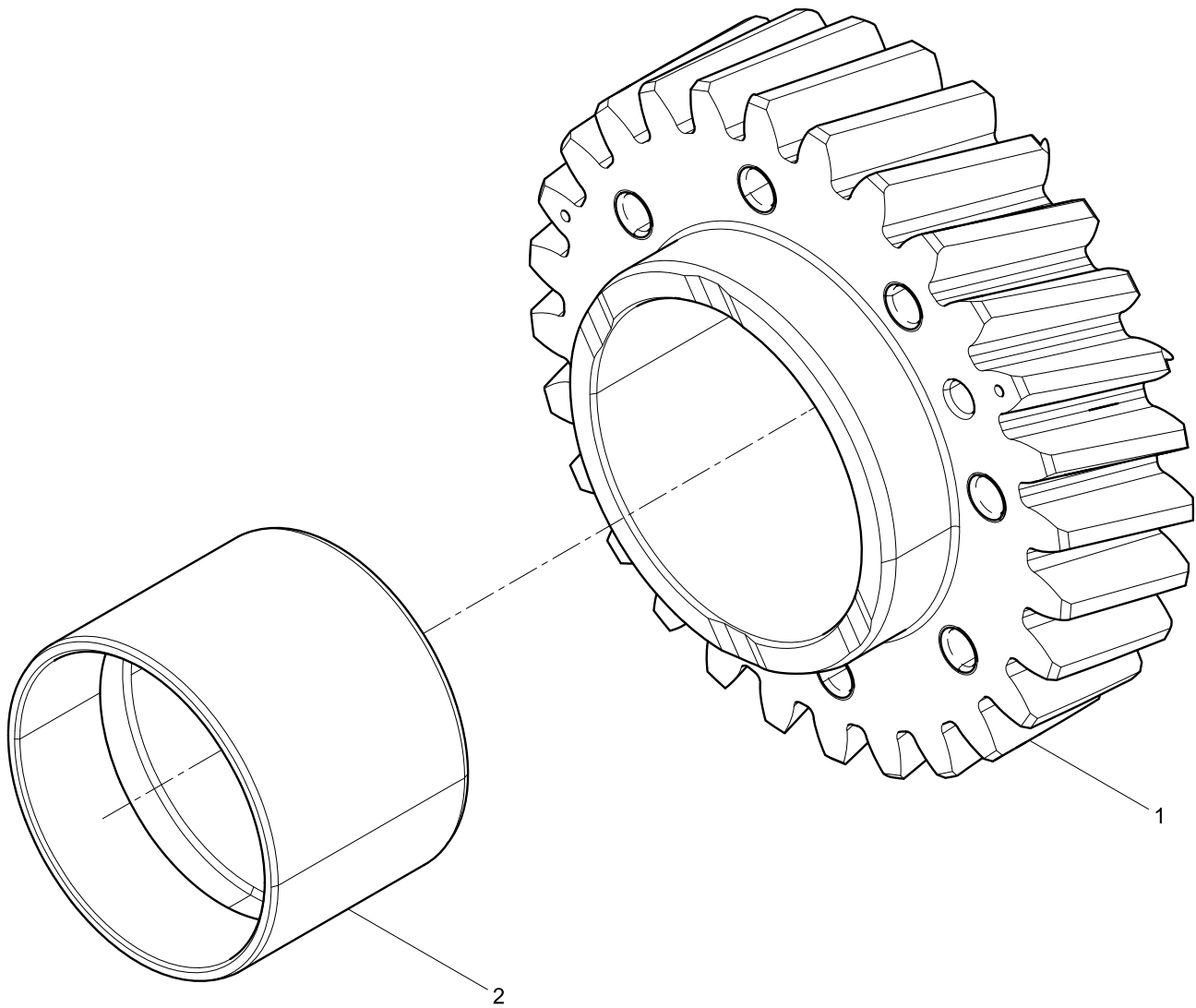
Intake Rocker Arm Set



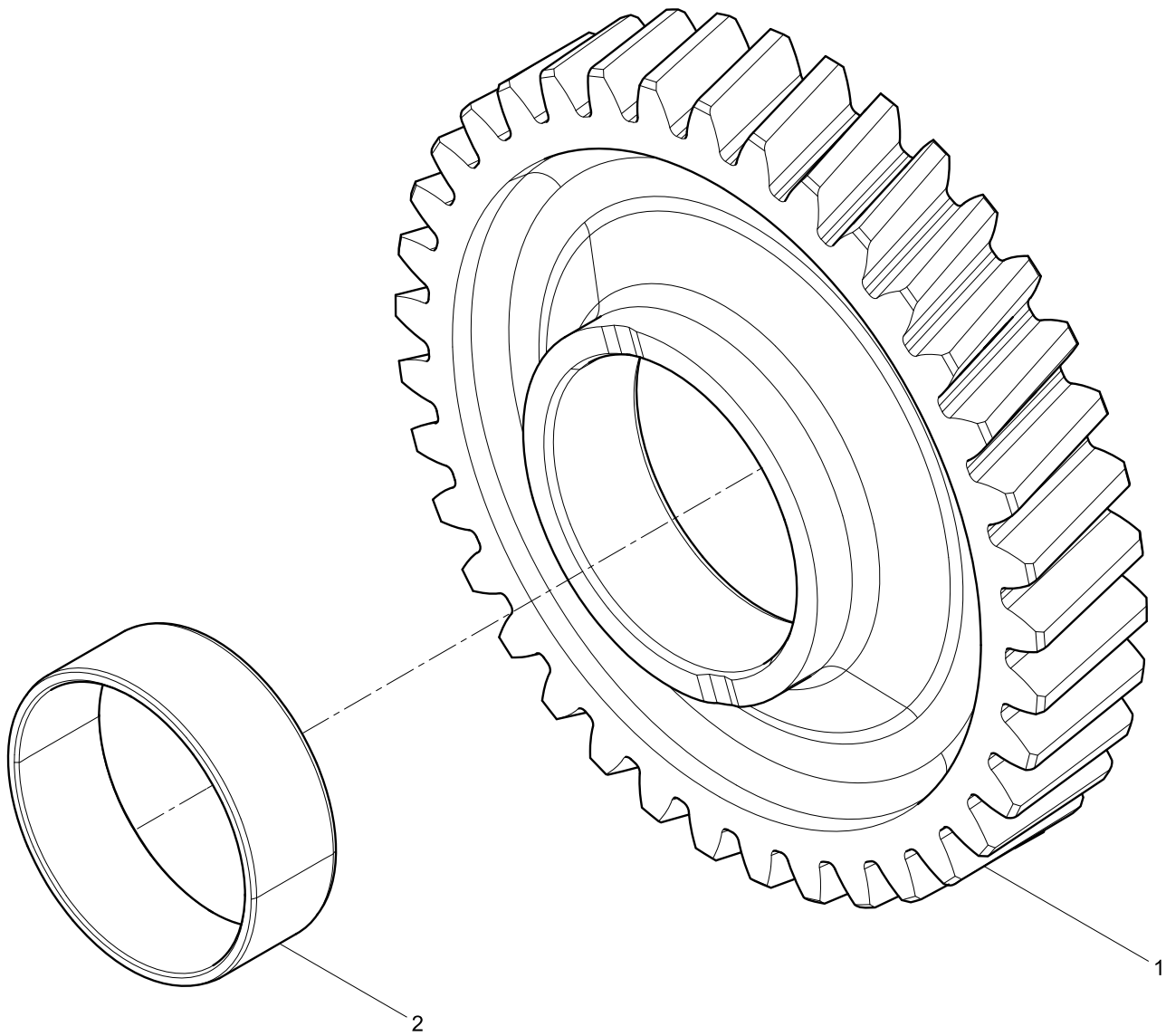
Gear Drive Group



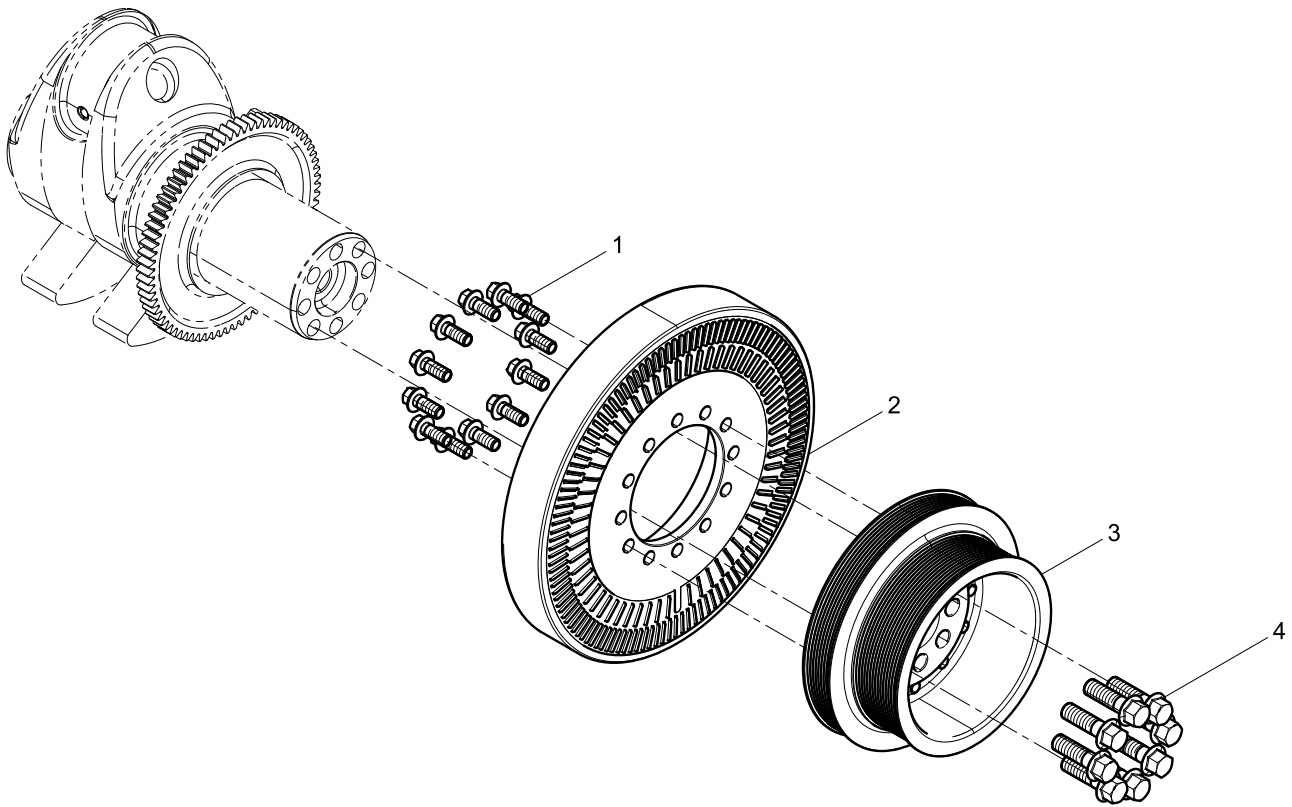
Idler Gear Set



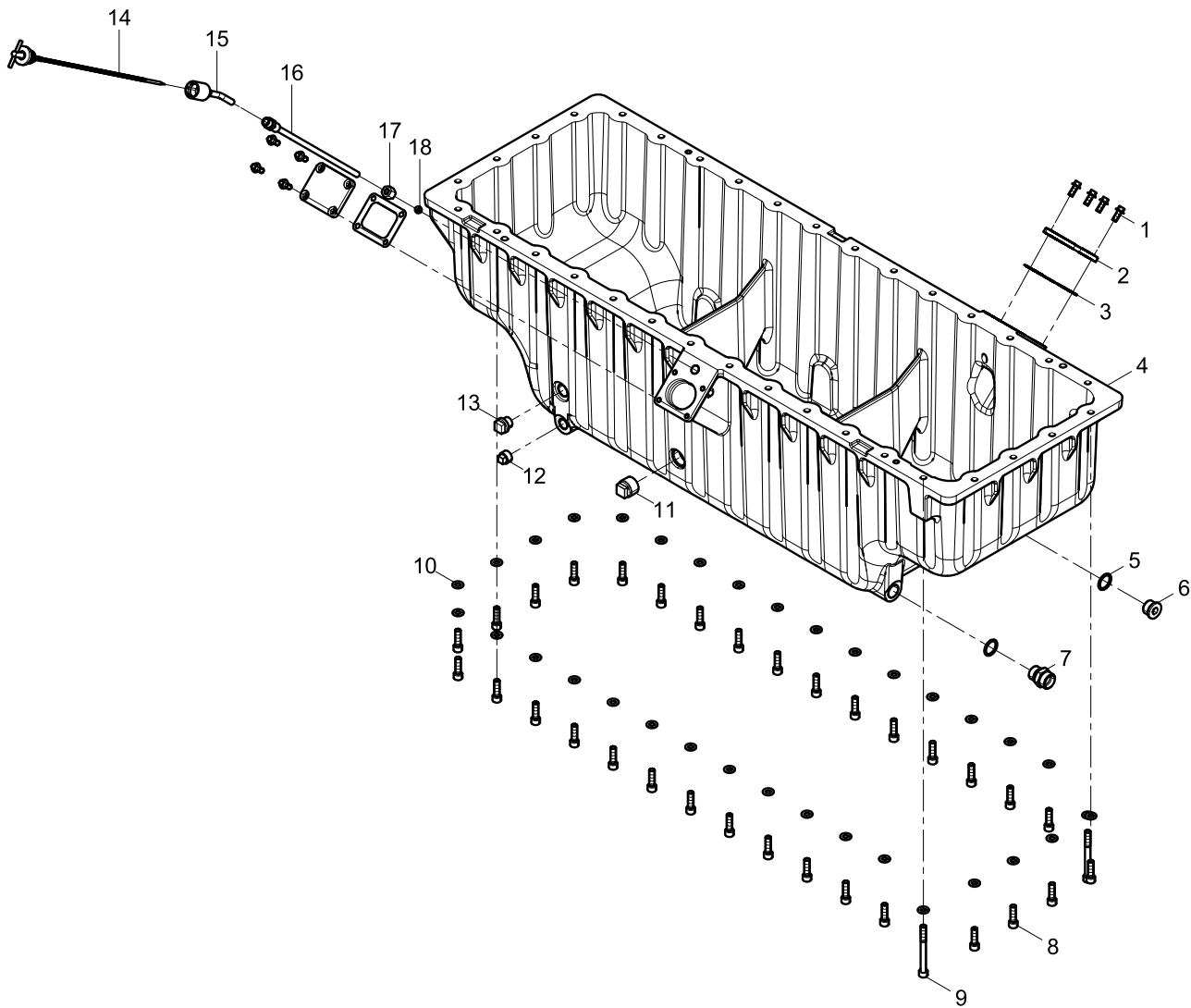
Idler Gear Set



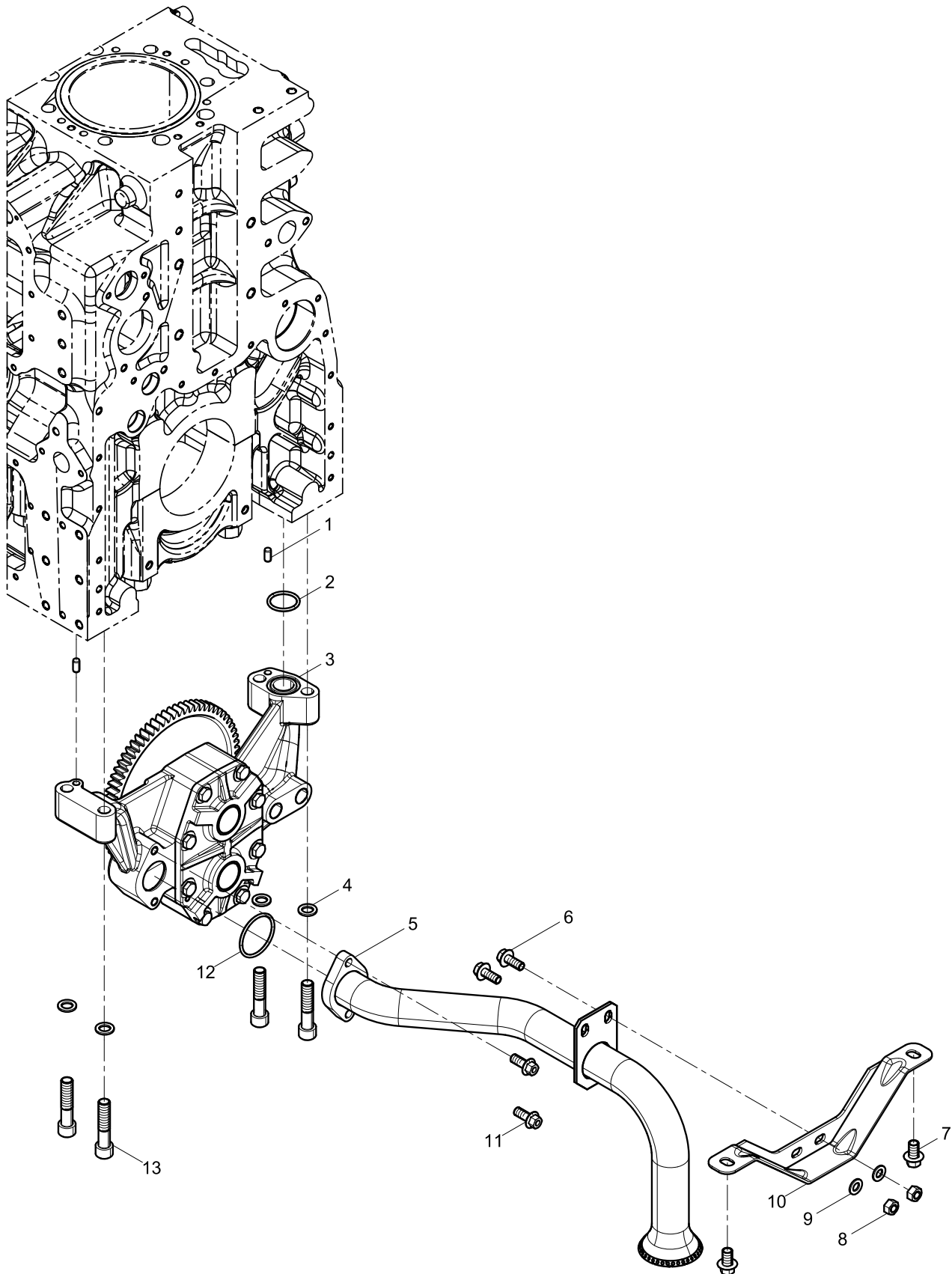
Crankshaft Pulley Group



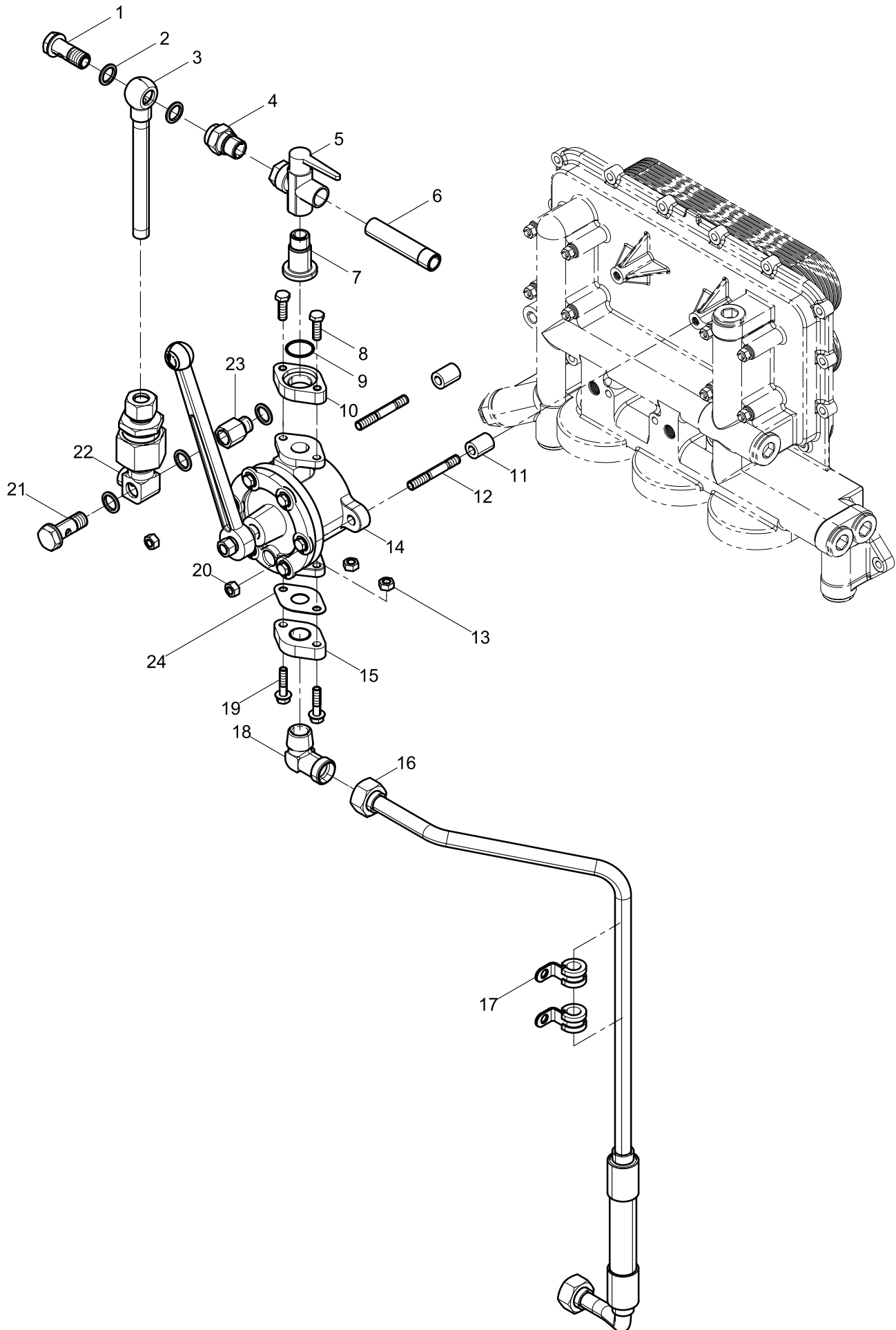
Oil Pan Group



Oil Pump Group



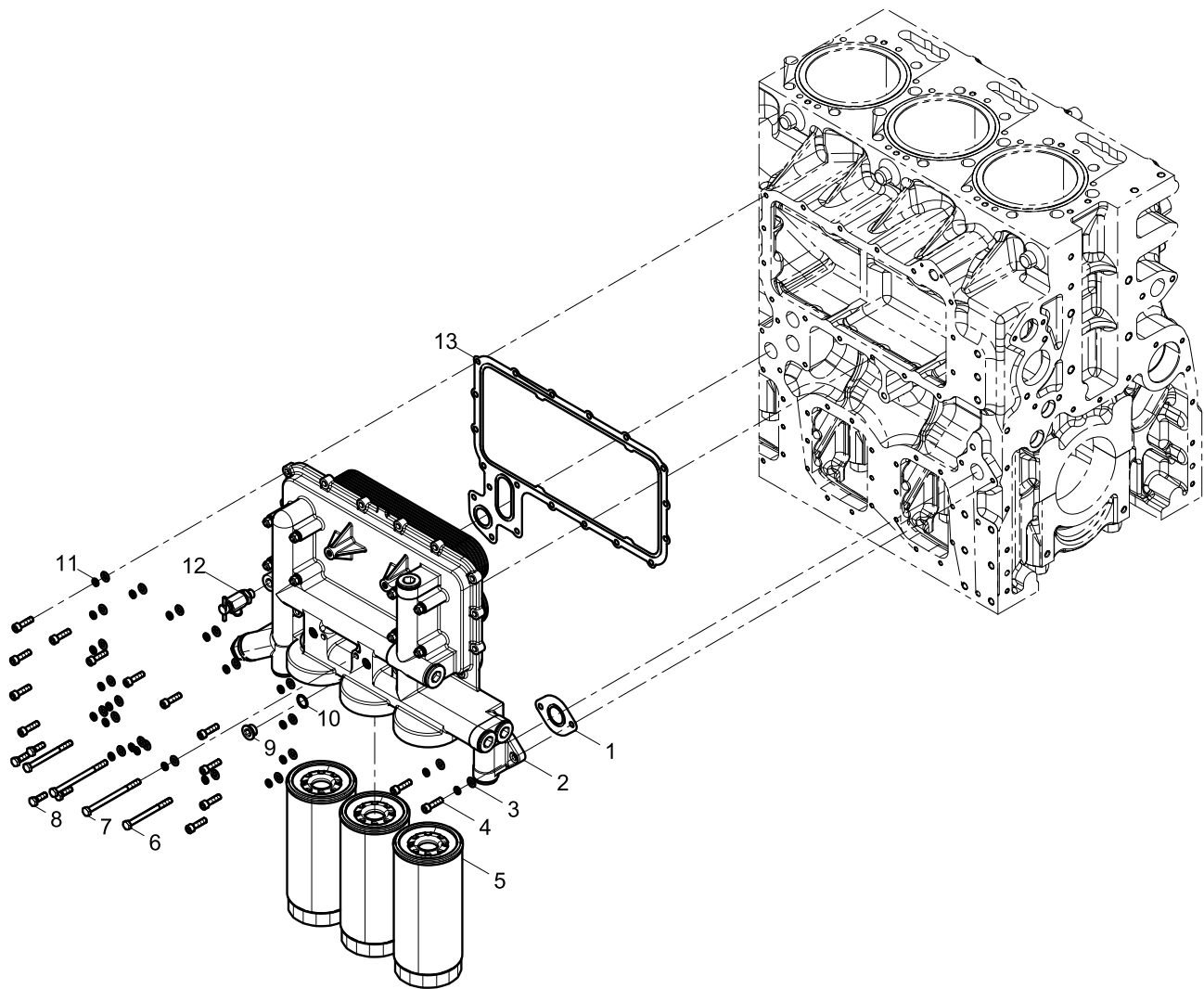
Hand Oil Pump Group



Hand Oil Pump Group

Pos.	Teile.Number	Amount	Designation
1	331004000300	1	Bolt
2	90014420001	5	Assembled Sealing Washer
3	331004000297	1	Pre-lubricationong Pump Oil Pipe
4	331004000296	1	Joint Body
5	77718910B	1	Valve Core
6	15040760C	1	Pre-lubricationong Pump Oil Pipe
7	1000120356	1	Pipe Joint
8	90003802444	2	Hexagon Head Bolt
9	9000000462	1	O-ring
10	1000126238	1	Flange
11	13636780M	2	Pad
12	9000000315	2	Double End Stud
13	90003871248	2	Hexagon Nut
14	77717510E	1	Hand oil pump assembly
15	15041750D	1	Flange
16	1000161476	1	Pre-lubricationong Pump Oil Pipe
17	1000181009	2	Pipe Clamp Assembly
18	77729650A	1	Joint Body
19	90011400039	2	Hexagon flange bolt, heavy series
20	90003871308	2	Hexagon Nuts, Style 1
21	1000940096	1	Bolt
22	331004000056	1	Non-return Valve
23	331004000236	1	Hexagon Screw Plug
24	11204940H	1	Gasket

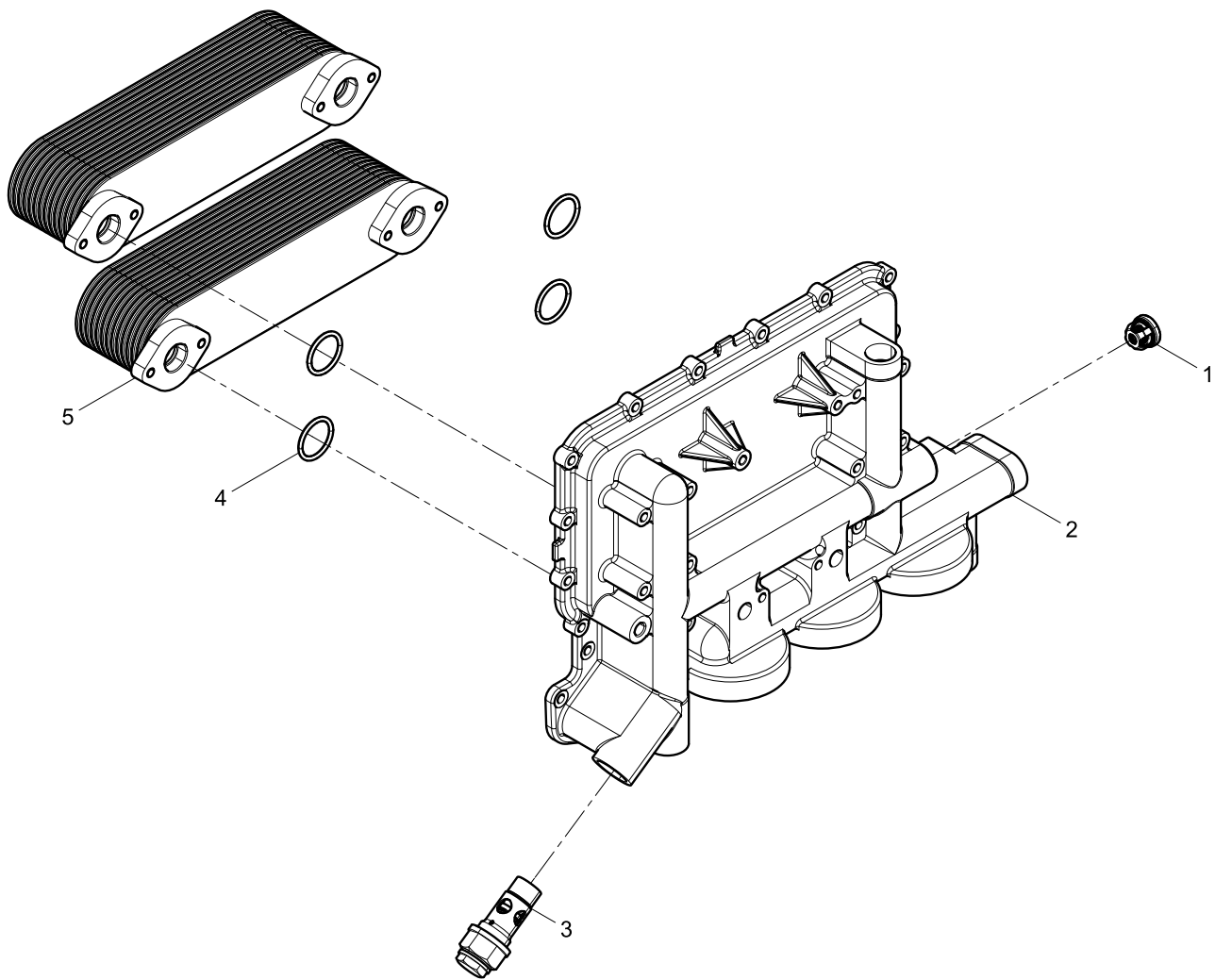
Oil Filter Group



Oil Filter Group

Pos.	Teile.Number	Amount	Designation
1	331004000194	1	Oil Cooler Cap Gasket
2	1001224838	1	Oil Cooler Assembly
3	90014040007	22	Plain Washer
4	90013050037	14	Inner Hexagon Socket Head Cap Screw
5	1000697504	3	Oil Filter
6	331004000160	2	Hexagon Head Bolt
7	331004000159	2	Hexagon Head Bolt
8	90003802424	4	Hexagon Head Bolt
9	14400078J	1	Hexagon Taper Screw Plug
10	90003098020	1	Washer
11	90003931102	22	Spring Washer
12	612600012598	1	Water Draining Valve
13	331004000192	1	Oil Cooler Cap Gasket

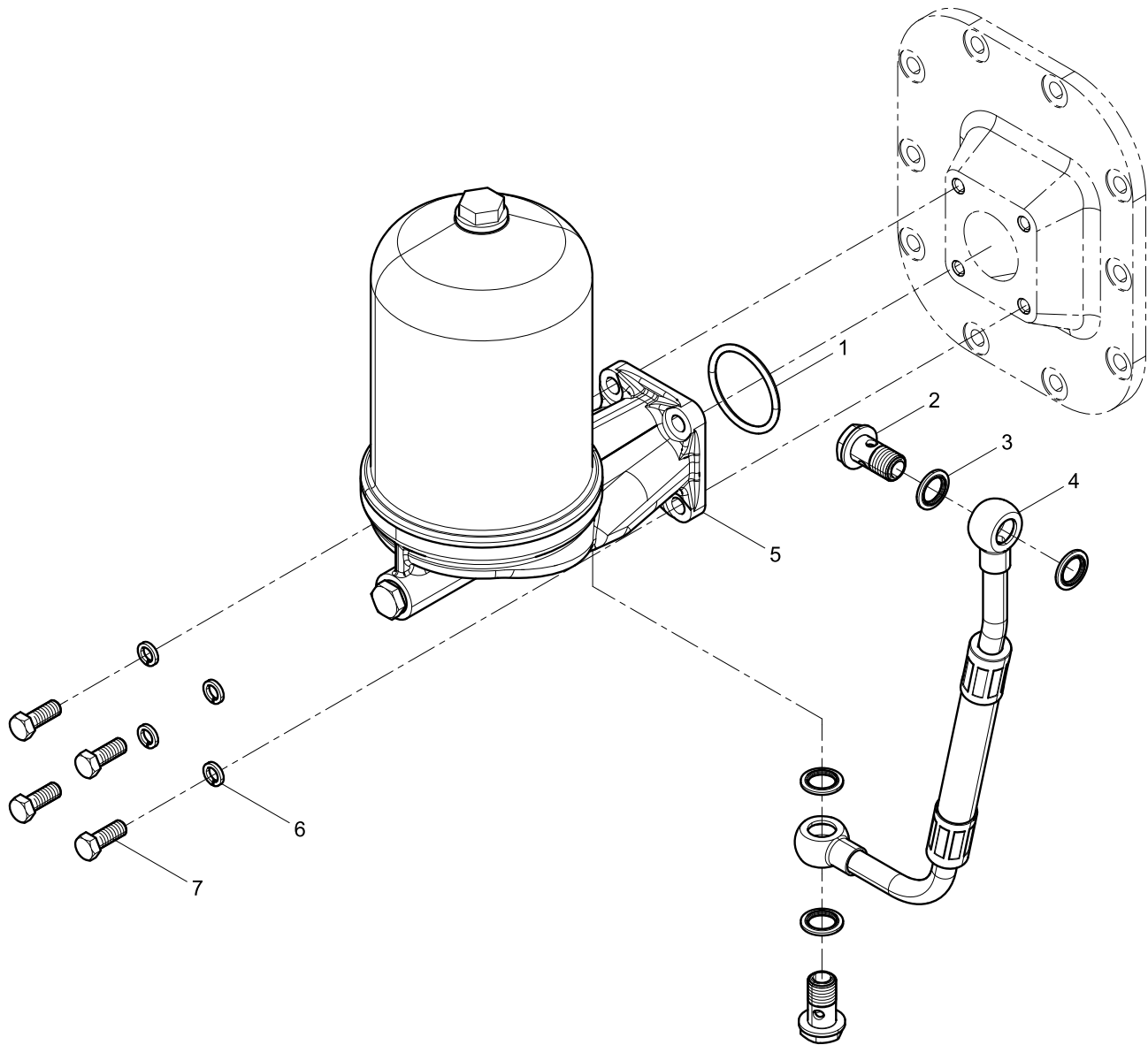
Oil Cooler Assembly



Oil Cooler Assembly

Pos.	Teile.Number	Amount	Designation
1	331004000398	1	Oil Pressure Relief Valve
2	331004000139	1	Oil Cooler Cap
3	1001224835	1	Pressure-limiting valve of the main oil passage
4	1000995688	4	O-ring
5	1000966175	2	Oil Cooler

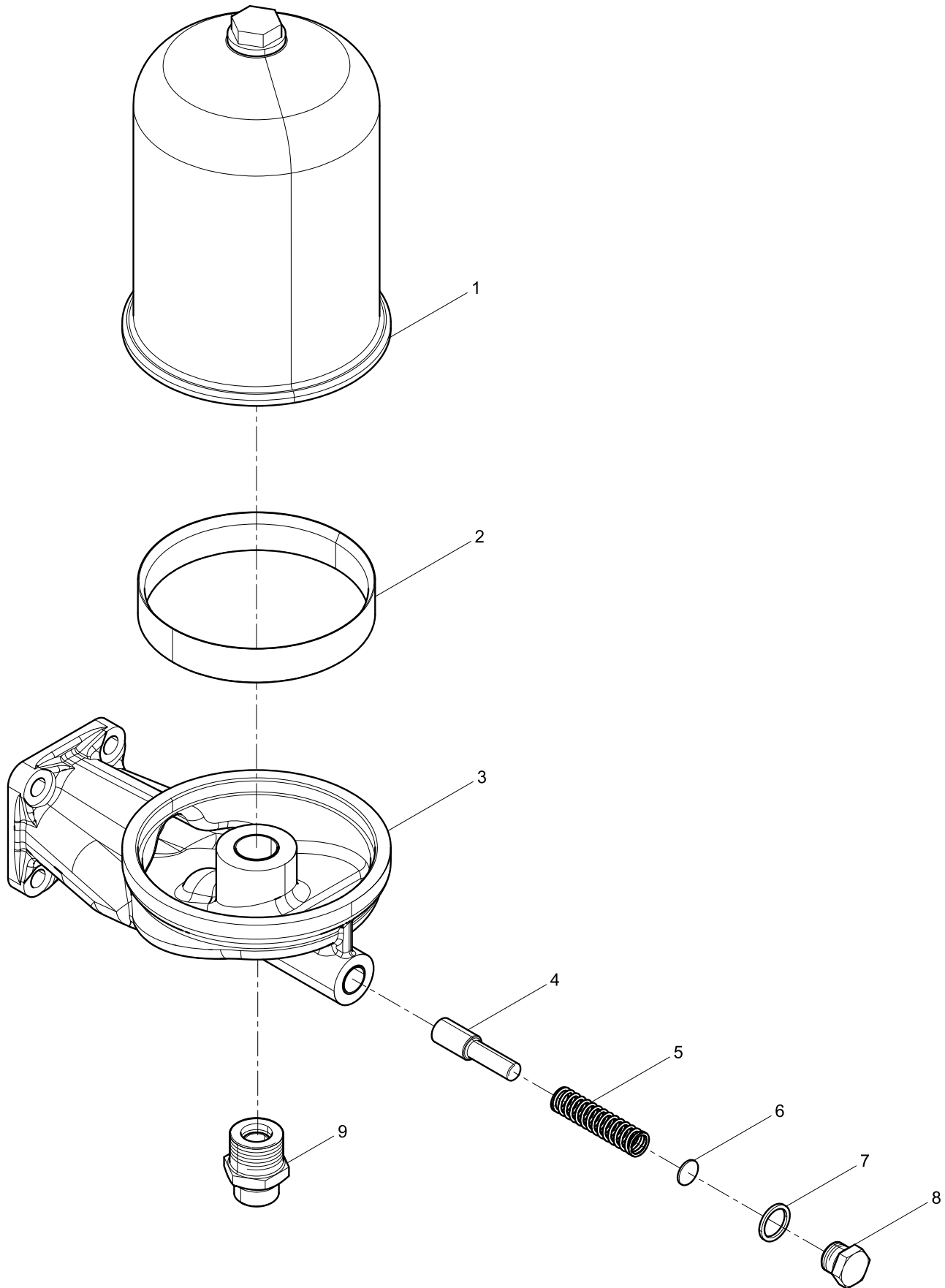
Rotating Centrifugal Lubricating Oil Filter group



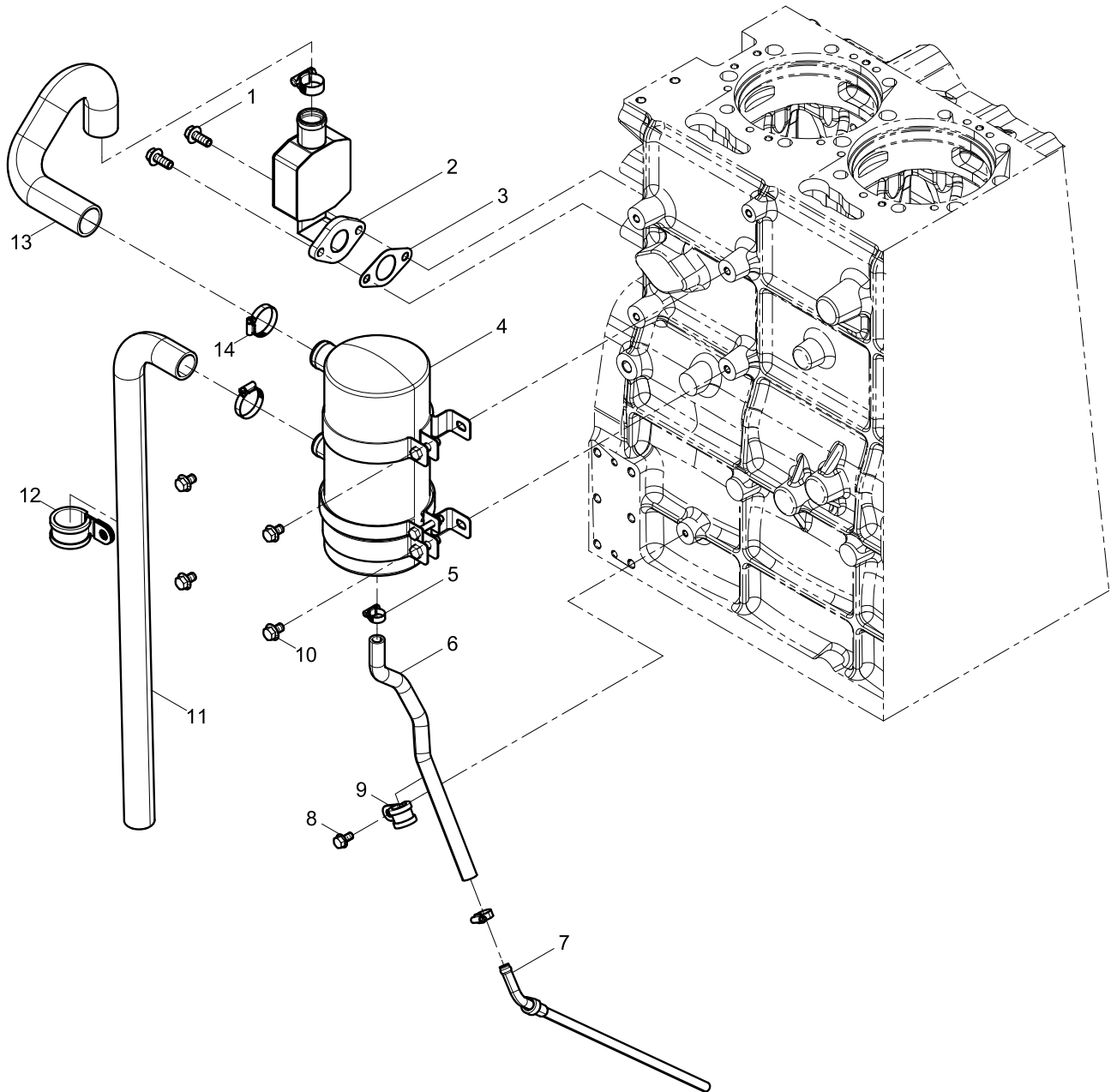
Rotating Centrifugal Lubricating Oil Filter group

Pos.	Teile.Number	Amount	Designation
1	9000000288	1	O-ring
2	612639000108	2	Bolt
3	612600080200	4	Washer
4	331004000322	1	Pre-lubricationg Pump Oil Pipe
5	X6276.790	1	Centrifuge filter assembly
6	90003931102	4	Spring Washer
7	90003802438	4	Hexagon Head Bolt

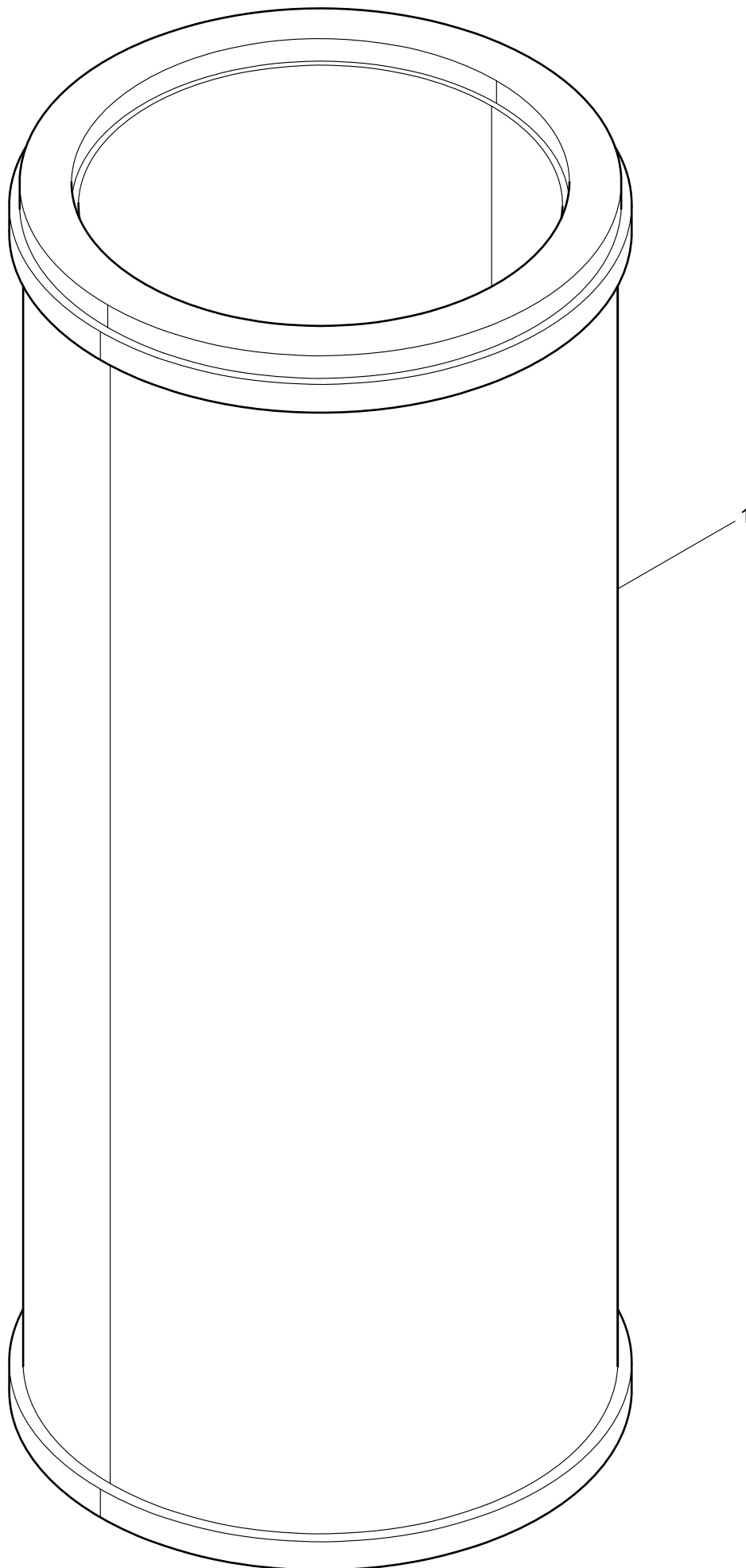
Centrifuge filter assembly



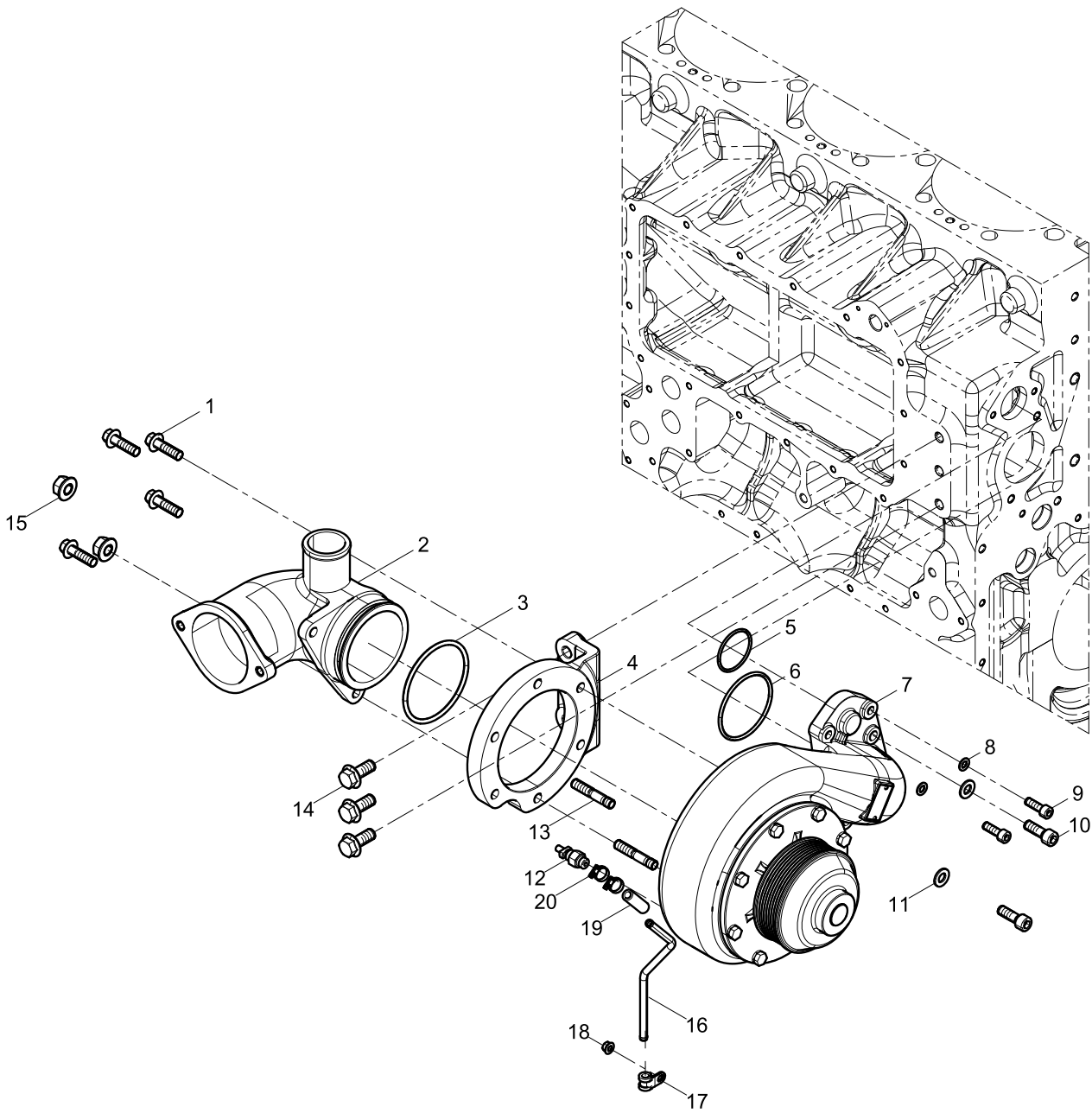
Oil-gas Separator Group



Oil-gas Separator



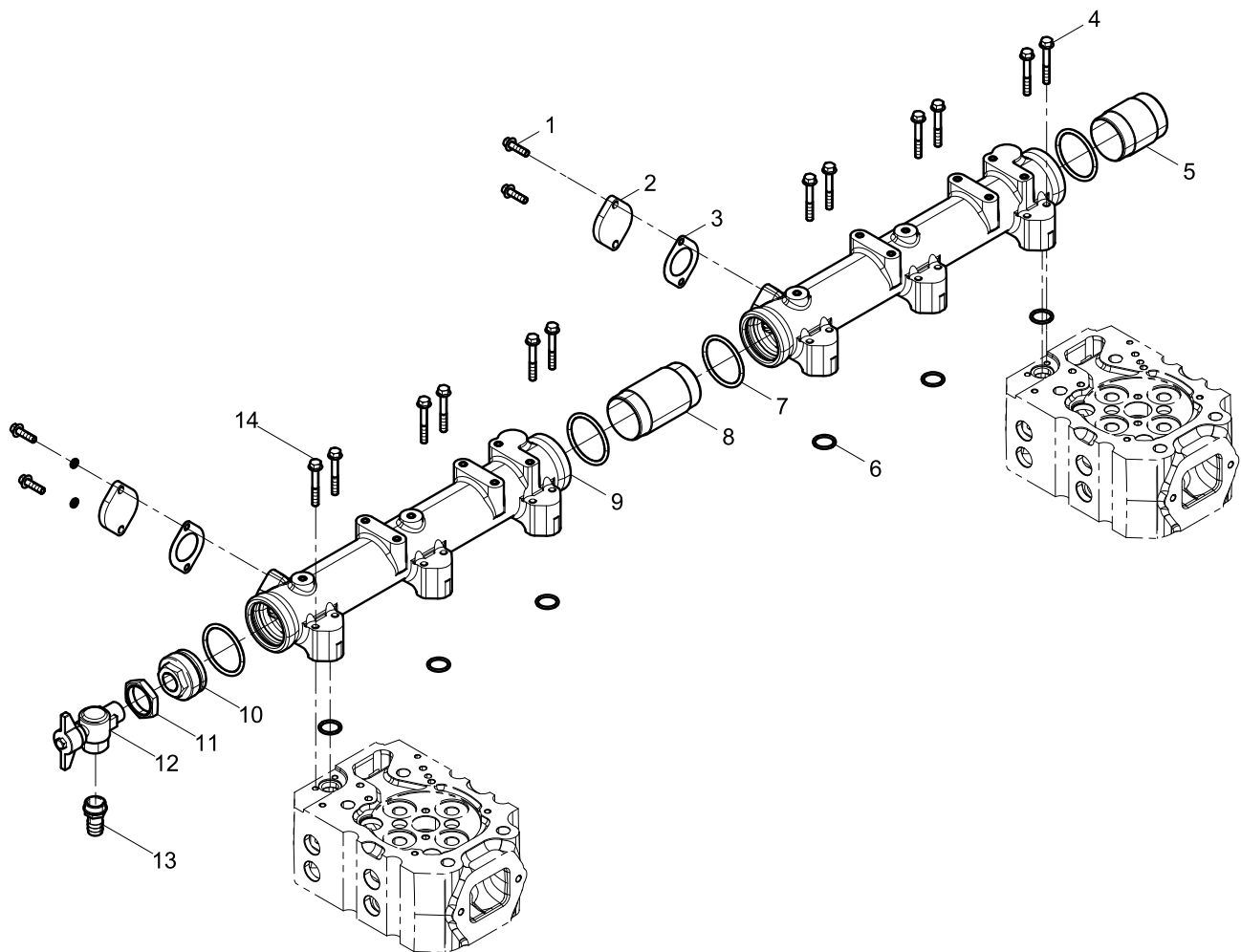
Water Pump Group



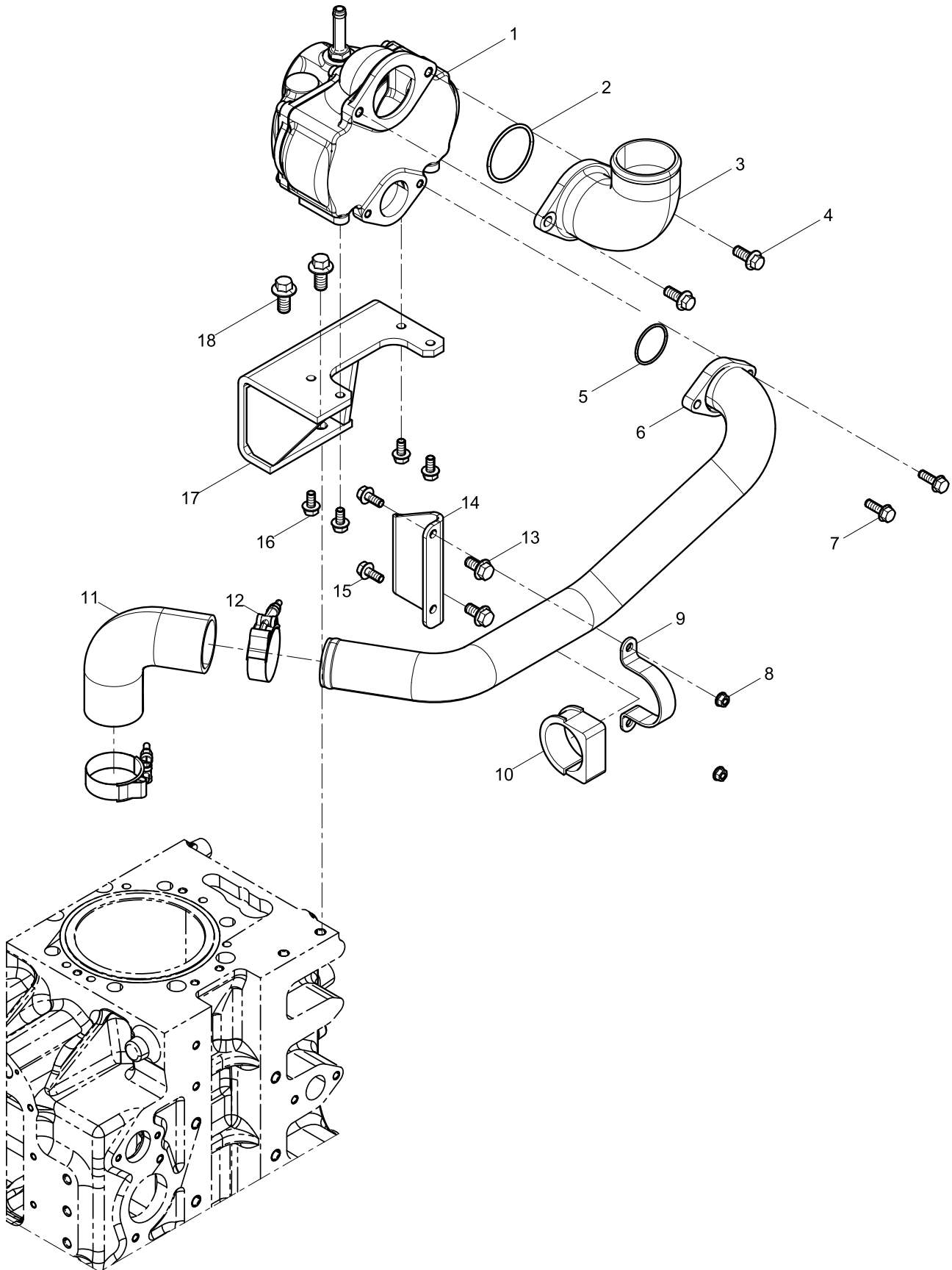
Water Pump Group

Pos.	Teile.Number	Amount	Designation
1	90011420002	4	Hexagon Flange Bolt
2	1000747044	1	Pipe Joint
3	90017550031	1	O-Ring
4	1001219194	1	Water Pump Bracket
5	90017510064	1	O-ring
6	90017510065	1	O-ring
7	1001219118	1	Water Pump
8	90014040007	2	Plain Washer
9	90013050036	2	Inner Hexagon Socket Head Cap Screw
10	90013050042	2	Inner Hexagon Socket Head Cap Screw
11	90014040008	2	Plain Washer
12	612600012598	1	Water Draining Valve
13	90003813544	2	Double End Stud
14	90011400048	3	Hexagon flange bolt, heavy series
15	90012290002	3	Hexagon Flange Nut
16	1000978359	1	Water Pipe
17	1000083546	1	Pipe Clamp Assembly
19	610800130013	1	Coolant Connecting Rubber Pipe
20	13039655	2	Clamp

Water Outlet Pipe Group



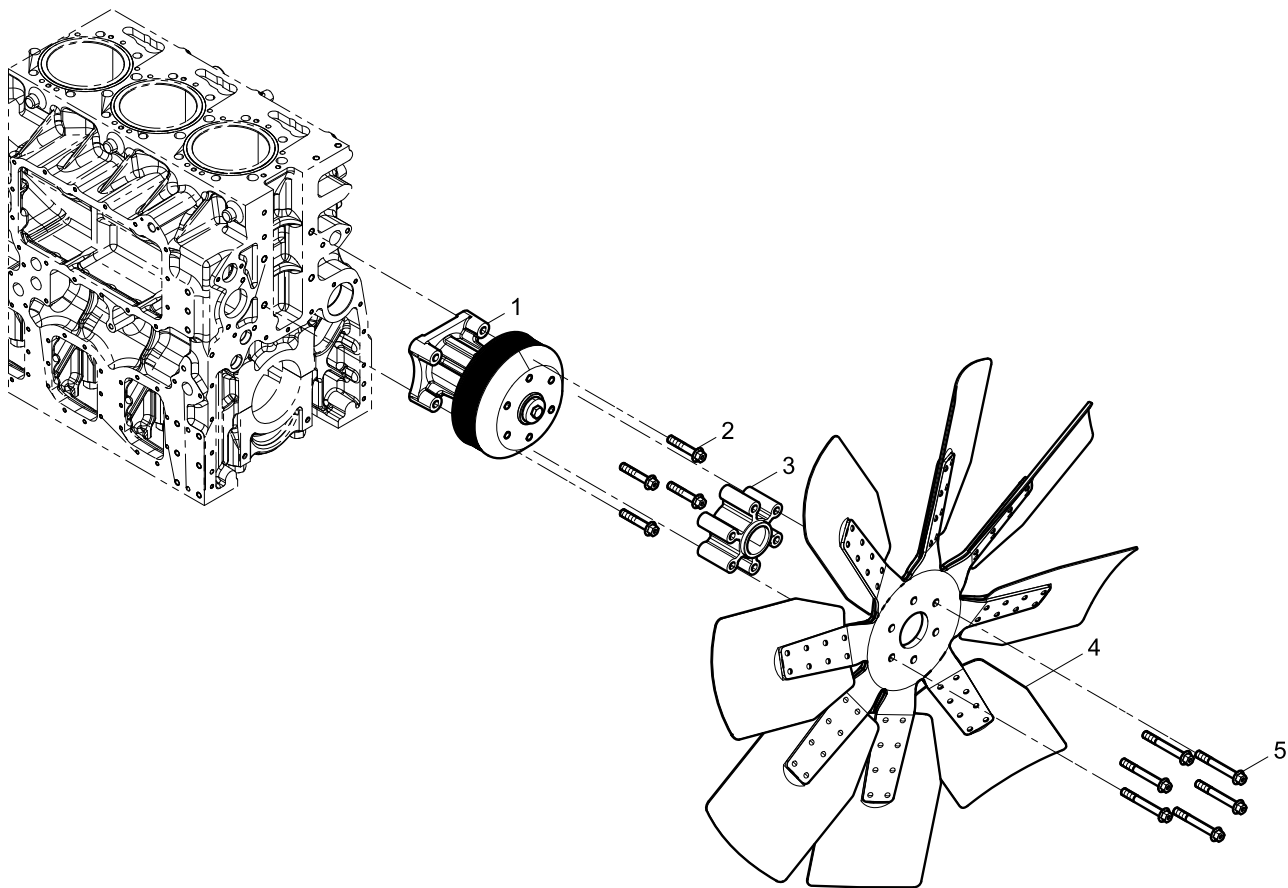
Thermostat Group



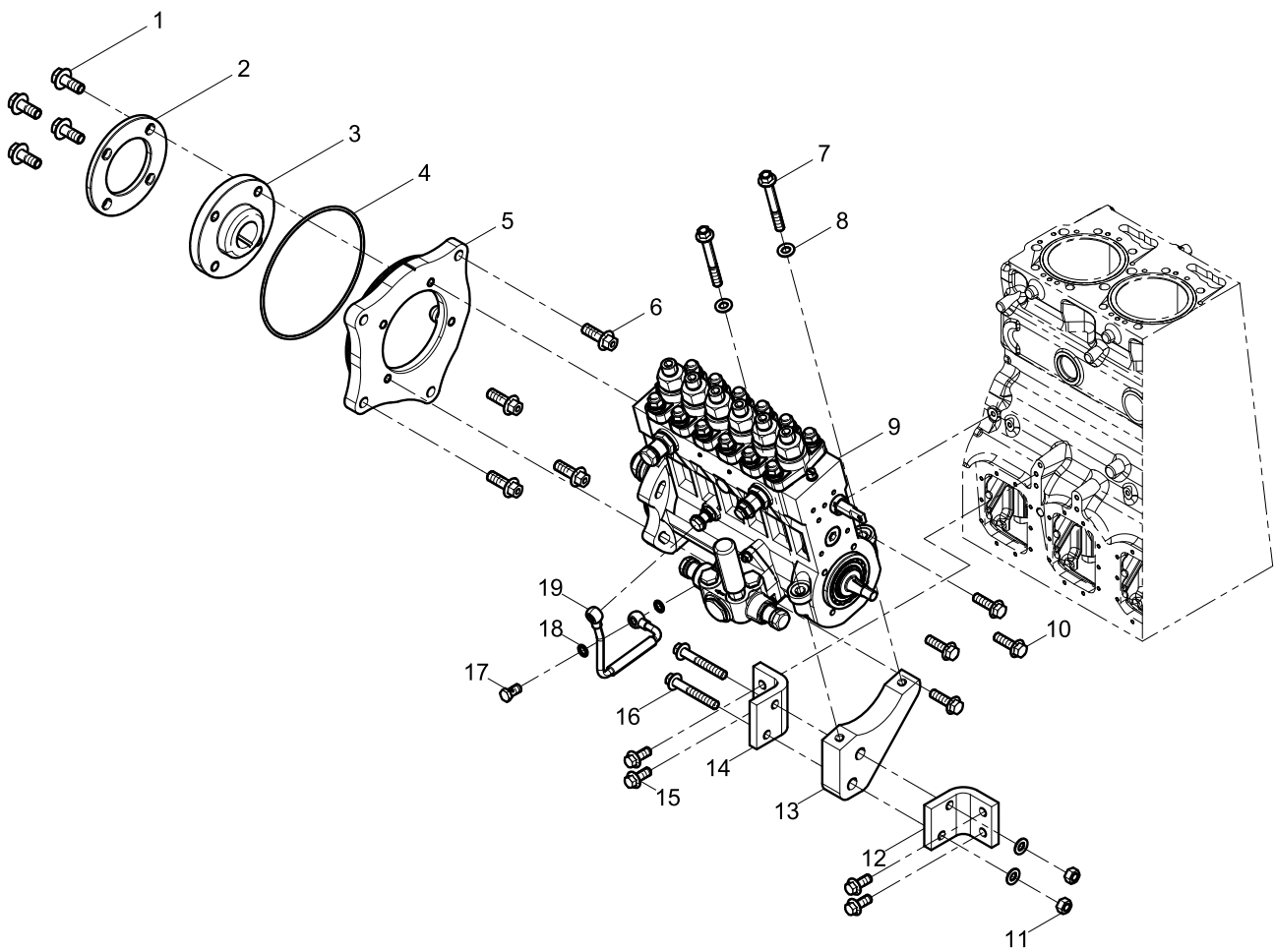
Thermostat Group

Pos.	Teile.Number	Amount	Designation
1	1000695391	1	Thermostat Assembly
2	9000000467	1	O-ring
3	X6231.225W	1	Water-outlet Pipe
4	9000000734	2	Hexagon Flange Bolt
5	9000000466	1	O-ring
6	331003000530	1	Water Pump Water Pipe
7	90011400020	2	Hexagon Flange Bolt
8	90012290001	2	Hexagon Flange Nut
9	330203000010	1	Clamp
10	1000978193	1	Rubber Sleeve
11	331003000160	1	Coolant Connecting Rubber Pipe
12	612600062206	1	Clamp
13	90011400027	2	Hexagon Flange Bolt
14	331003000532	1	Water Pipe Bracket
15	90011400002	2	Hexagon Flange Bolt
16	90011400019	4	Hexagon Flange Bolt
17	331003000533	1	Thermostat Bracket
18	90011430041	2	Hexagon Flange with Tooth Bolt
19	612600062210	1	Clamp
20	1000645396	1	Coolant Connecting Rubber Pipe
21	612600062209	1	Clamp

Fan Bracket Group



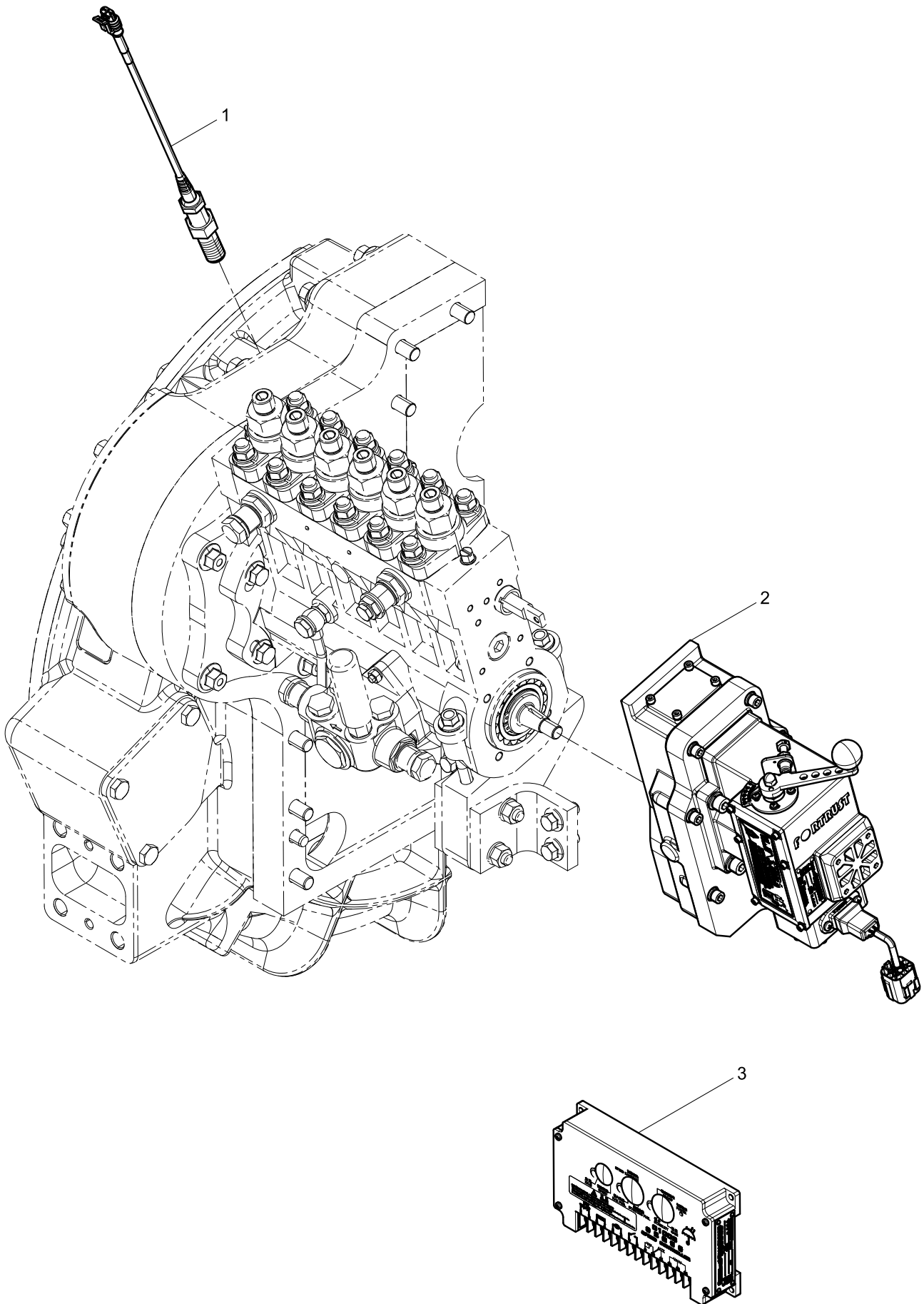
Fuel Injection Pump Group



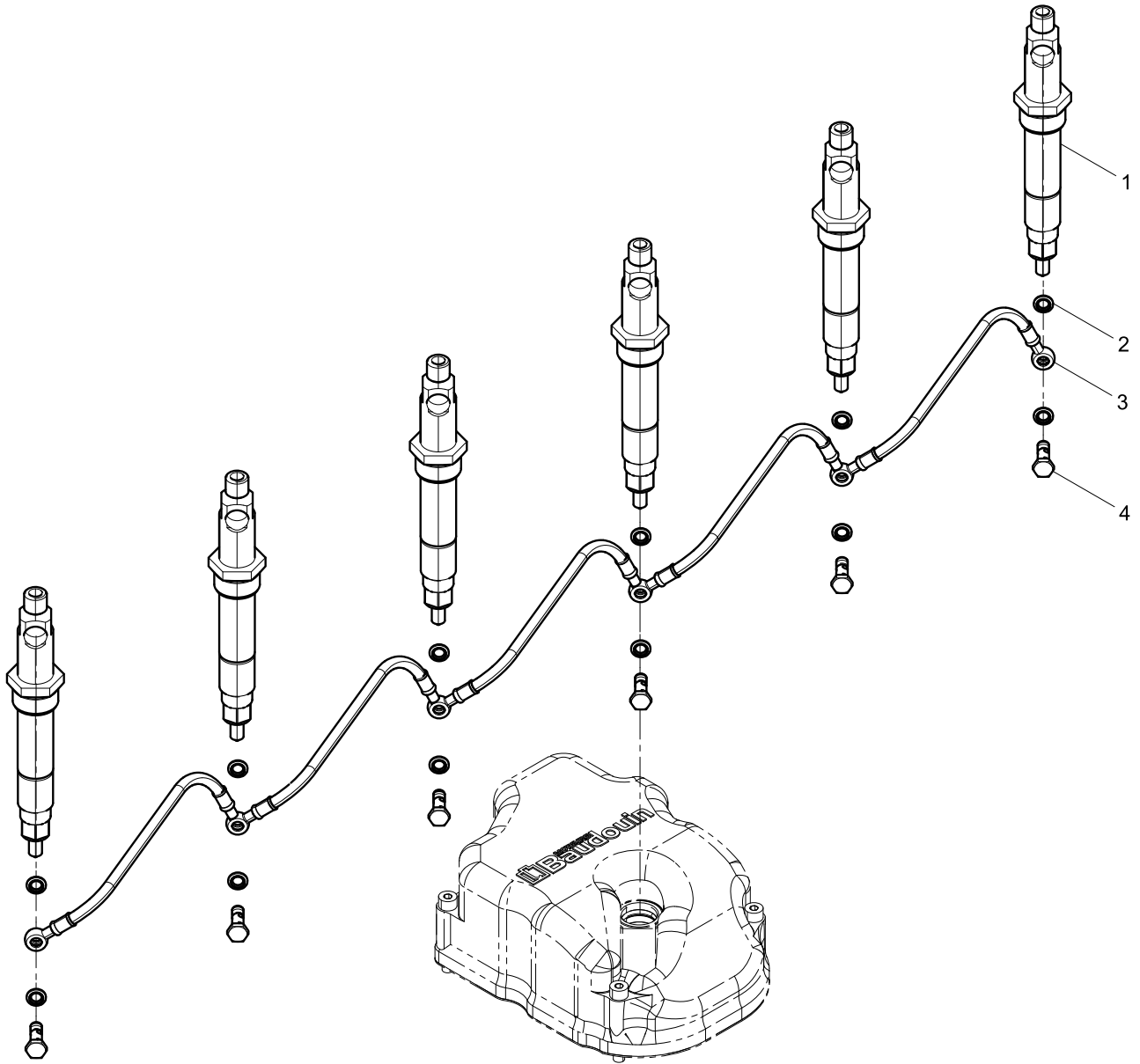
Fuel Injection Pump Group

Pos.	Teile.Number	Amount	Designation
1	90011400048	4	Hexagon flange bolt, heavy series
2	331005000228	1	Washer
3	1000593353	1	Fuel Injection Pump Hub
4	331005000063	1	O-ring
5	331005000252	1	Fuel Injection Pump Flange
6	90011420005	4	Hexagon Flange Bolt
7	612600061711	2	Hexagon Flange with Tooth Bolt
8	90014040008	2	Plain Washer
9	1000722757	1	Fuel Injection Pump Assembly
10	90011400006	4	Hexagon Flange Bolt
11	90012290007	2	Hexagon Flange Nut
12	331005000061	1	Fuel Injection Pump Bracket
13	331005000060	1	Fuel Injection Pump Bracket
14	331005000062	1	Fuel Injection Pump Bracket
15	90011430008	4	Hexagon Flange with Tooth Bolt
16	90011430013	2	Hexagon Flange with Tooth Bolt
17	612639000047	1	Bolt
18	612600080246	2	Washer
19	331005000140	1	Fuel Injection Pump Oil Pipe

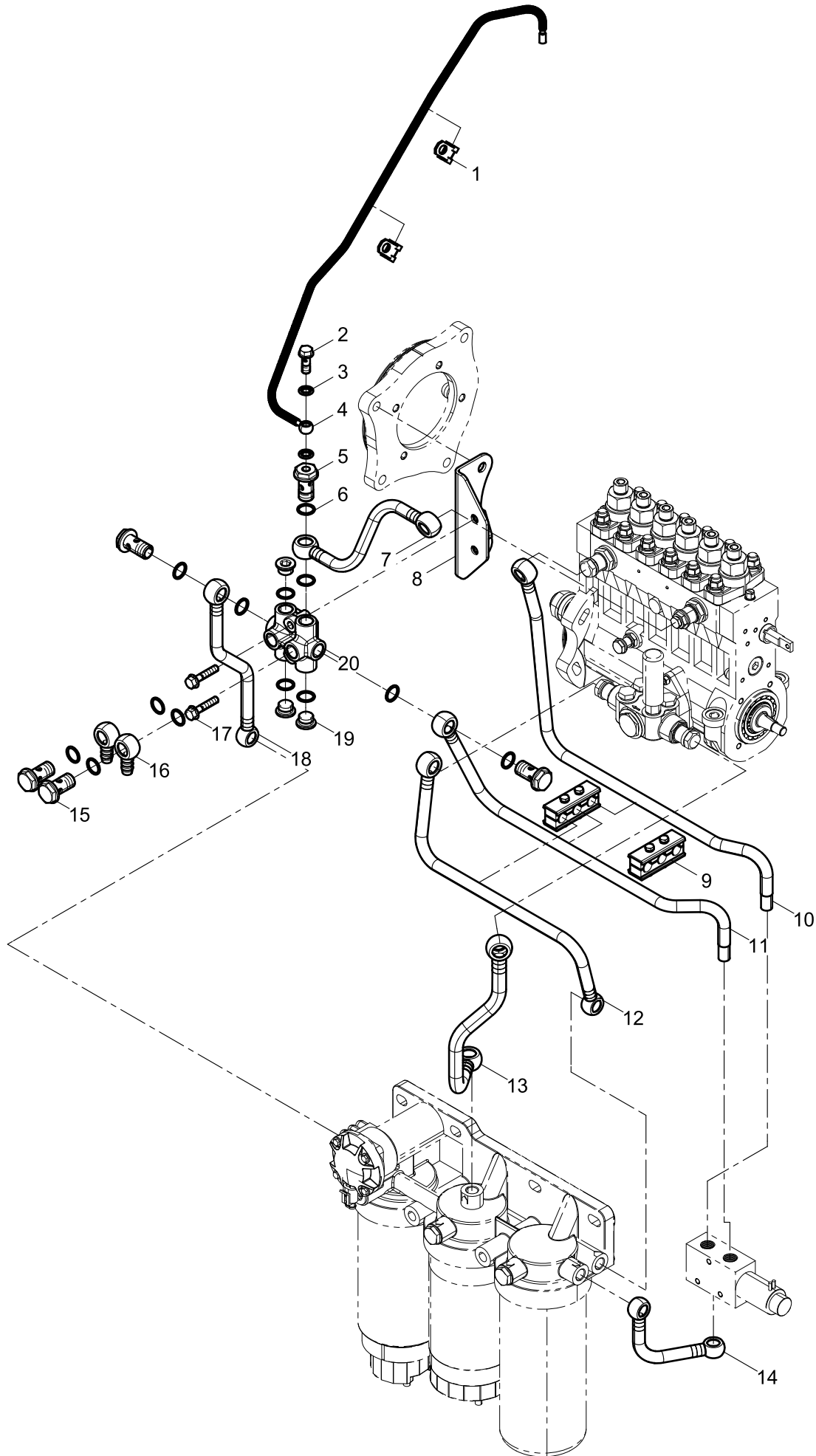
Electronic Governor Group



Fuel Injector Group



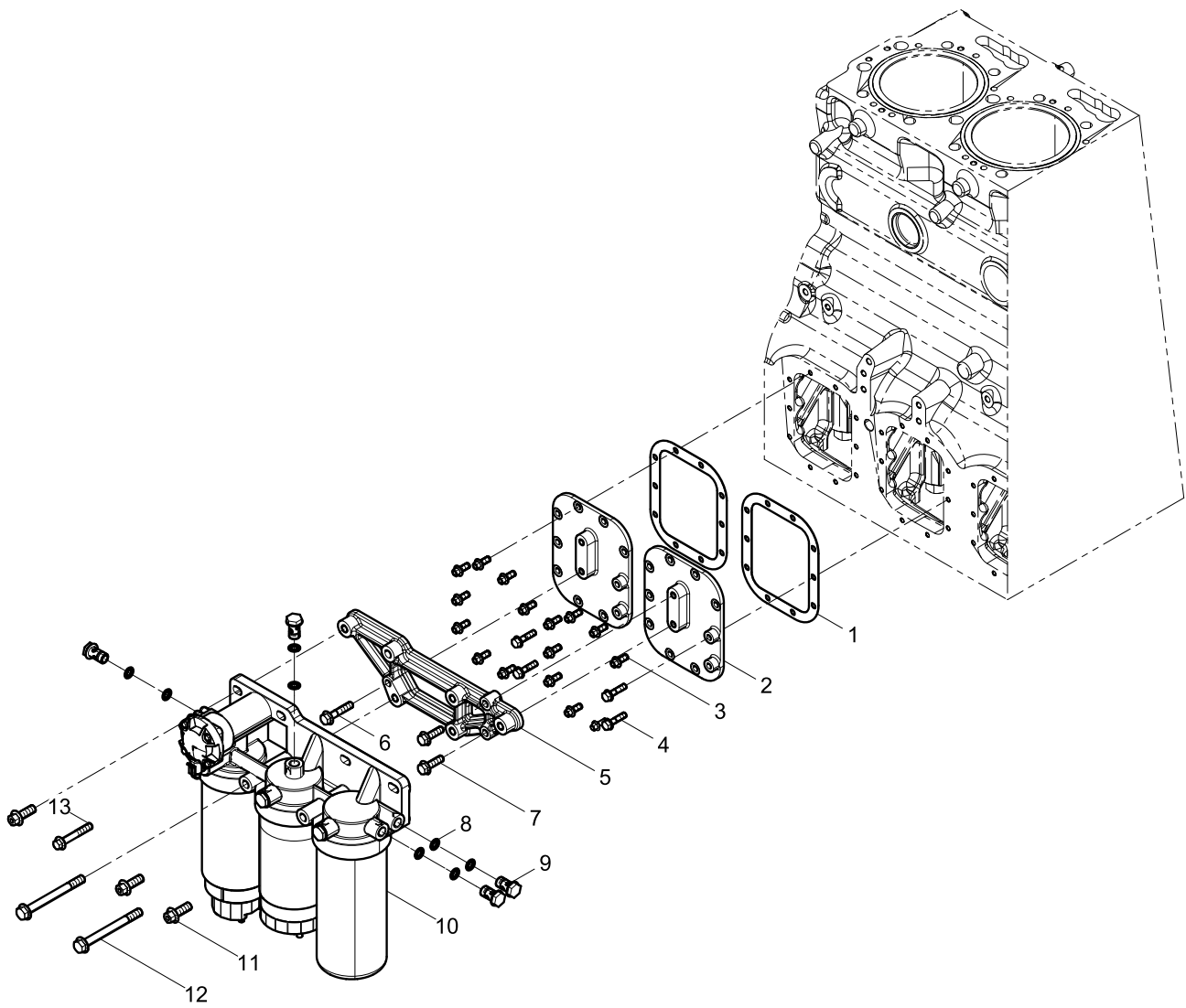
Low Pressure Fuel Pipe Group



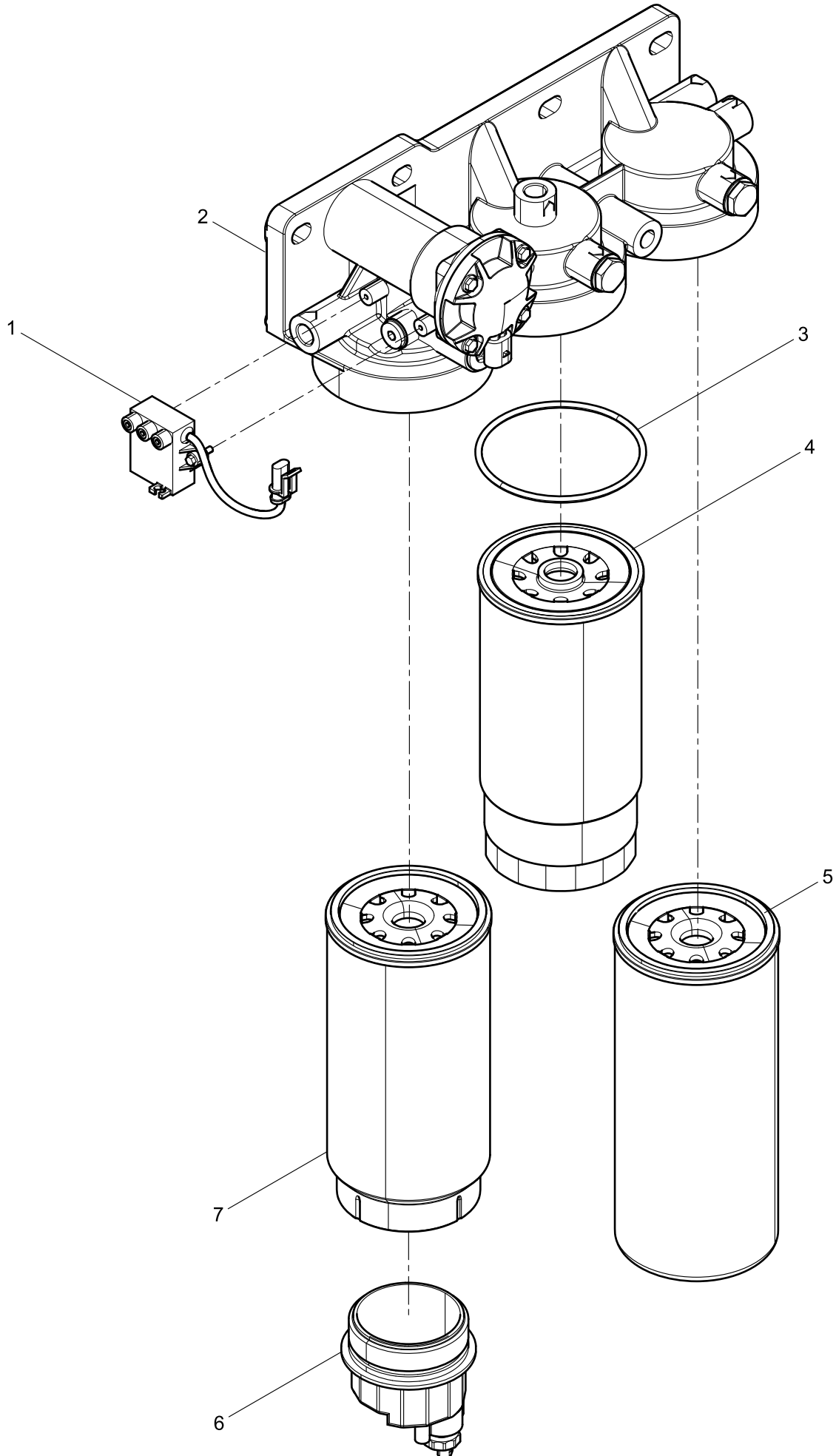
Low Pressure Fuel Pipe Group

Pos.	Teile.Number	Amount	Designation
1	330205000383	2	Pipe Clamp Assembly
2	612639000047	1	Bolt
3	13057039	2	Assembled Sealing Washer
4	331005000781	1	Fuel Return Pipe
5	331005000952	1	Bolt
6	13023362	13	Assembled Sealing Washer
7	331005000797	1	Fuel-inlet Pipe Assembly
8	331005000808	1	Bracket
9	612600082920	2	Pipe Clamp Assembly
10	331005000793	1	Fuel-inlet Pipe Assembly
11	331005000788	1	Fuel-inlet Pipe Assembly
12	331005000790	1	Fuel-inlet Pipe Assembly
13	1000336069	1	Fuel-inlet Pipe Assembly
14	331005000799	1	Fuel-inlet Pipe
15	01119250	4	Hollow screw
16	612600082773	2	Pipe Joint
17	90011400009	2	Hexagon flange bolt, heavy series
18	331005000779	1	Fuel-inlet Pipe Assembly
19	14400078J	3	Hexagon Taper Screw Plug
20	331005000809	1	Transition joint

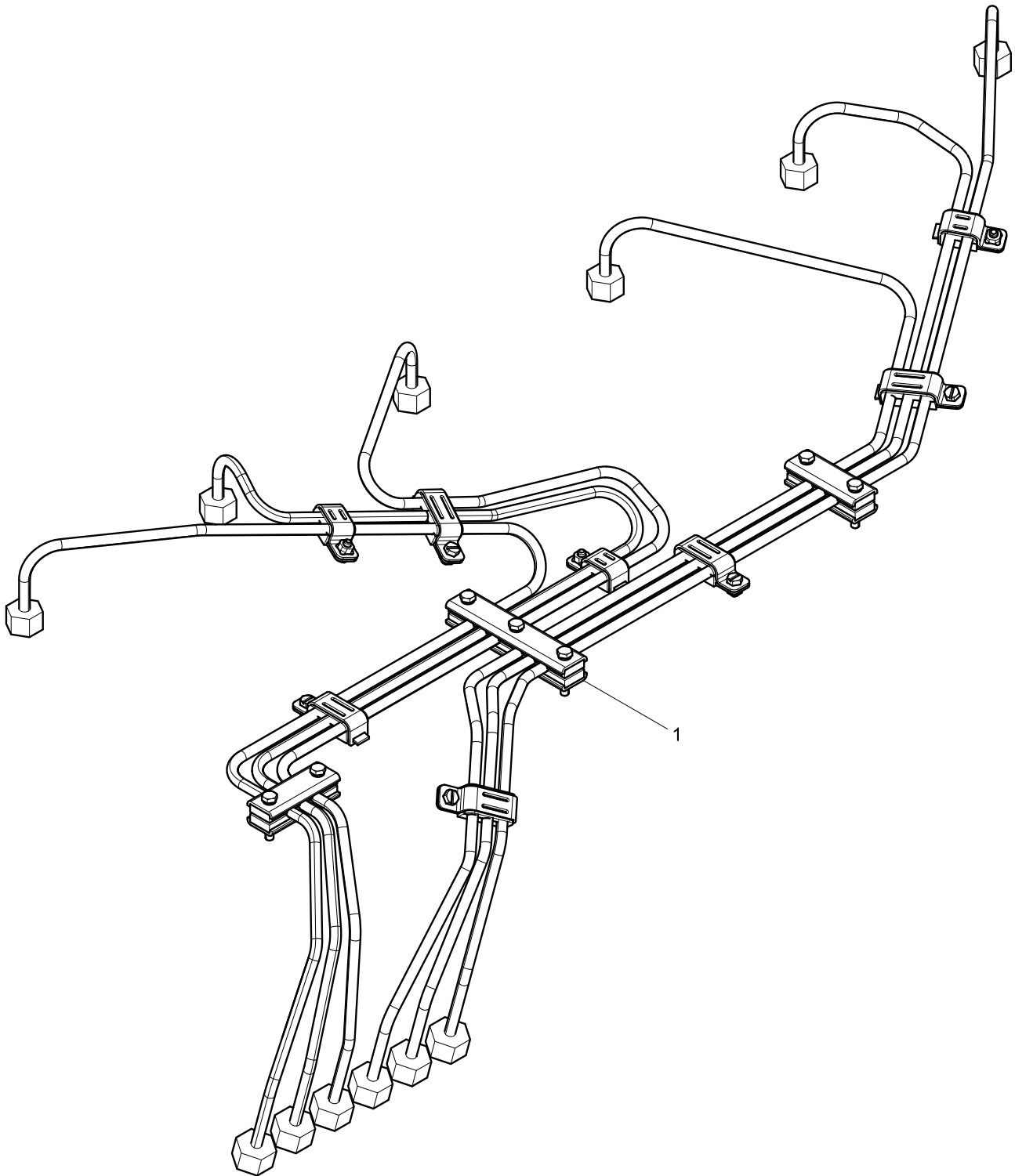
Fuel Filter Group



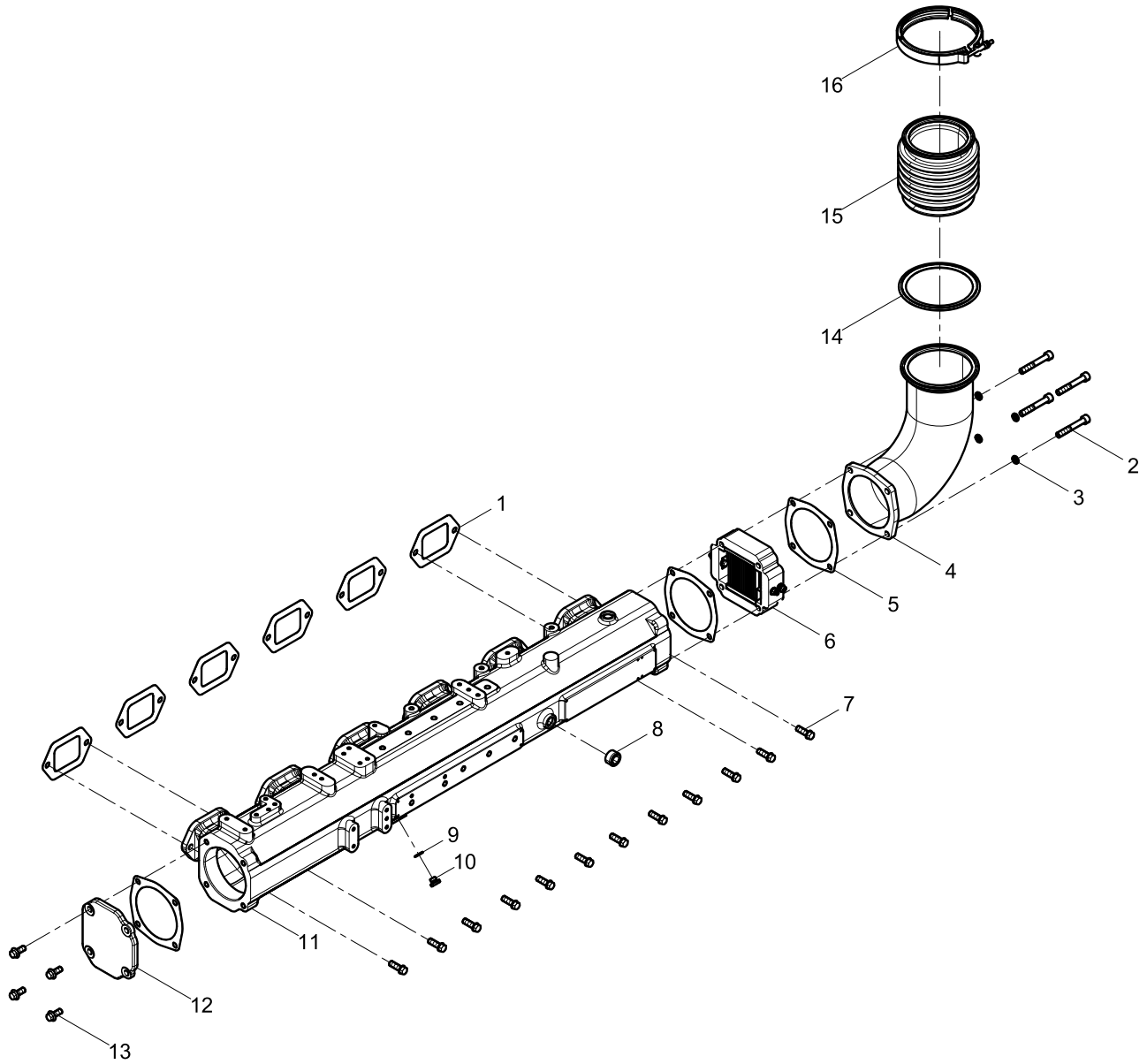
Fuel System Protector



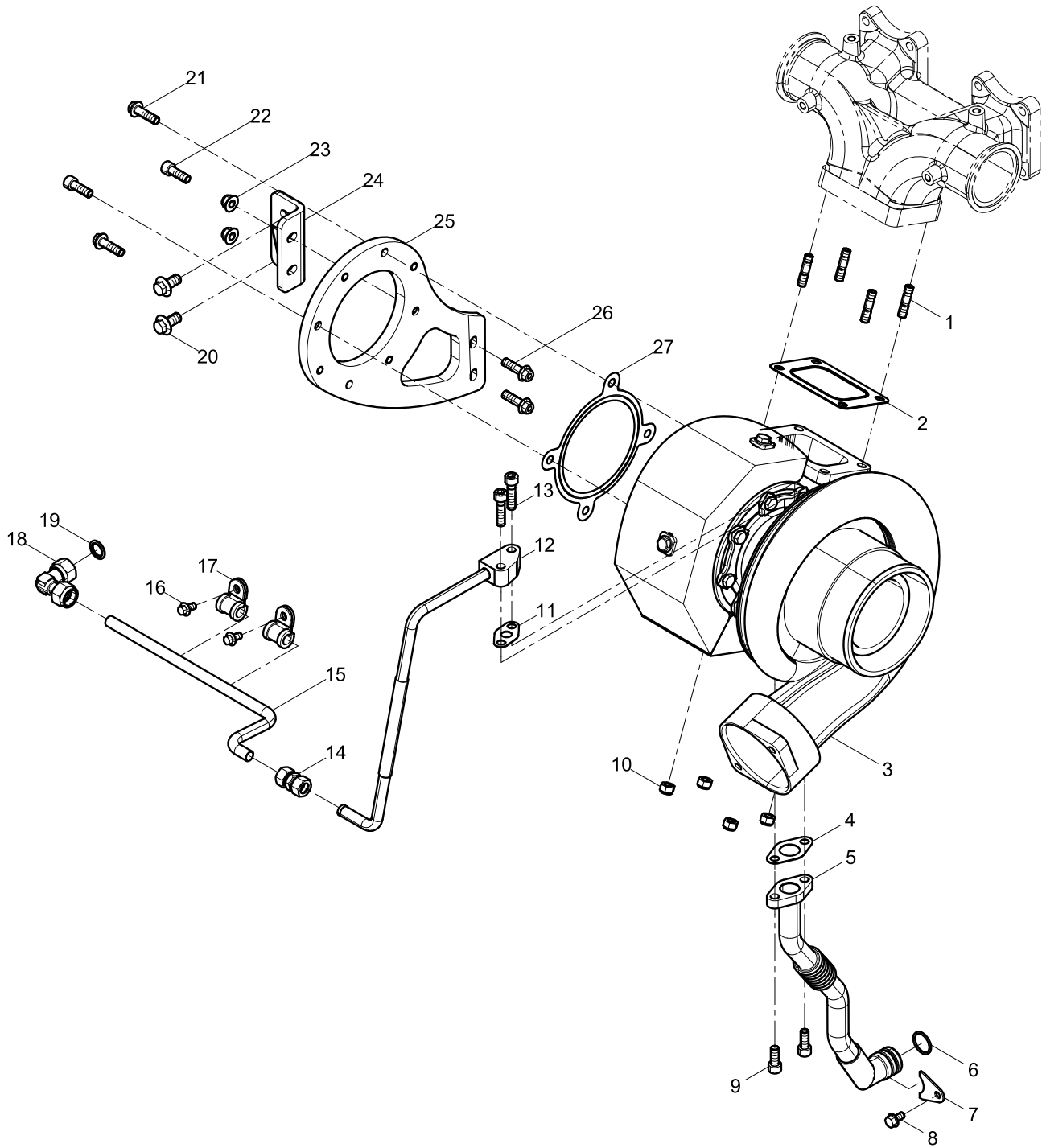
High Pressure Fuel Pipe Group



Intake Manifold Group



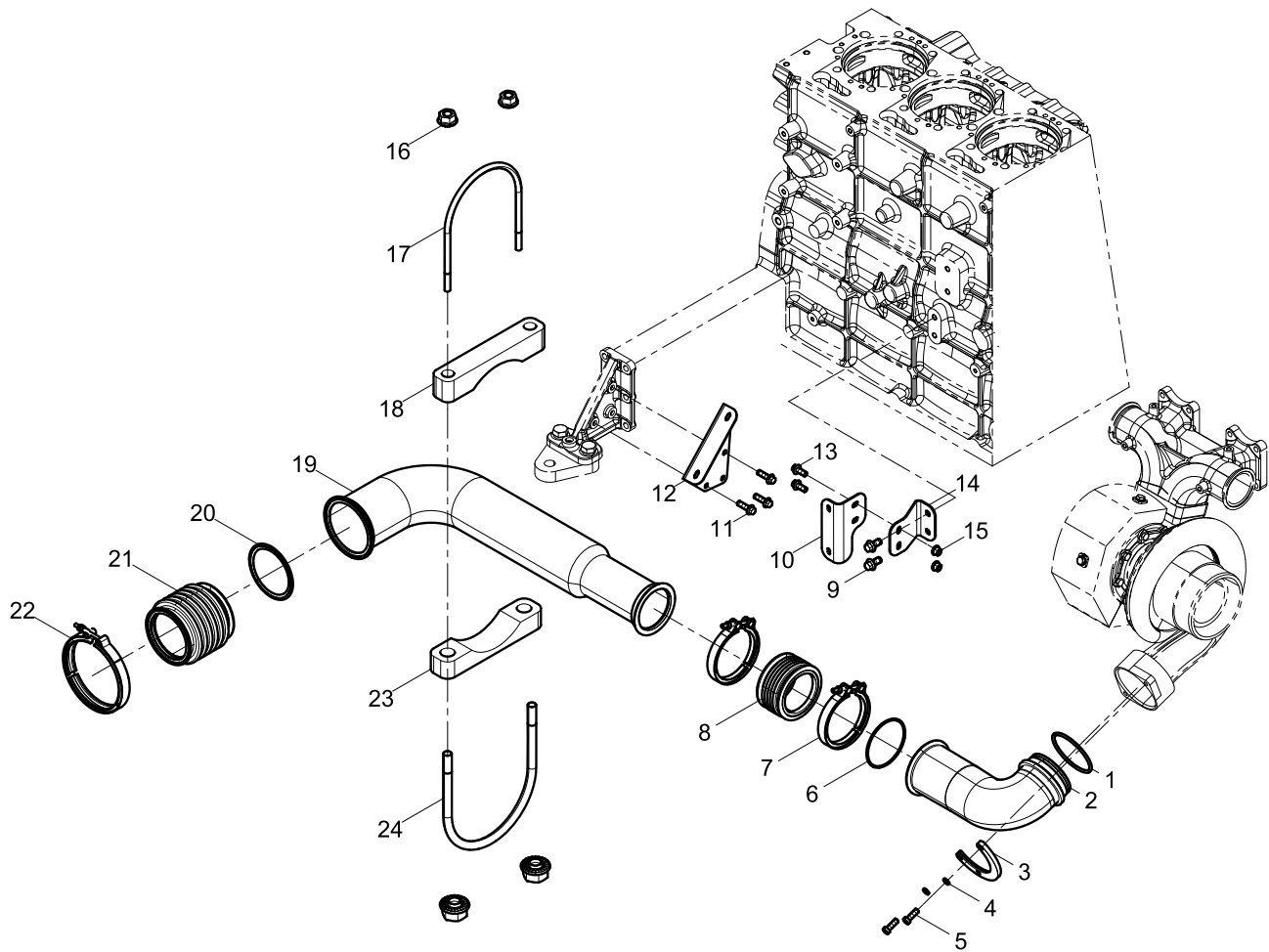
Turbocharger Group



Turbocharger Group

Pos.	Teile.Number	Amount	Designation
1	612600114385	4	Double End Stud
2	330210000069	1	Gasket
3	1000677771	1	Turbocharger
4	X6231.660W	1	Turbocharger Oil Pipe Gasket
5	331010000352	1	Turbocharger Oil Pipe Assembly
6	90017510058	1	O-ring
7	331010000234	1	Plate
8	90011400019	1	Hexagon Flange Bolt
9	90013050070	2	Inner Hexagon Socket Head Cap Screw
10	612600114387	4	Locknut
11	14409622H	1	Turbocharger Oil Pipe Gasket
12	331010000402	1	Turbocharger Oil Pipe Assembly
13	90013050063	2	Inner Hexagon Socket Head Cap Screw
14	15100330C	1	Joint Body
15	1000556711	1	Turbocharger Oil Pipe Assembly
16	90011410002	2	Hexagon Flange Bolt
17	14420116P	2	
18	77720090J	1	
19	13023362	2	Assembled Sealing Washer
20	90011420006	2	Hexagon Flange Bolt
21	X6231.633W	2	Exhaust Manifold Bolt
22	77753300G	2	Inner Hexagon Socket Head Cap Screw
23	90012420003	2	Prevailing Torque Type All-metal Hexagon Nut with Flange
24	331010000376	1	Supercharger Bracket
25	331010000272	1	Supercharger Bracket
26	90011420014	2	Hexagon Flange Bolt
27	330210000028	1	Gasket

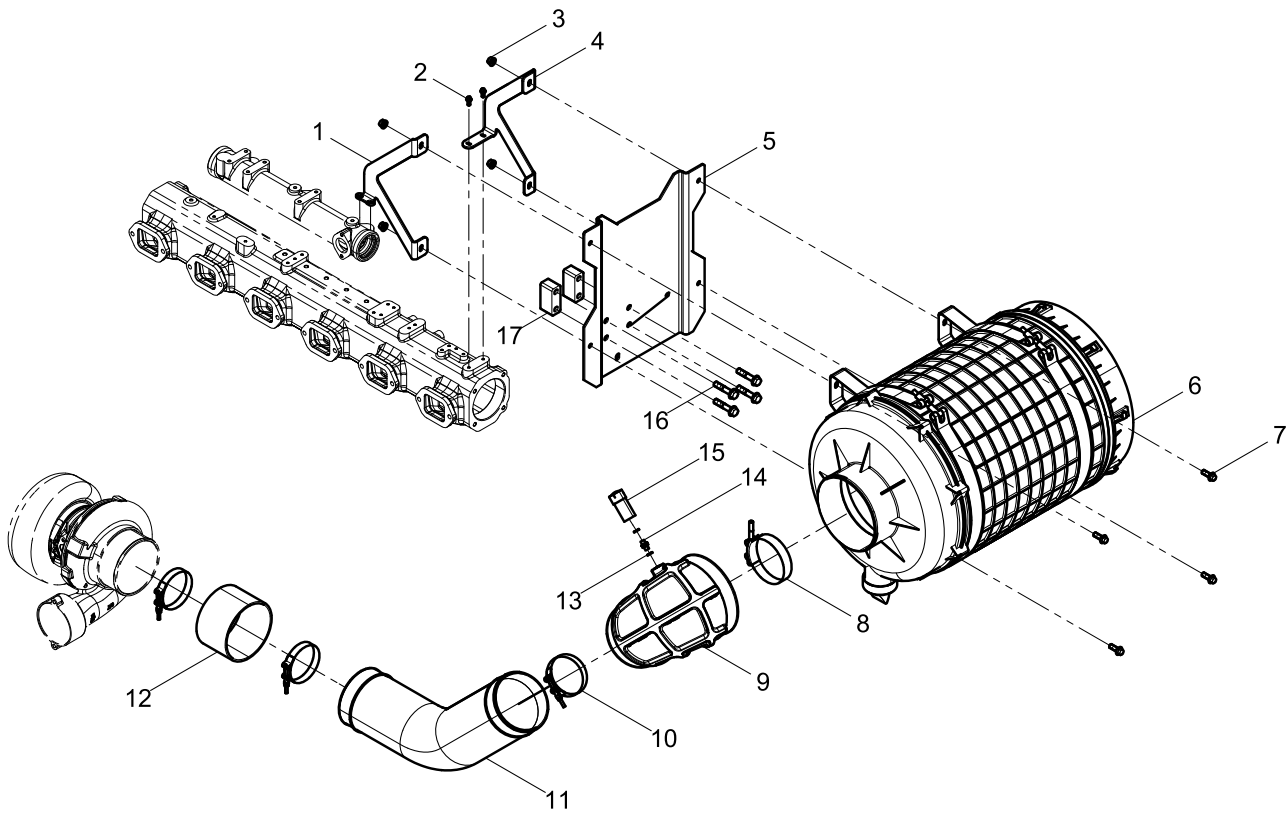
Compressor Pipe Group



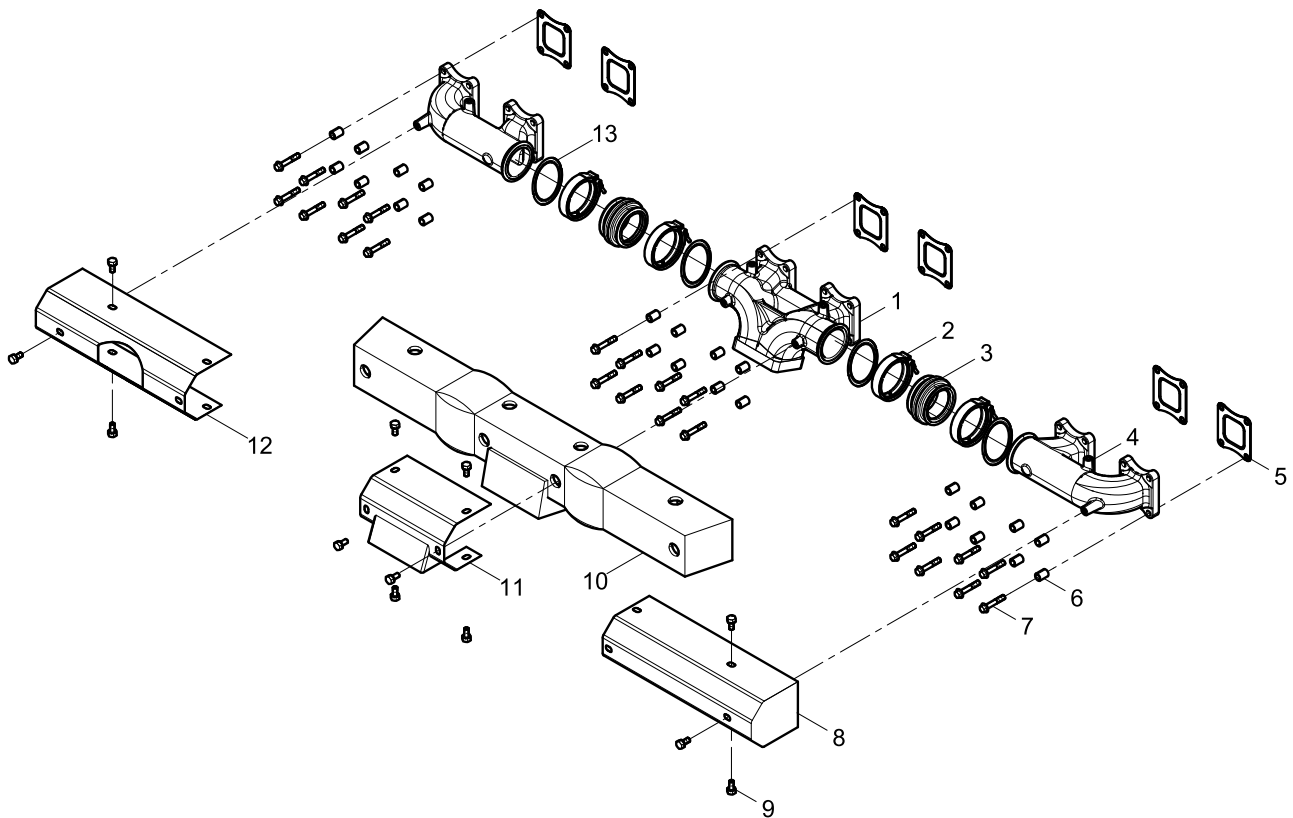
Compressor Pipe Group

Pos.	Teile.Number	Amount	Designation
1	90017510076	1	O-ring
2	1000034774	1	Compressor Air Pipe
3	331008000056	1	Plate
4	90003931122	2	Spring Washer
5	90013050003	2	
6	90017550021	1	O-Ring
7	X6209.104	2	Clamp
8	330208000127	1	Expansion Pipe
9	90011430041	2	Hexagon Flange with Tooth Bolt
10	331008000477	1	Inter-cool Pipe Bracket
11	90011430009	3	Hexagon Flange with Tooth Bolt
12	331008000464	1	Inter-cool Pipe Bracket
13	90011430007	2	Hexagon Flange with Tooth Bolt
14	331008000478	1	Inter-cool Pipe Bracket
15	612600061720	2	Prevailing Torque Type Hexagon Nut with Flange
16	612600061719	4	Prevailing Torque Type Hexagon Nut with Flange
17	330208000300	1	Bolt
18	330208000303	1	Pad
19	1000081431	1	Intercool Pipe Assembly
20	330208000306	1	Gasket
21	330208000310	1	Expansion Pipe
22	612640130143	1	Clamp
23	330208000230	1	Pad
24	612600120276	1	Bolt

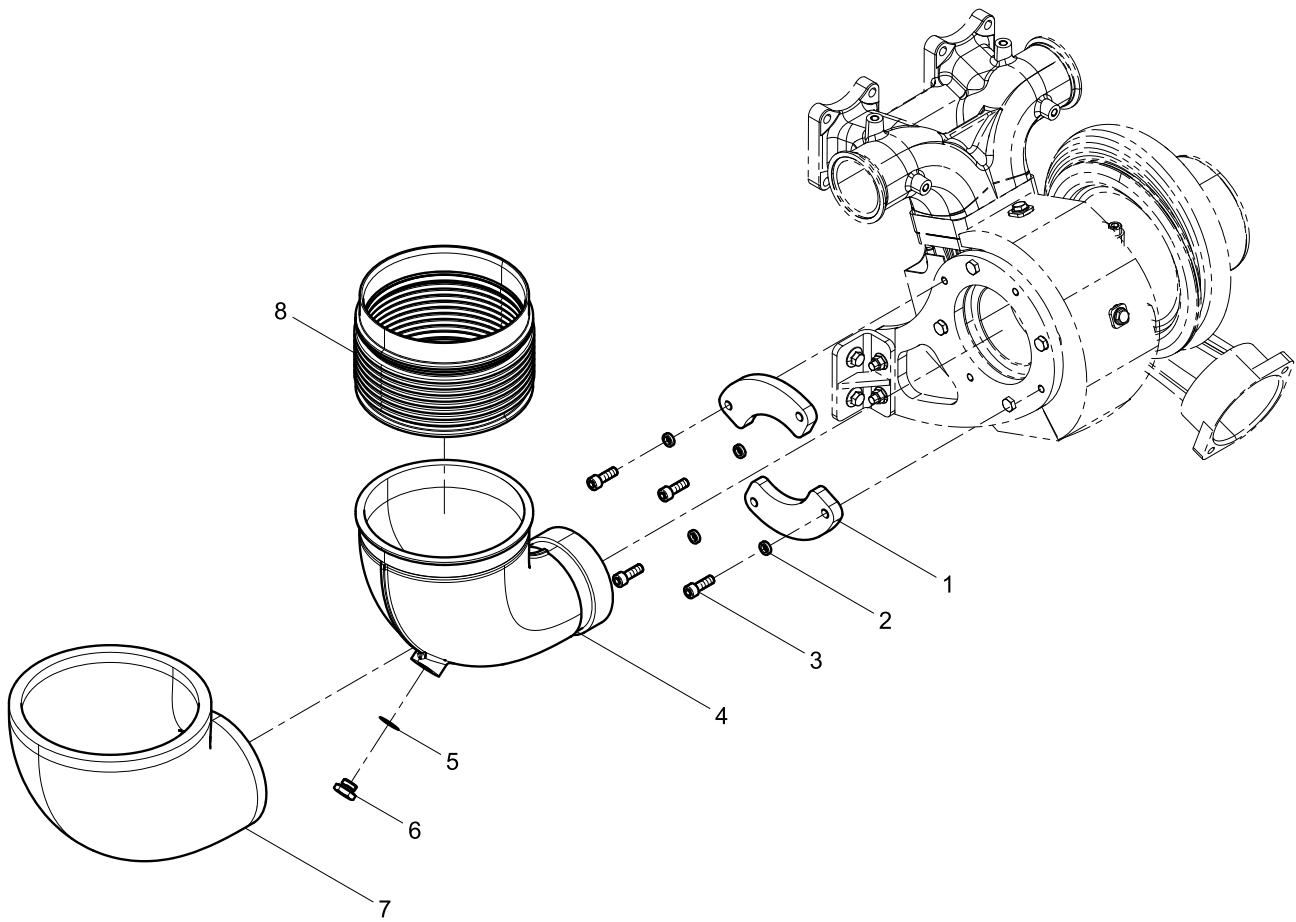
Air Filter Group



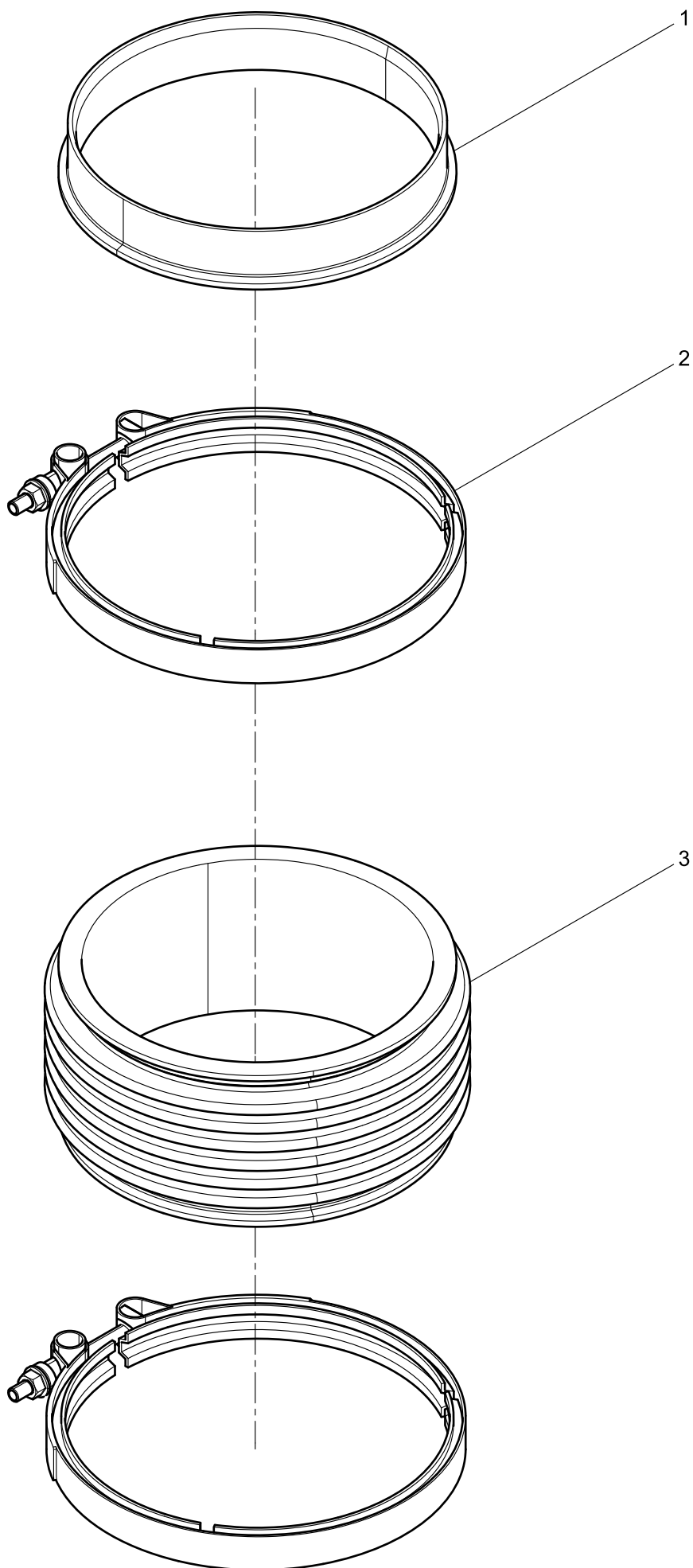
Exhaust Manifold Group



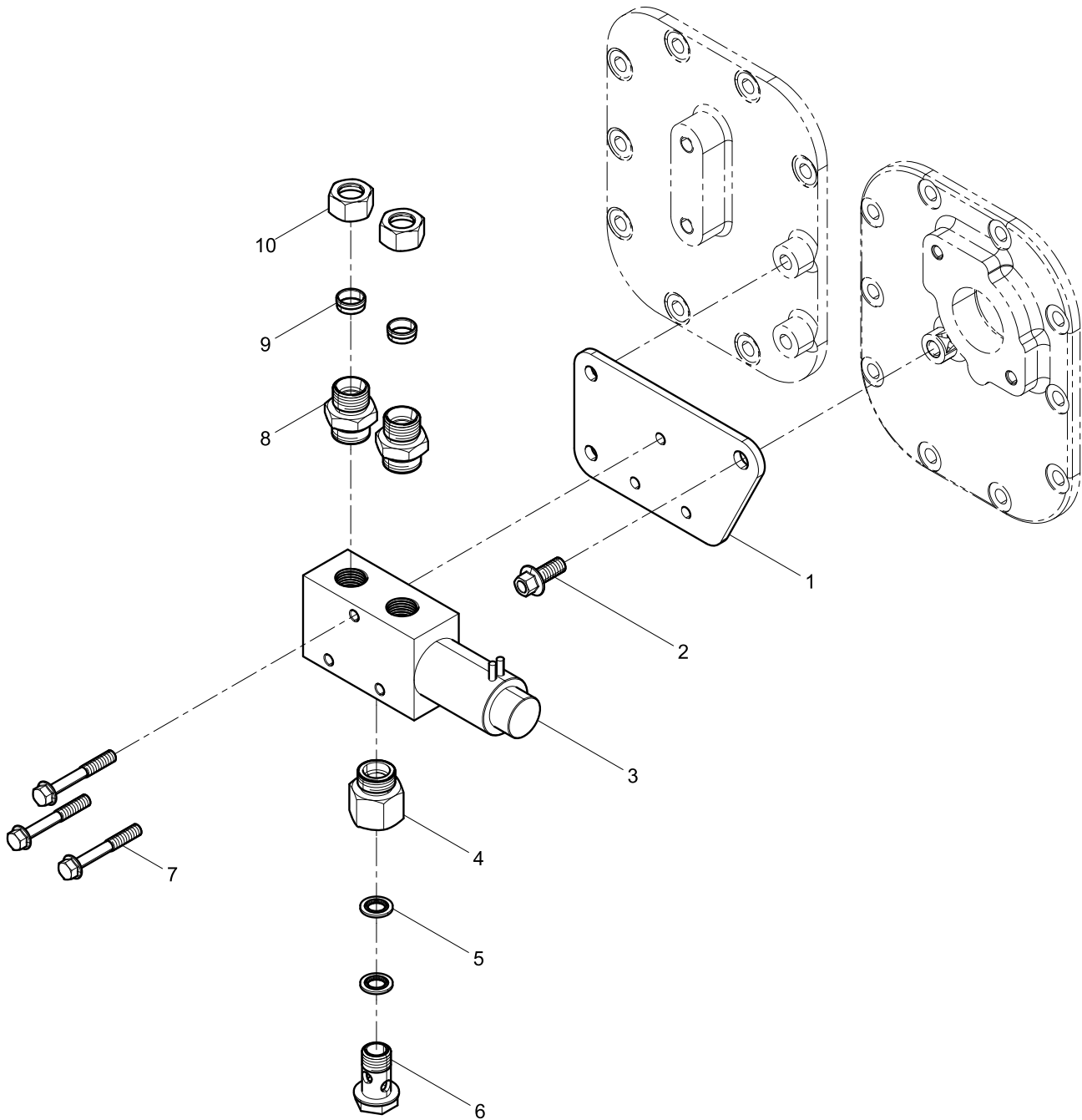
Rear Exhaust Manifold Group



Expansion Joint



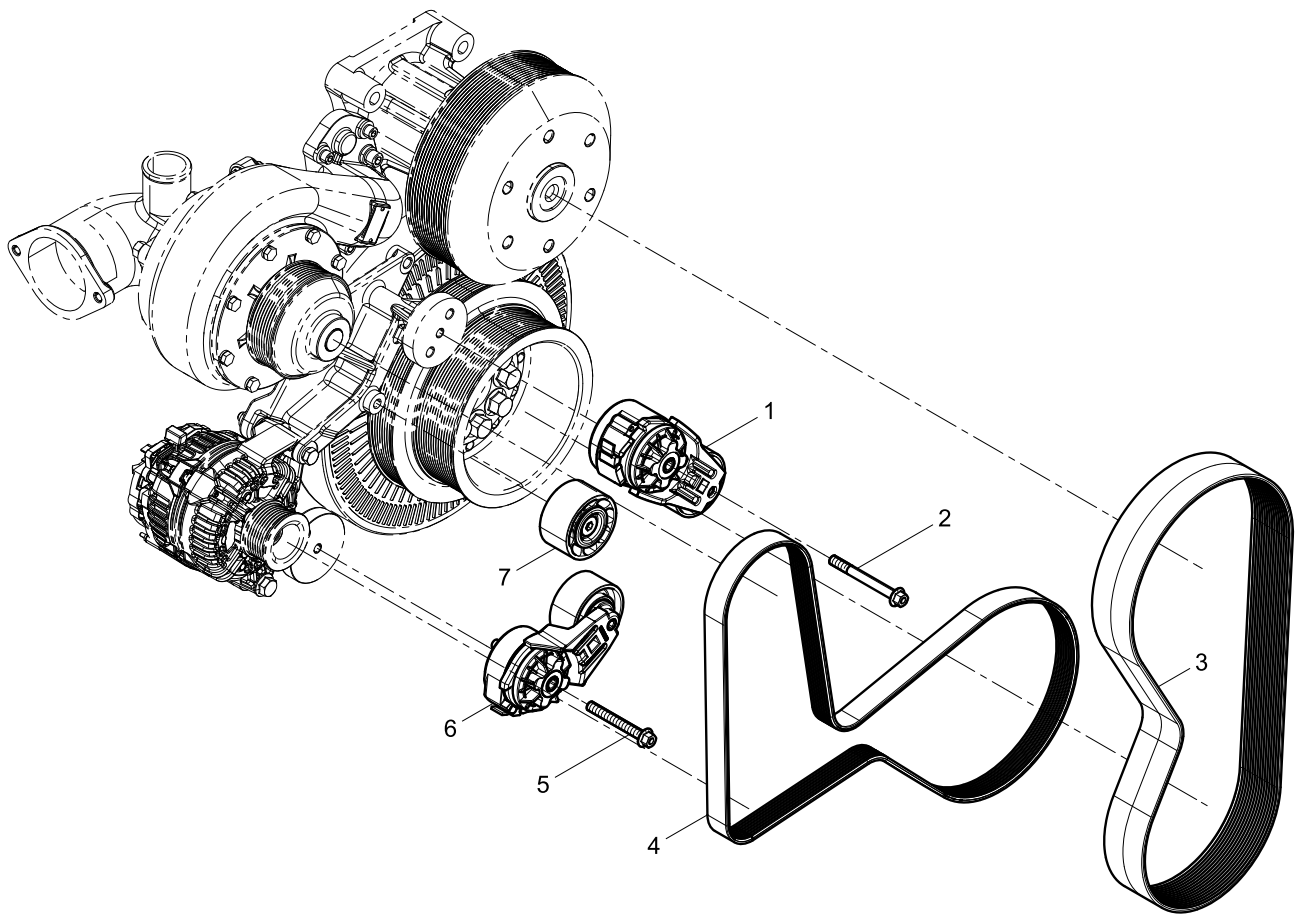
Shut-down Device Group



Shut-down Device Group

Pos.	Teile.Number	Amount	Designation
1	331005000804	1	Braking shut-down electromagnet
2	90011420022	1	Hexagon Flange Bolt
3	1000940938	1	Shut-down electromagnet
4	330205000521	1	Pipe Joint
5	13023361	2	Assembled Sealing Washer
6	612639000049	1	Bolt
7	90011400017	3	Hexagon Flange Bolt
8	330205000547	2	Ferrule Straight Thread Elbow-body
9	90017130002	2	Ferrule
10	90017480002	2	Ferrule 24° Cone Connectors, Nut

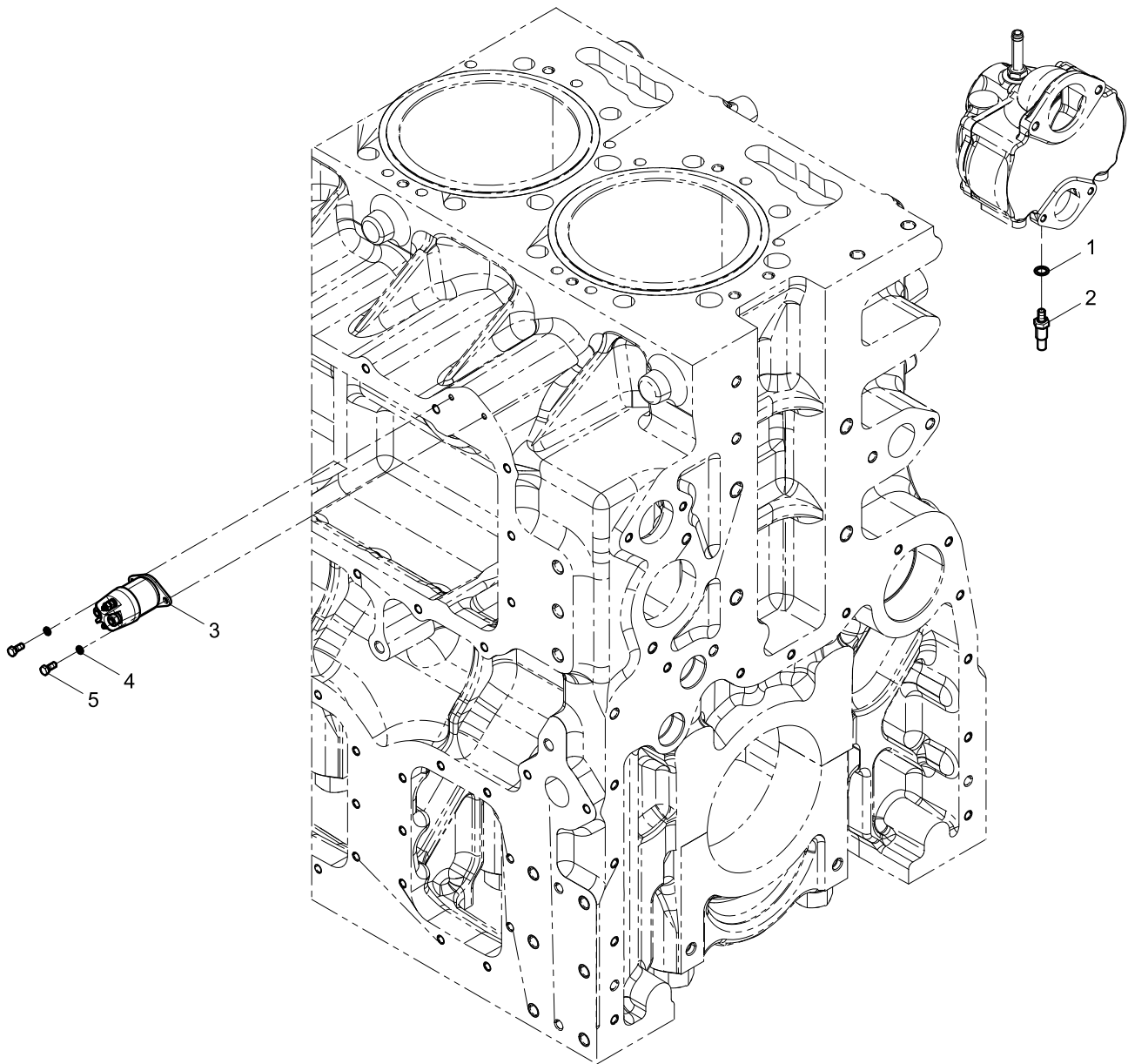
Tensioner And Belt Group



Tensioner And Belt Group

Pos.	Teile.Number	Amount	Designation
1	X6231.186W	1	Automatic Tensioner
2	9000000702	1	Hexagon Flange Bolt
3	1000692961	1	Poly V Belt
4	1000692983	1	Poly V Belt
5	9000000325	1	Hexagon Flange Bolt
6	612600061332	1	Automatic Tensioner
7	612630060836	1	Tensioner

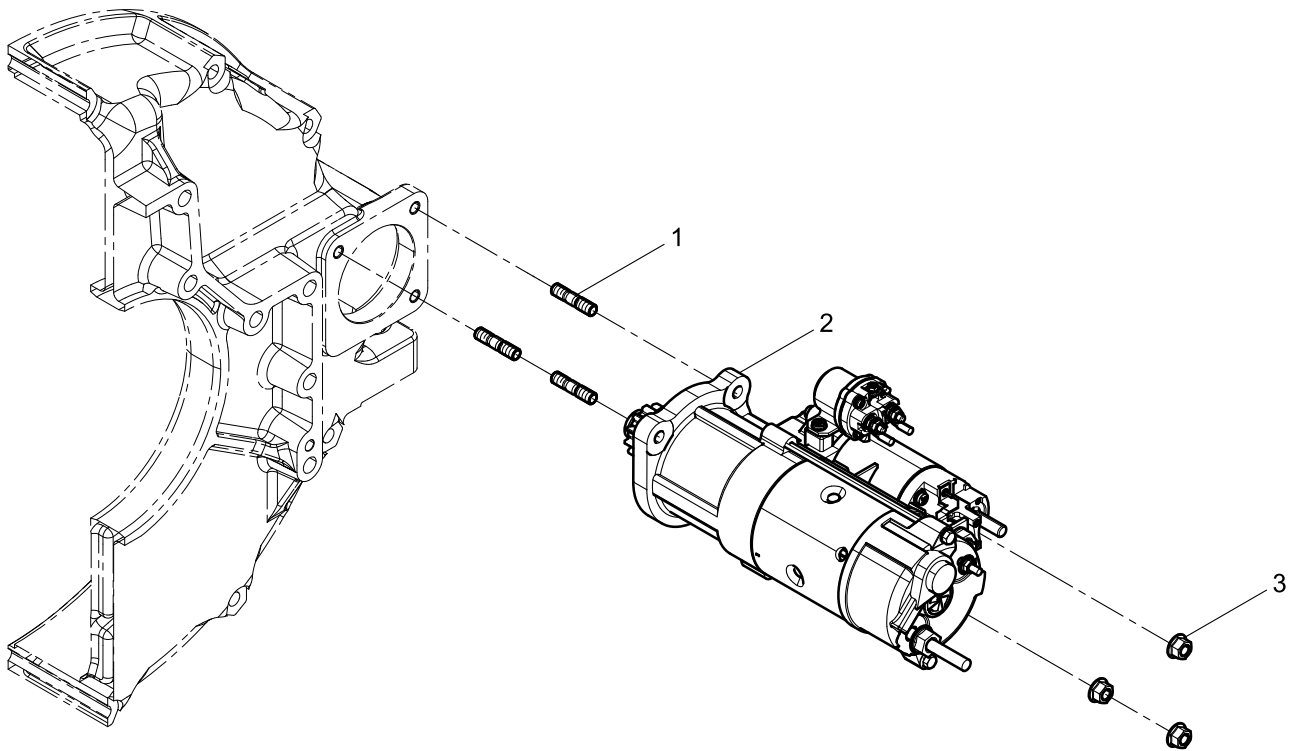
Auxiliary Starting Device Oc



Auxiliary Starting Device Oc

Pos.	Teile.Number	Amount	Designation
1	77707510K	1	Washer
2	612600090107	1	Temperature Sensor
3	612630080076	1	Relay
4	90014350002	2	Spring Washer
5	90011270060	2	Hexagon head bolt

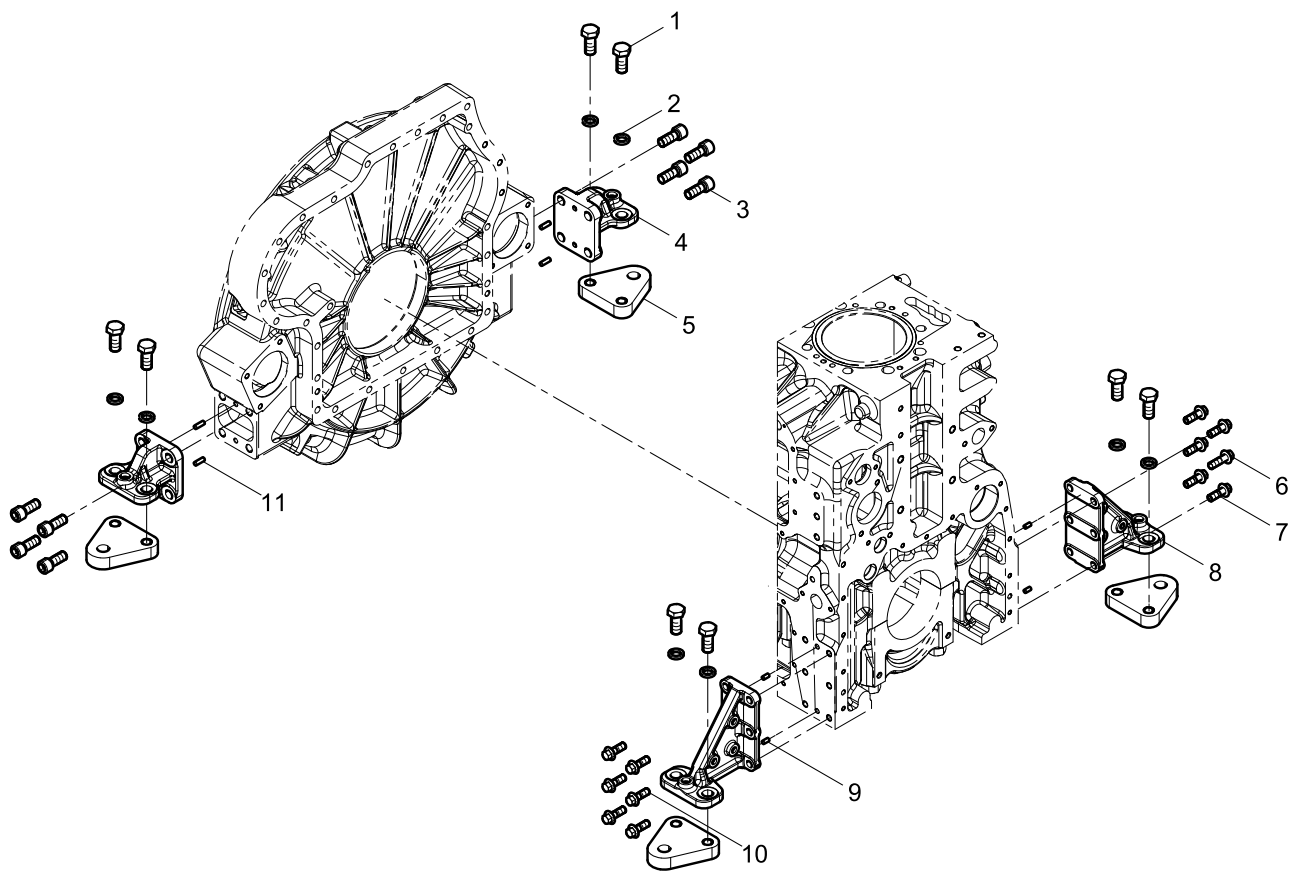
Starter Motor Group



Starter Motor Group

Pos.	Teile.Number	Amount	Designation
1	90011540005	3	Double End Stud
2	1000728415	1	Starter Motor
3	90012290007	3	Hexagon Flange Nut

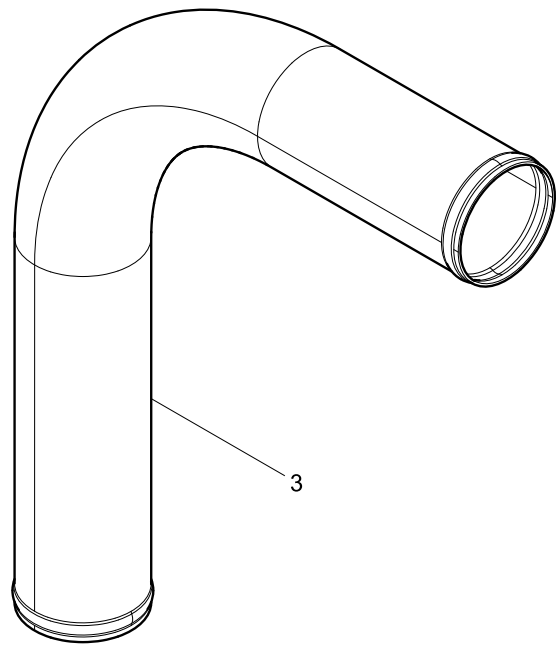
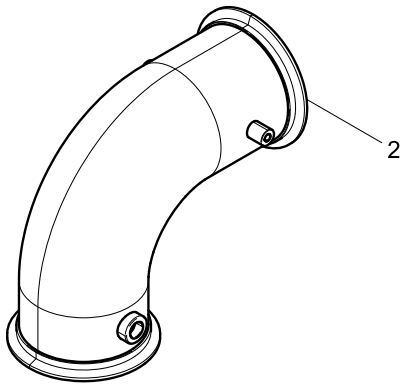
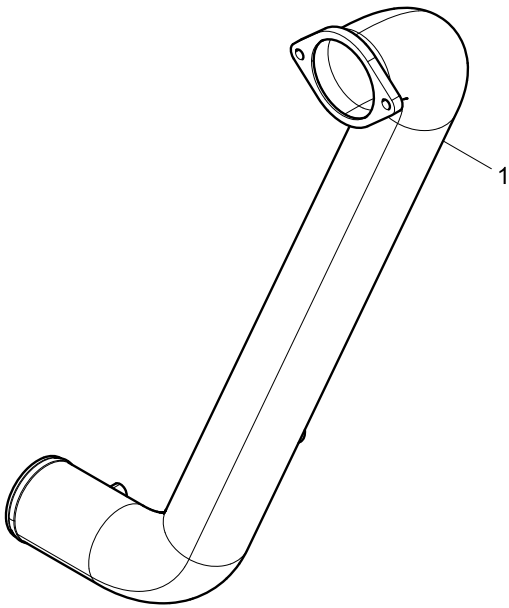
Engine Bracket Group



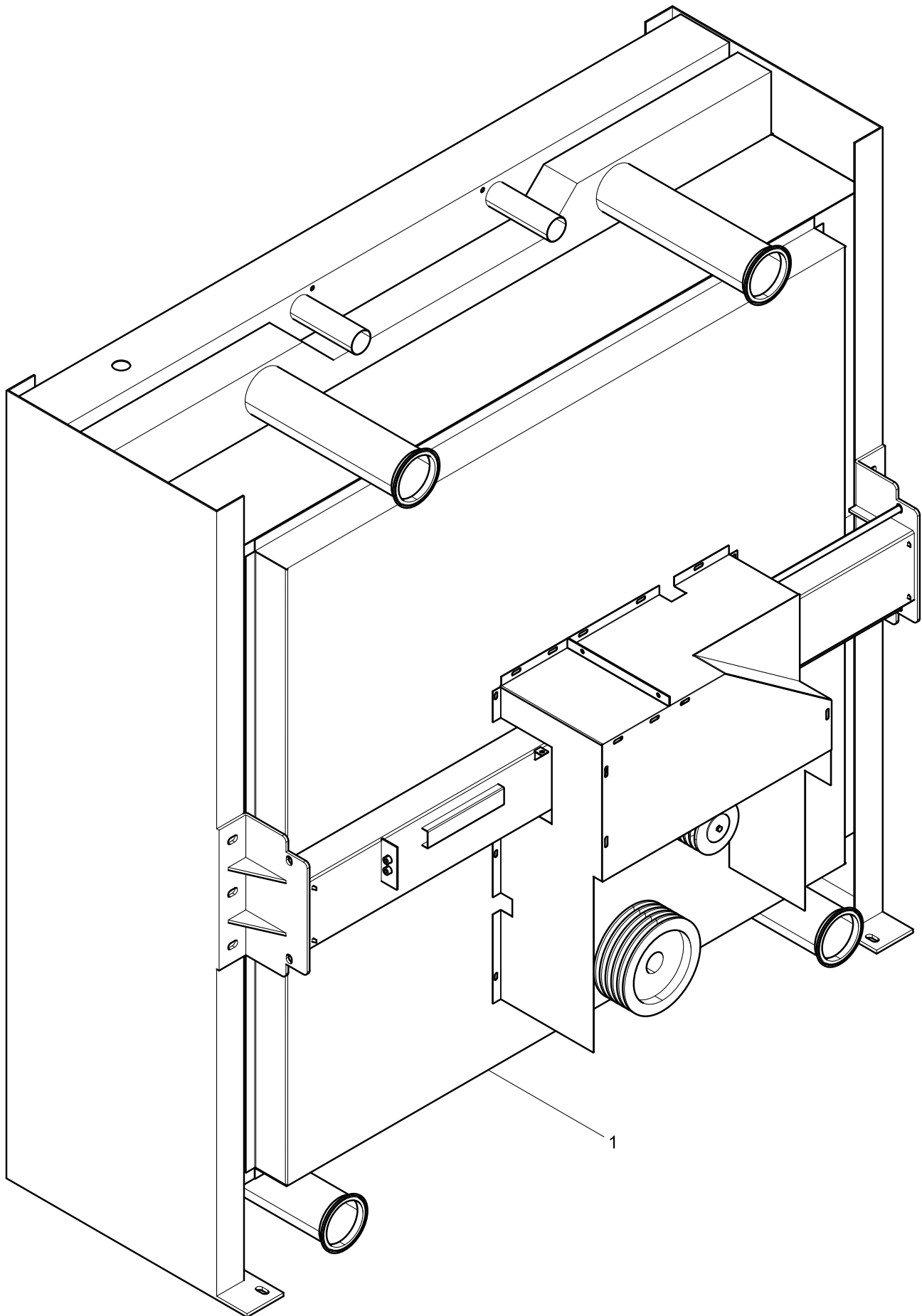
Engine Bracket Group

Pos.	Teile.Number	Amount	Designation
1	330201000254	8	Hexagon Head Bolt
2	90014010004	8	Single Coil Spring Lock Washer, Normal Type
3	90013050086	8	Inner Hexagon Socket Head Cap Screw
4	331001000441	2	Engine Bracket
5	330201000226	4	Bracket
6	90011400049	1	Hexagon flange bolt, heavy series
7	90011420005	10	Hexagon Flange Bolt
8	X6231.213W	2	Engine Bracket
9	90015210006	4	Parallel Pin
10	90011270022	1	Hexagon head bolt
11	90015040024	4	Parallel Pin

Packing Box Chassis Parts Group



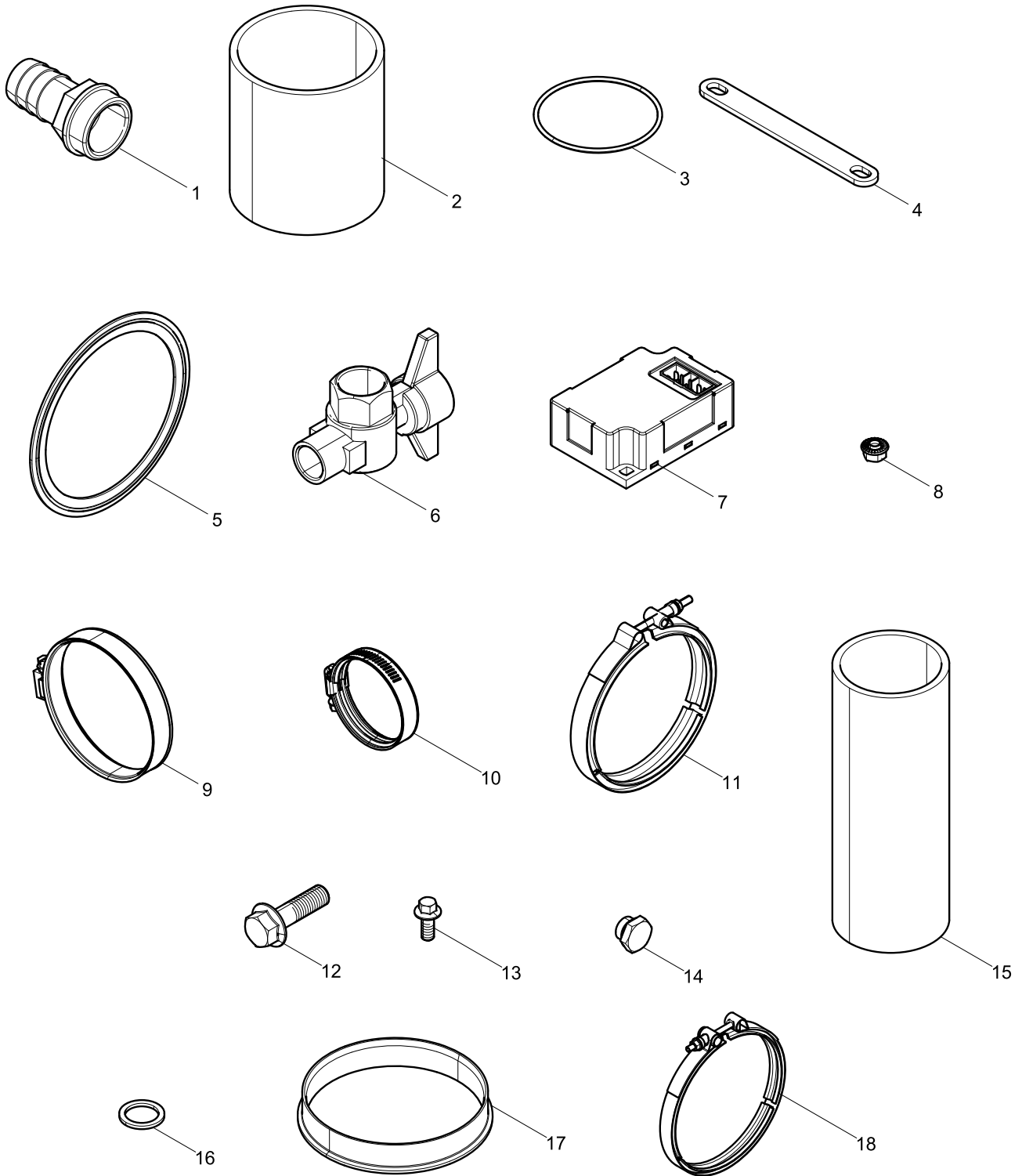
Separate Delivery Parts Group Attached to Engine



Separate Delivery Parts Group Attached to Engine

Pos.	Teile.Number	Amount	Designation
1	1000701486	1	Radiator

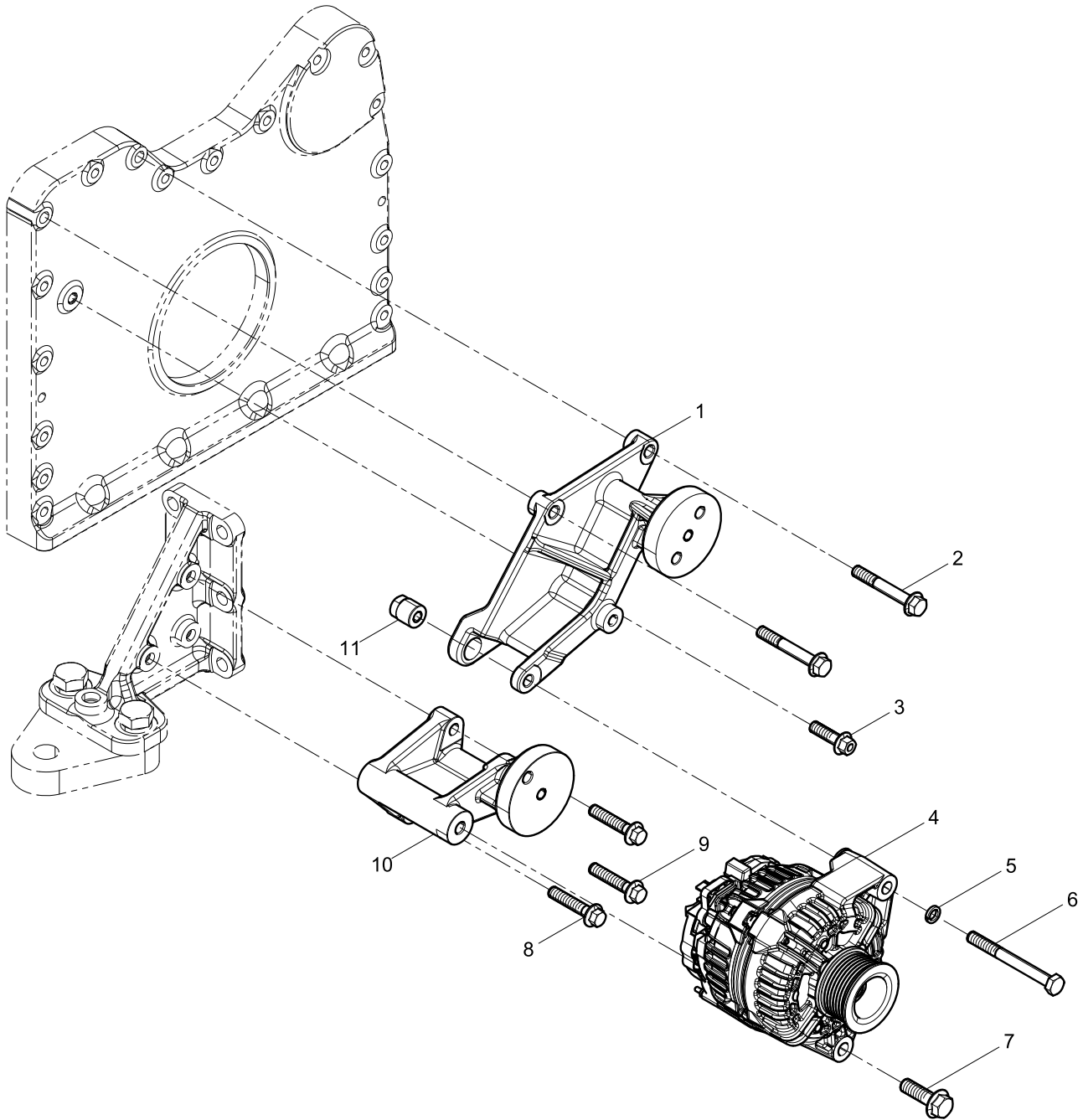
Parts Box Group



Parts Box Group

Pos.	Teile.Number	Amount	Designation
1	15035710N	1	Pipe Joint
2	330203000240	1	Coolant Connecting Rubber Pipe
3	90017510096	1	O-ring
4	330208000147	5	Plate
5	330208000306	4	Gasket
6	77736060S	1	Valve Core
7	1000728423	1	Flame Preheater Cold Starter Controller
8	1000593609	1	Thin Nut for Connector
9	612600062212	2	Clamp
10	612600114682	2	Clamp
11	612640130143	4	Clamp
12	90011400006	4	Hexagon Flange Bolt
13	90011430016	10	Hexagon Flange with Tooth Bolt
14	11230560F	2	Screw Plug
15	X6231.640W	1	Coolant Connecting Rubber Pipe
16	90014400008	2	Sealing Washer
17	15101160E	2	Flange
18	330209000144	2	Clamp

Alternator Group



This manual is for reference only,
product parameters are subject to alteration
without notice,
whichever is the physical product.