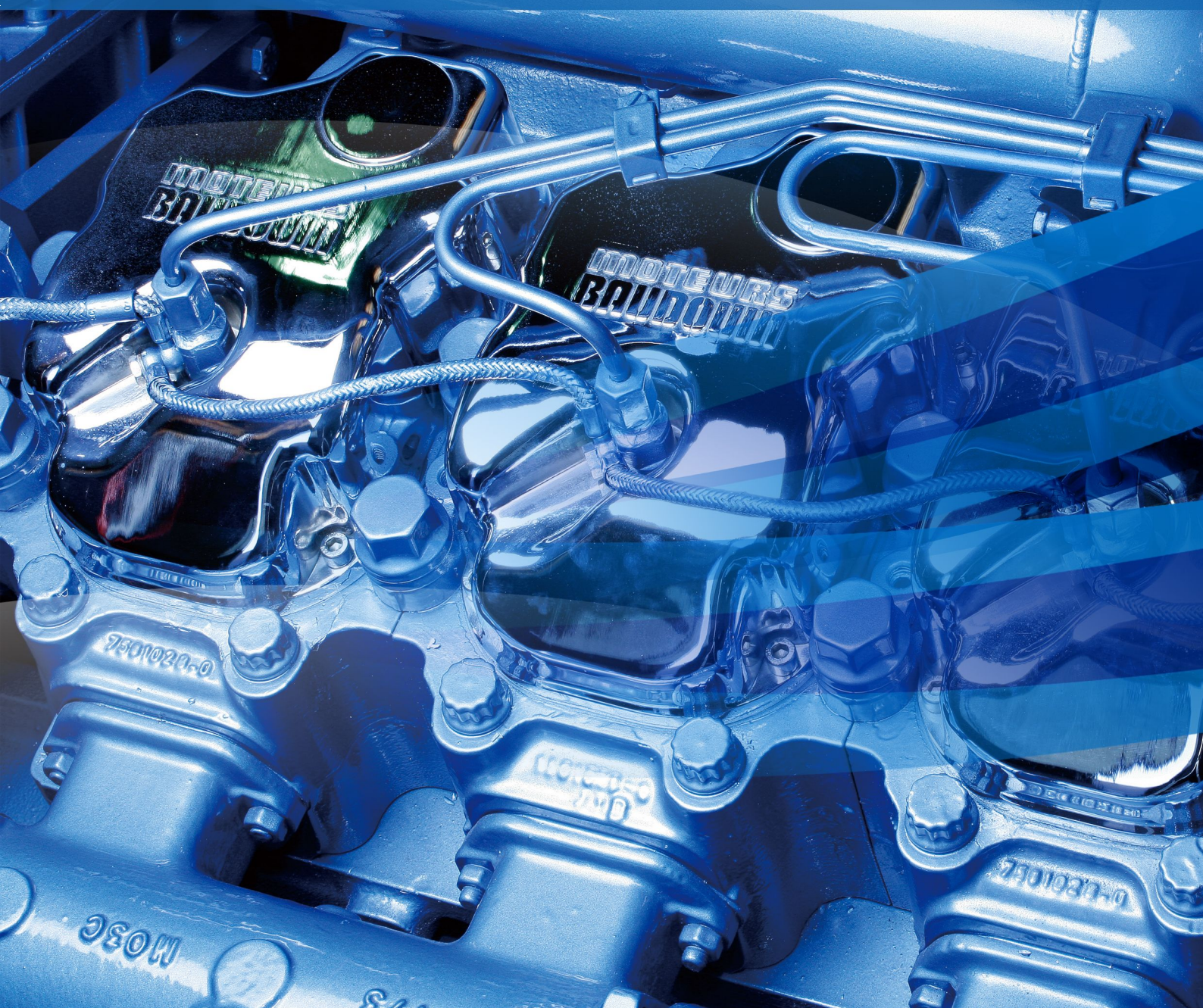


6M16 BAUDOIN DIESEL PARTS CATALOGUE



PREFACE

This illustrated parts manual is specially prepared for customers to facilitate the use of 6M16 series diesel engine in operation and tenance.

The illustrations are grouped under the heading of each assembly and numbered individually.Part.

No.,Quantity,Model,English designation,Chinese designation and so on are written in the parts list .
The parts catalogue include detailed assembling parts list of diesel engine ,some parts can not be sold ,if you want to know selling part matters,please ask weichai power spare part resource CO.,LTD.

With the development of technology and production,the versions of the diesel engine will be increased, so the catalogue will be revised.Please pay attention to our revised edition.After service of this product is authorized to Weichai Power Co.,Ltd ,Consumers can acquire information of this product through www.weichai.com.

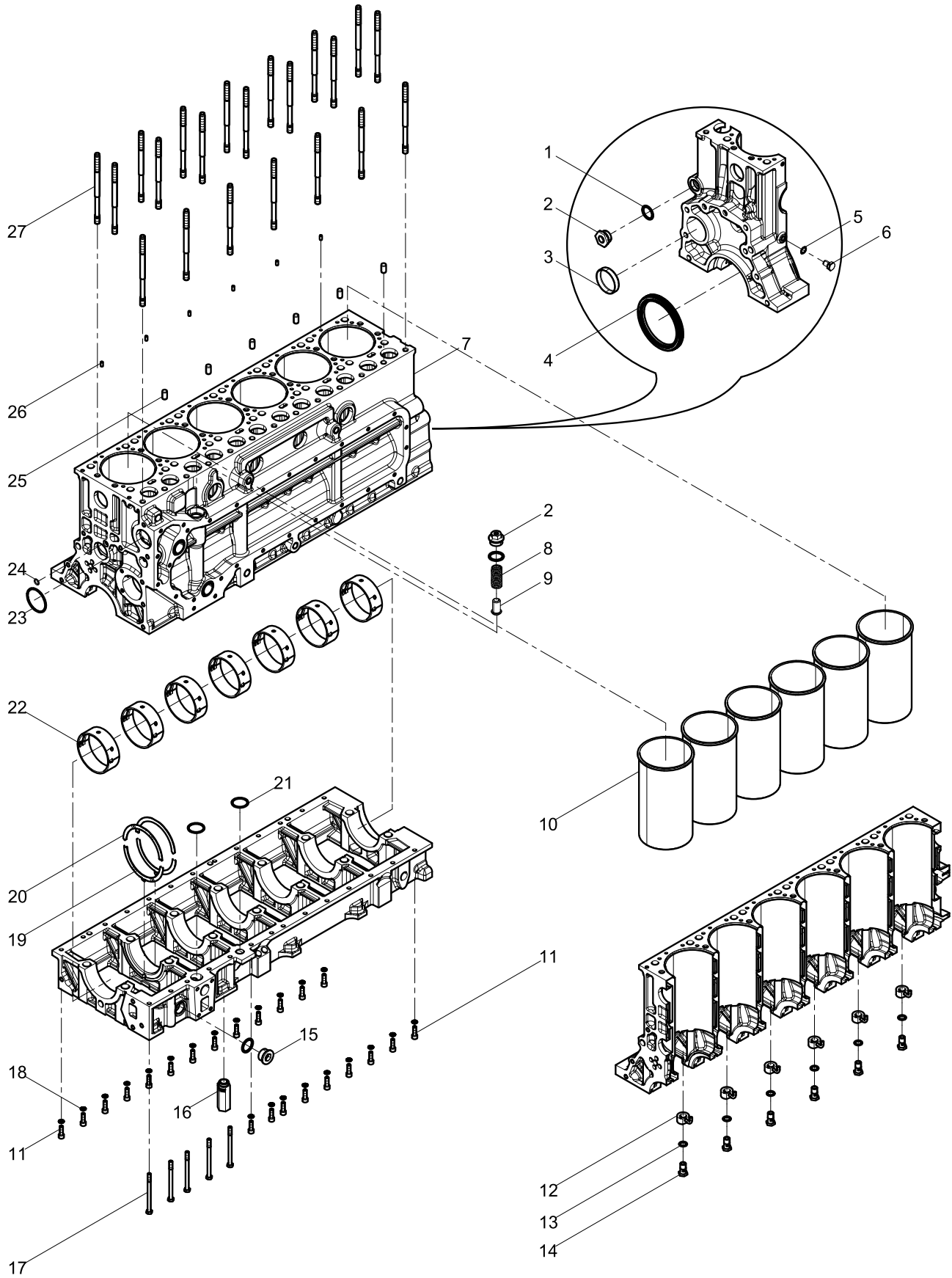
CONTENTS

| | |
|--|-----------|
| Engine Block Group | 1 |
| crankcase assembly | 3 |
| Cylinder Block Preassembly | 5 |
| Flywheel Housing Group | 7 |
| Timing Gear Housing Group | 9 |
| Front cover group | 11 |
| Crankshaft Group | 13 |
| Crankshaft Assembly | 15 |
| Crankshaft Subassembly | 17 |
| Flywheel Group | 19 |
| Piston and Connecting Rod Group | 21 |
| Piston Ring Set | 23 |
| Connecting Rod Assembly | 25 |
| Cylinder Head Group | 27 |
| Cylinder Head Subassembly | 29 |
| Cylinder Head Cover Group | 31 |
| Valve Train Group | 33 |
| Camshaft Assembly | 35 |
| Idler Gear Assembly..... | 37 |
| Intake Rocker Arm Assembly | 39 |
| Exhaust Rocker Arm Set | 41 |
| Crankshaft Pulley Group | 43 |
| Oil Pan | 45 |
| Oil Pan Assembly..... | 47 |
| Dipstick Group | 49 |
| Oil Pump Group | 51 |
| Oil Pump Idle Gear Set | 53 |
| Oil Strainer Group | 55 |
| Oil Cooler Group | 57 |
| Oil Filter Group | 59 |

| | |
|---|------------|
| Oil Filter | 61 |
| Oil Filling Tube Group | 63 |
| Oil-gas Separator Group | 65 |
| Oil-gas Separator Assembly | 67 |
| Water Pump Group | 69 |
| Water Pipe Connector Group | 71 |
| Water Outlet Pipe Group | 73 |
| Thermostat Group | 75 |
| Intercooler Group | 77 |
| Fan and Hub Group..... | 79 |
| Fuel Injection Pump Group | 81 |
| Fuel Injector Group..... | 83 |
| Low Pressure Fuel Pipe Group..... | 85 |
| Fuel Filter Group | 87 |
| Fuel Filter | 89 |
| Fuel Coarse Filter | 91 |
| High Pressure Fuel Pipe Group..... | 93 |
| High-pressure Fuel Pipe Assembly | 95 |
| Intake Manifold Group | 97 |
| Intake Manifold Assembly | 99 |
| Turbocharger Group | 101 |
| Turbocharger Oil Pipe Group | 103 |
| Air Filter Group..... | 105 |
| Exhaust Manifold Group | 107 |
| Rear Exhaust Manifold Group..... | 109 |
| Tensioner And Belt Group | 111 |
| Starter Motor Group | 113 |
| Engine Bracket Group..... | 115 |
| Packing Box Chassis Parts Group..... | 117 |
| Air Filter | 119 |

| | |
|--|------------|
| Separate Delivery Parts Group Attached to Engine..... | 121 |
| Parts Box Group | 123 |
| Alternator Group | 125 |
| Alternator Bracket Group | 127 |

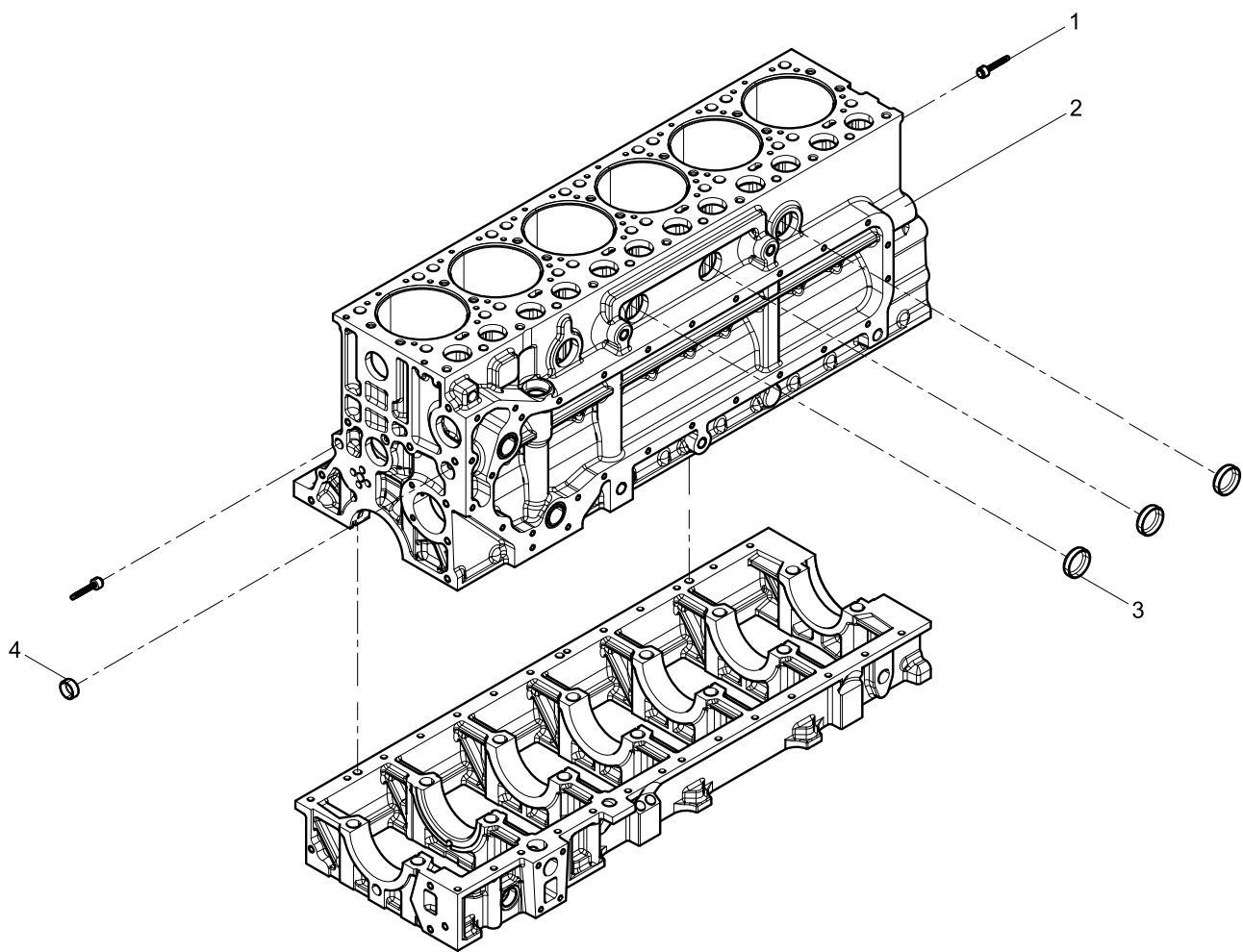
Engine Block Group



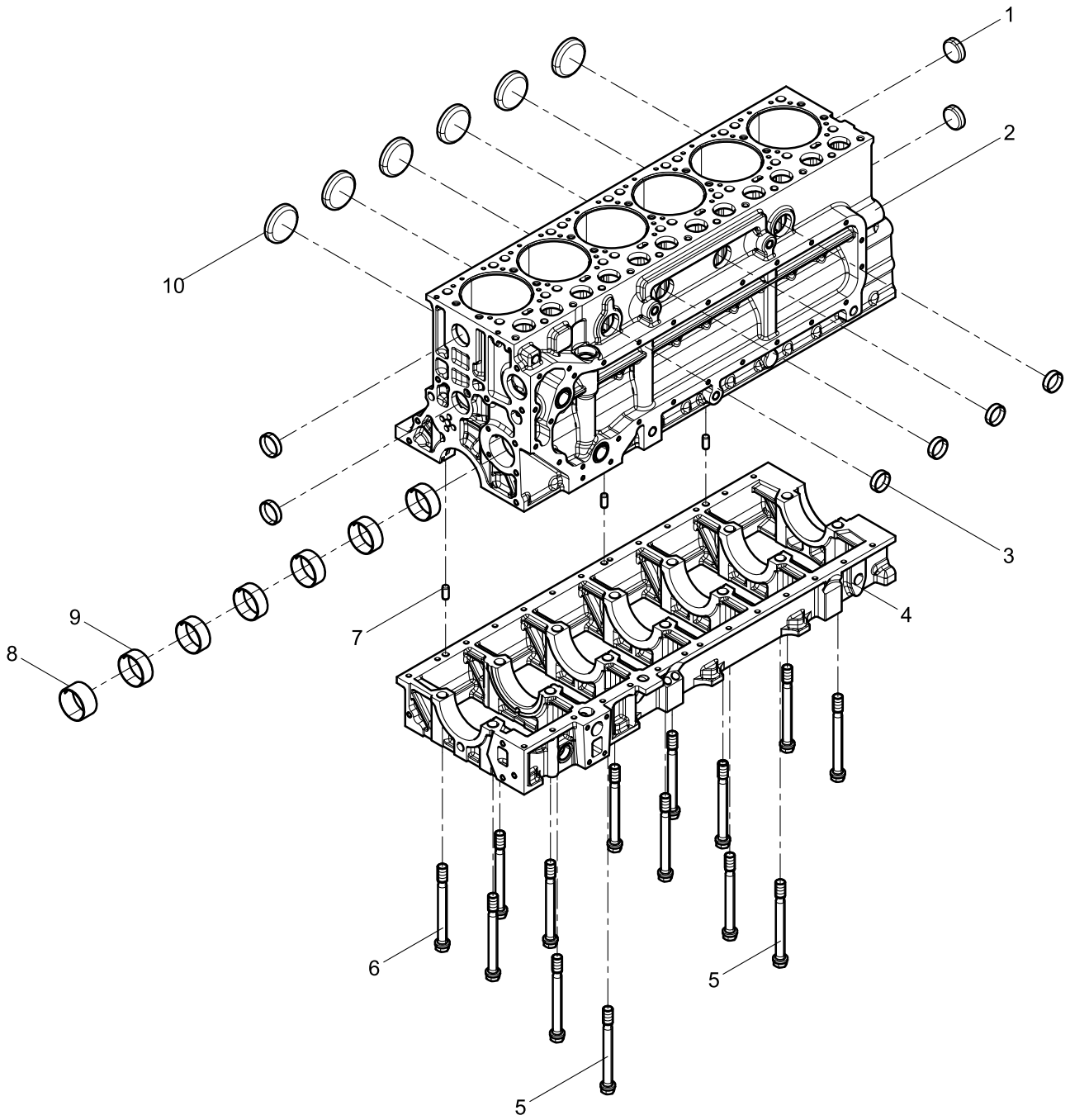
Engine Block Group

| Pos. | Teile.Number | Amount | Designation |
|------|--------------|--------|---|
| 1 | 612600010735 | 3 | Washer |
| 2 | 90003962051 | 2 | Hexagon plug |
| 3 | 90003989288 | 1 | Bowl Plug |
| 4 | 61500010100 | 1 | Rear Oil Seal |
| 5 | 612600050042 | 1 | Sealing Washer |
| 6 | 612600070216 | 1 | Screw Plug |
| 7 | 612600900214 | 1 | crankcase assembly |
| 8 | 614070068 | 1 | Oil Pump Safety Valve Spring |
| 9 | 614070069 | 1 | Oil Pressure Relief Valve |
| 10 | 612630010015 | 6 | Cylinder Liner |
| 11 | 90003862428 | 22 | Inner Hexagon Socket Head Cap Screw |
| 12 | 612600010659 | 6 | Piston Nozzle Assembly |
| 13 | 90003098015 | 6 | Sealing Washer |
| 14 | 90003962621 | 6 | Hollow screw |
| 15 | 90003962050 | 1 | Hexagon Taper Screw Plug |
| 16 | AZ1500070097 | 1 | Pressure-limiting valve of the main oil passage |
| 17 | 90003802493 | 5 | Hexagon Head Bolt |
| 18 | 188250083 | 22 | Washer |
| 19 | 612600013918 | 2 | Lower Thrust Plate |
| 20 | 612600013917 | 2 | Upper Thrust Plate |
| 21 | 81400010032 | 2 | Seal Ring |
| 22 | 81500010046 | 7 | Main Bearing Set |
| 23 | 61000010134 | 1 | O-ring |
| 24 | 288730061 | 1 | O-ring |
| 25 | 90003901604 | 6 | Parallel Pin |
| 26 | 90003909626 | 6 | Spring-Type Straight Pin |
| 27 | 61500010185S | 21 | Cylinder Head Bolt |

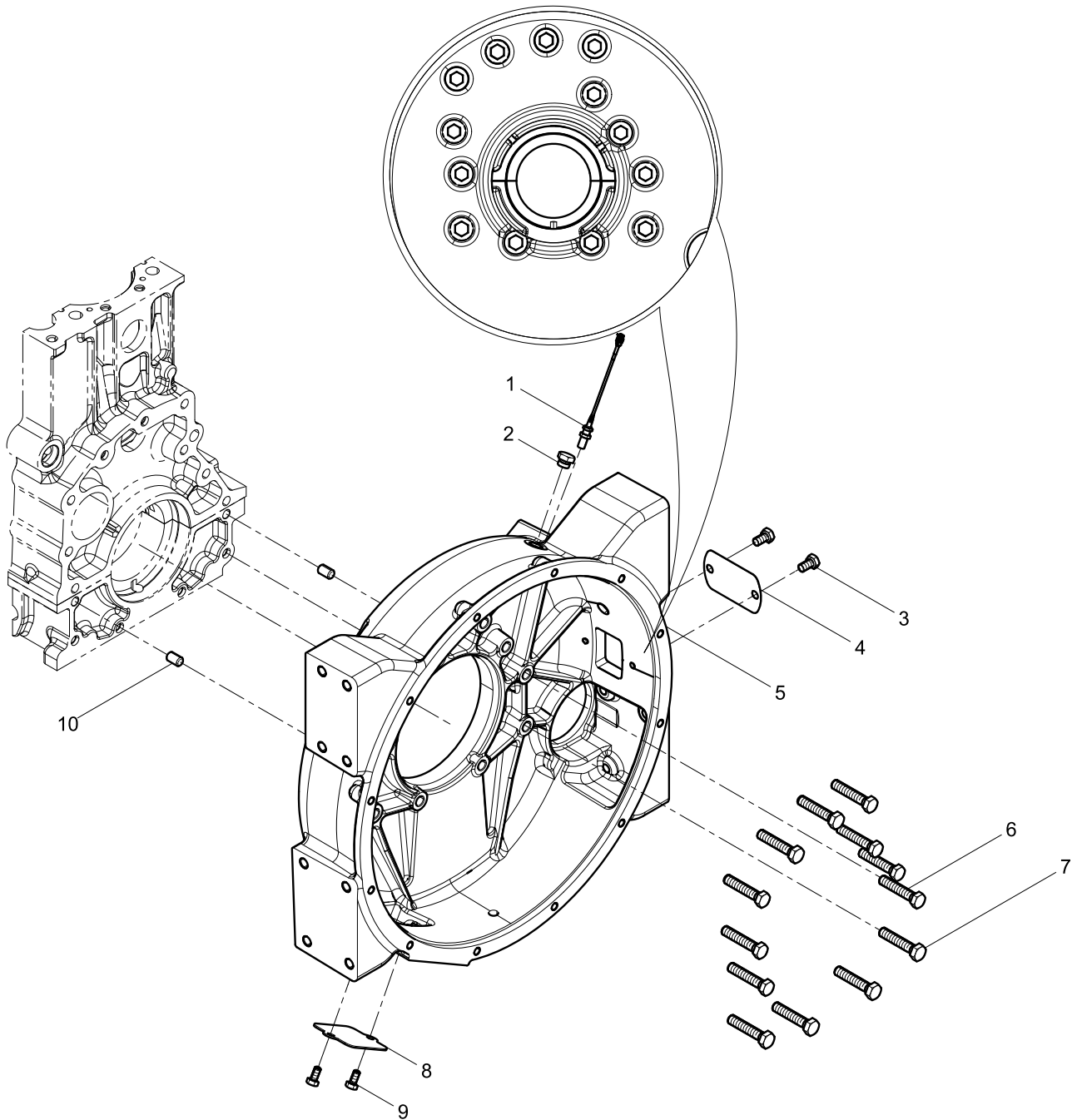
crankcase assembly



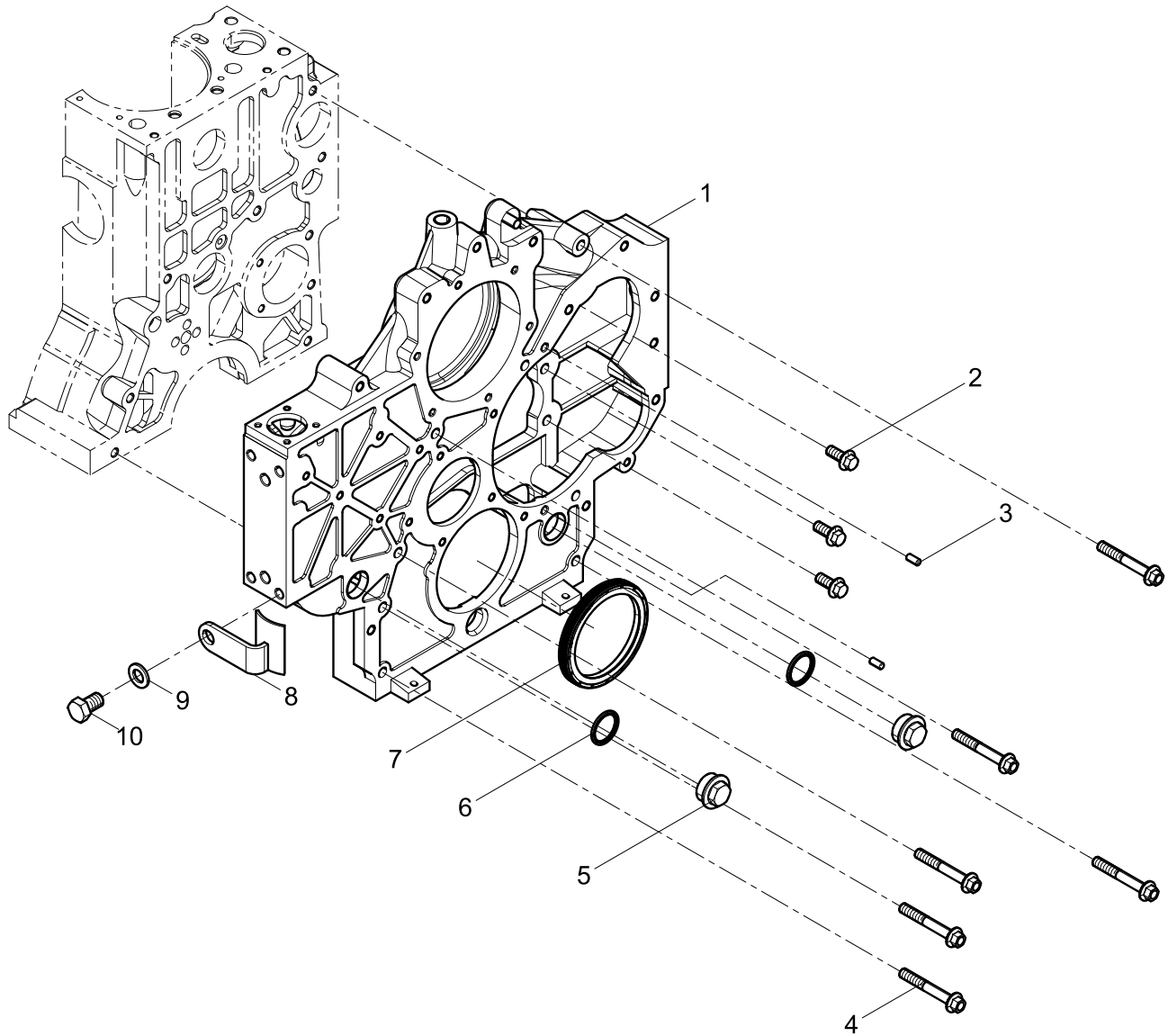
Cylinder Block Preassembly



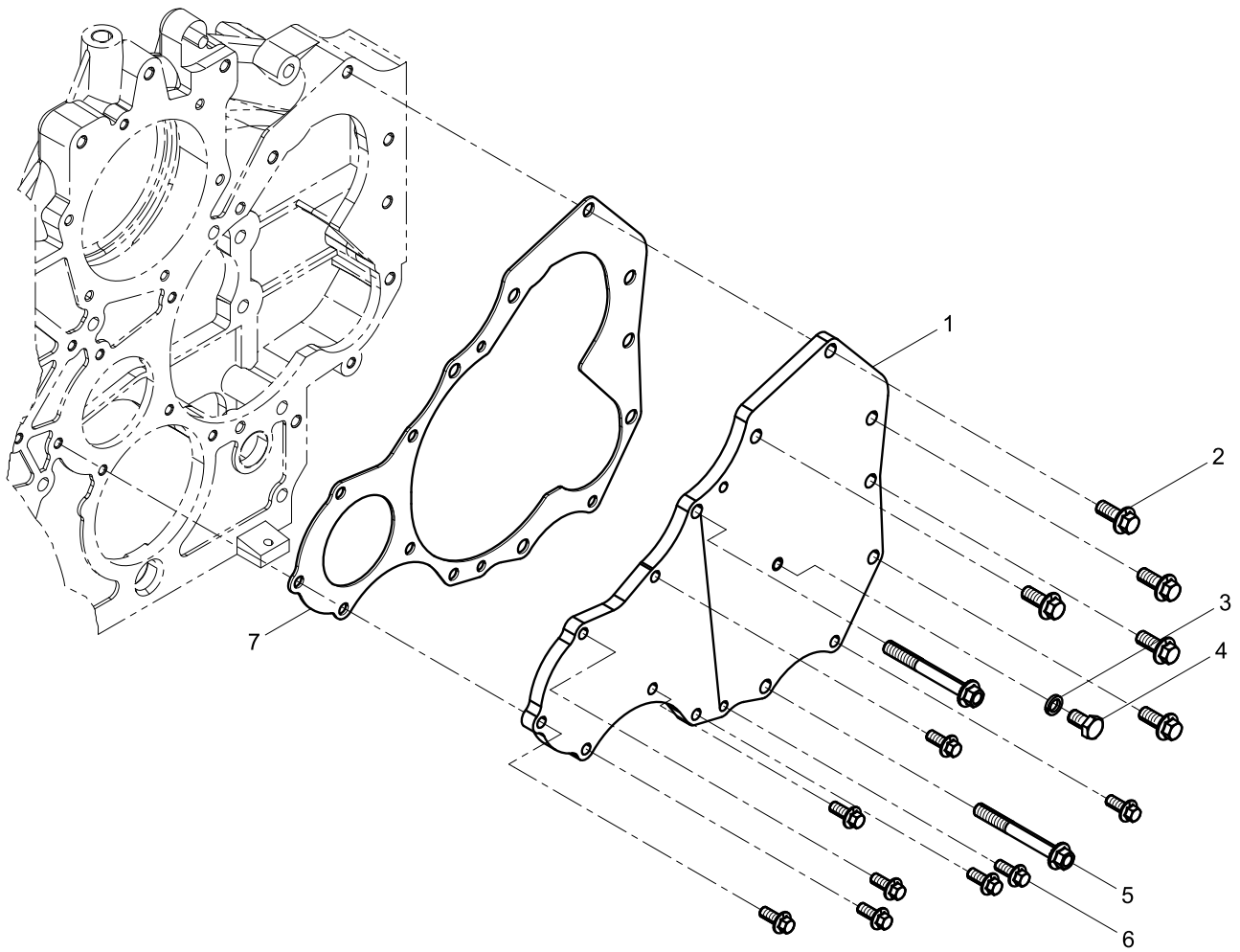
Flywheel Housing Group



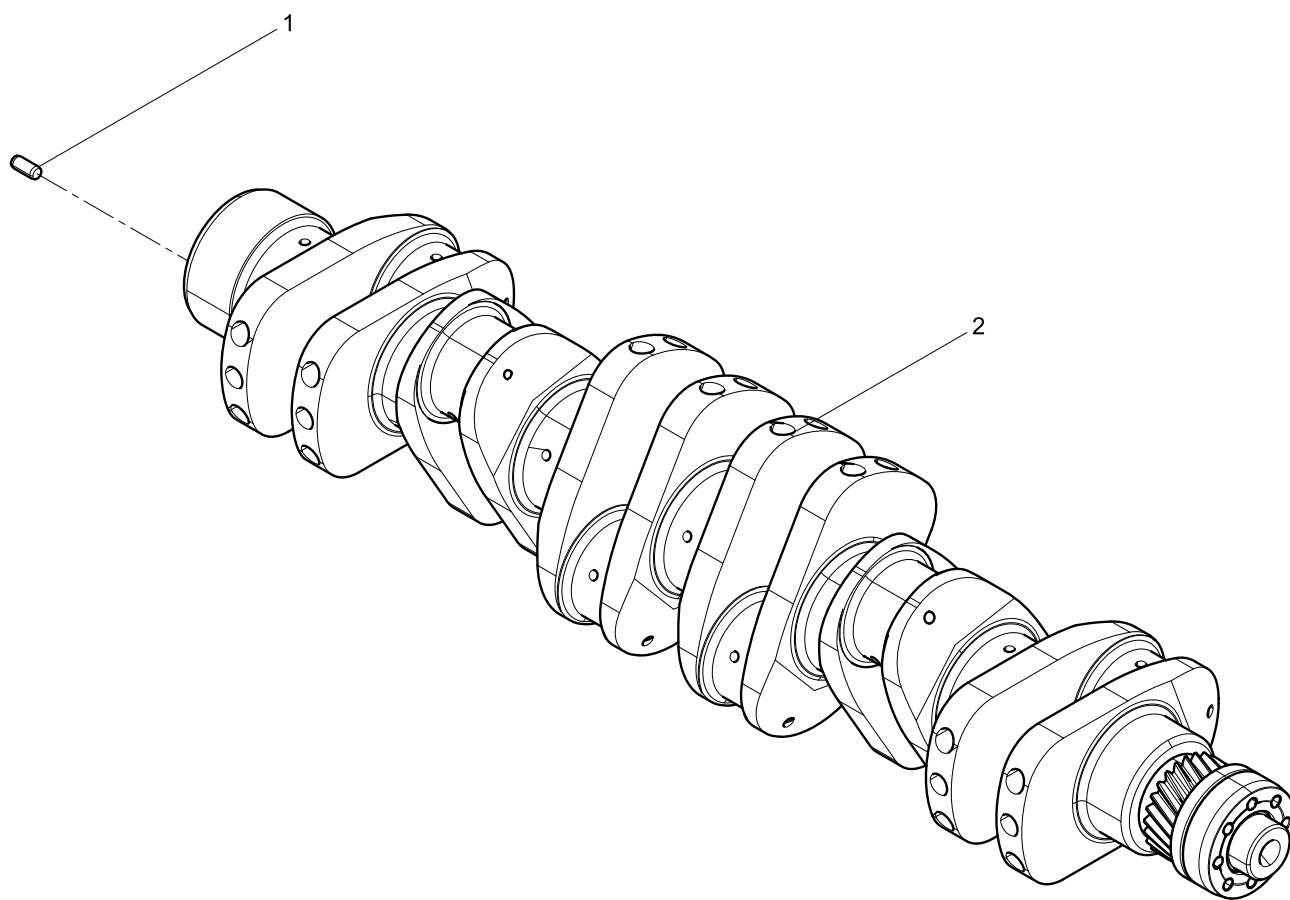
Timing Gear Housing Group



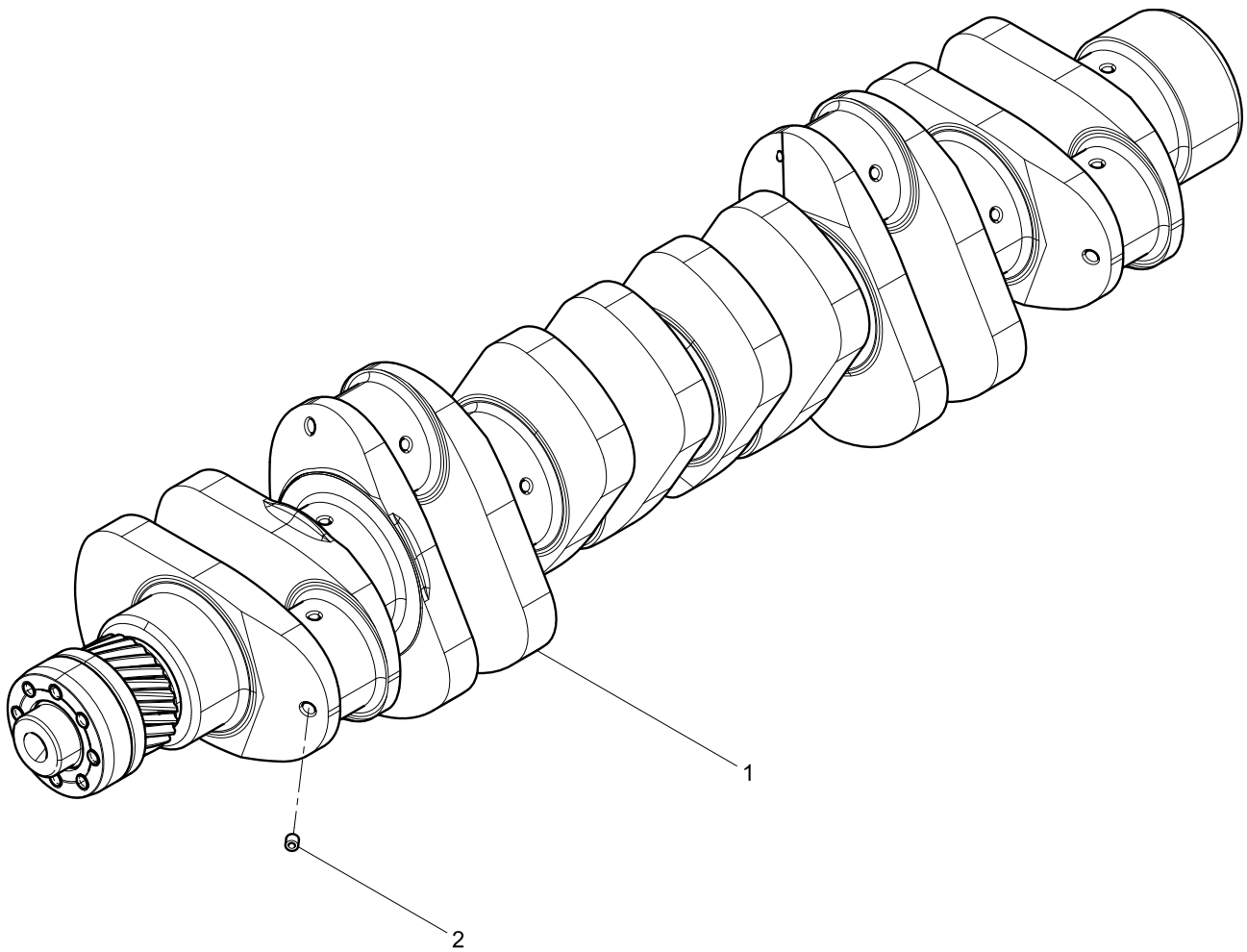
Front cover group



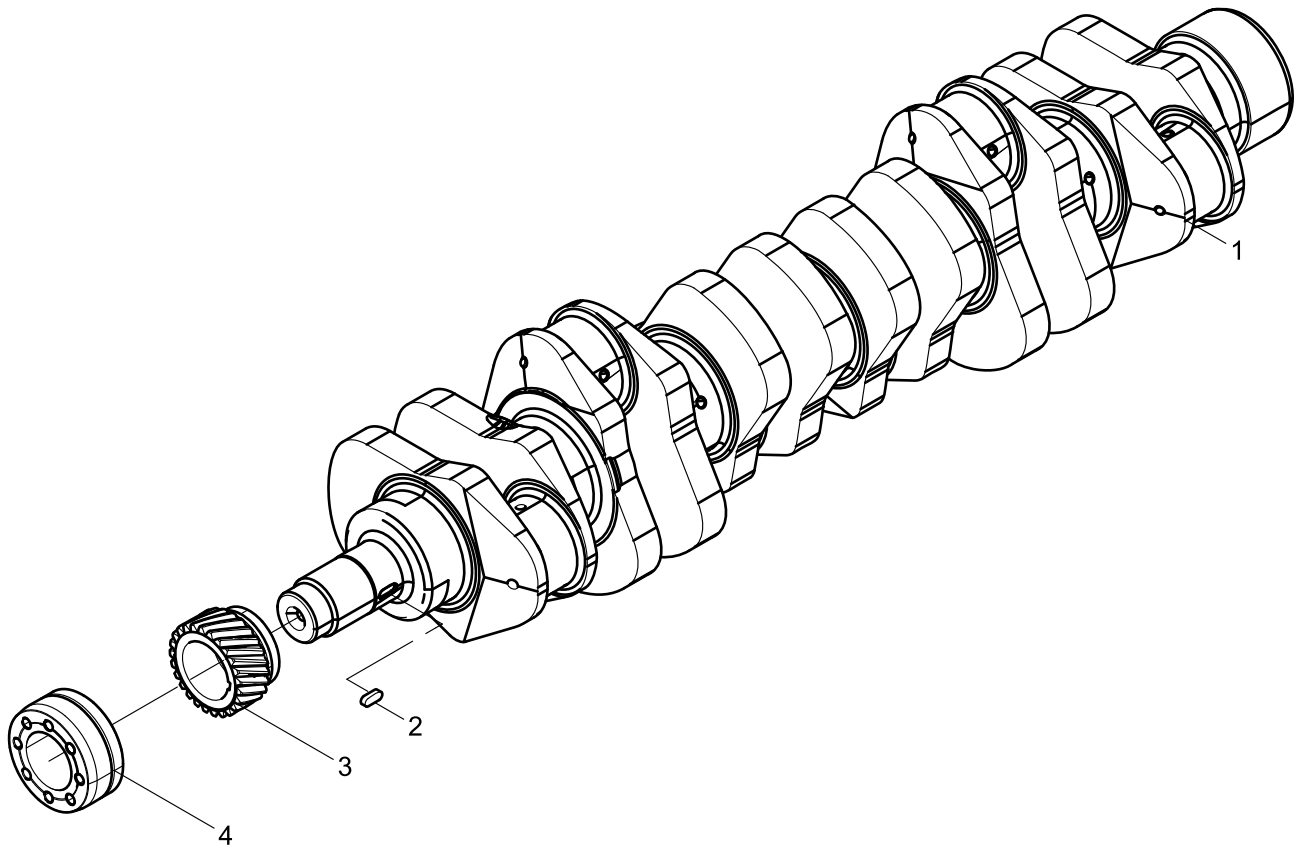
Crankshaft Group



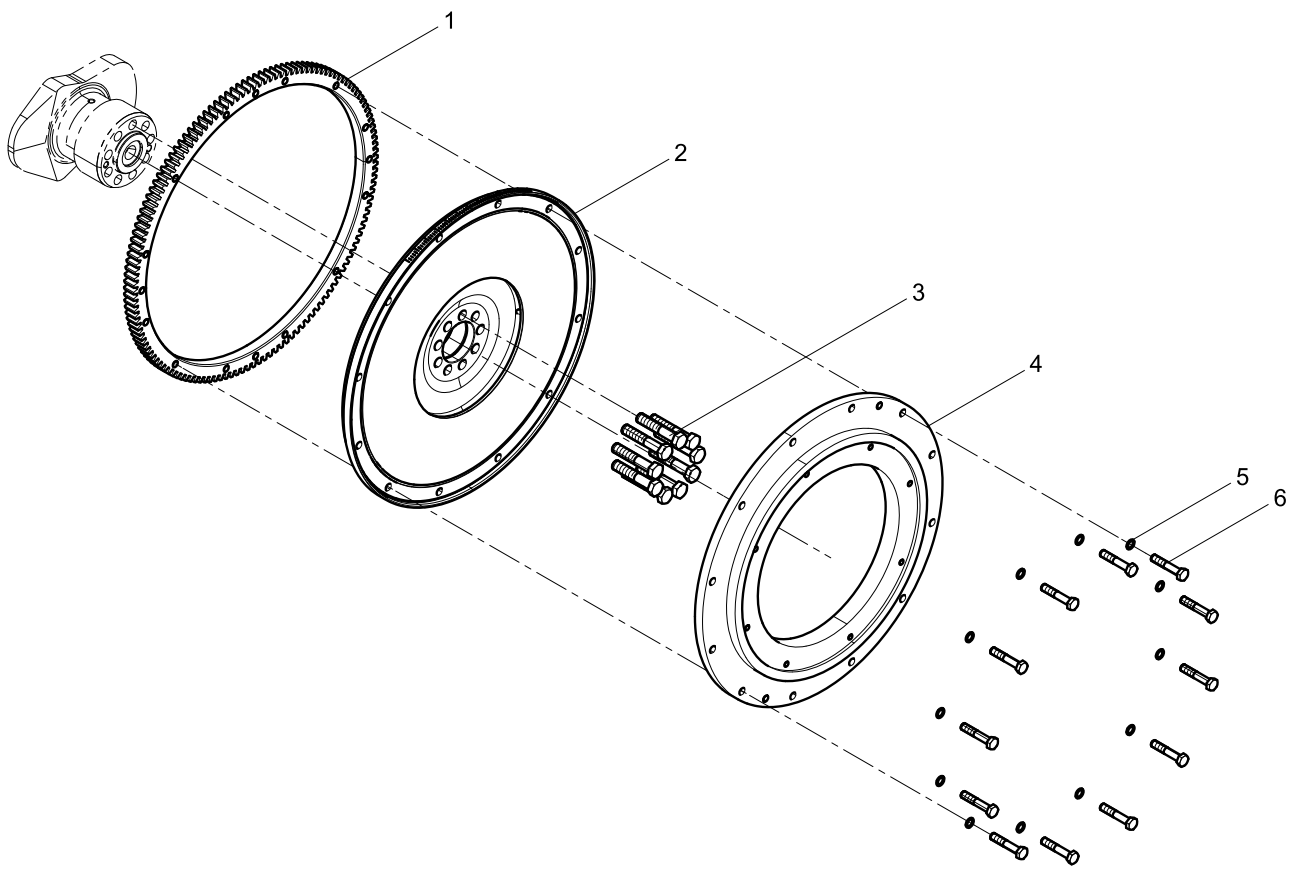
Crankshaft Assembly



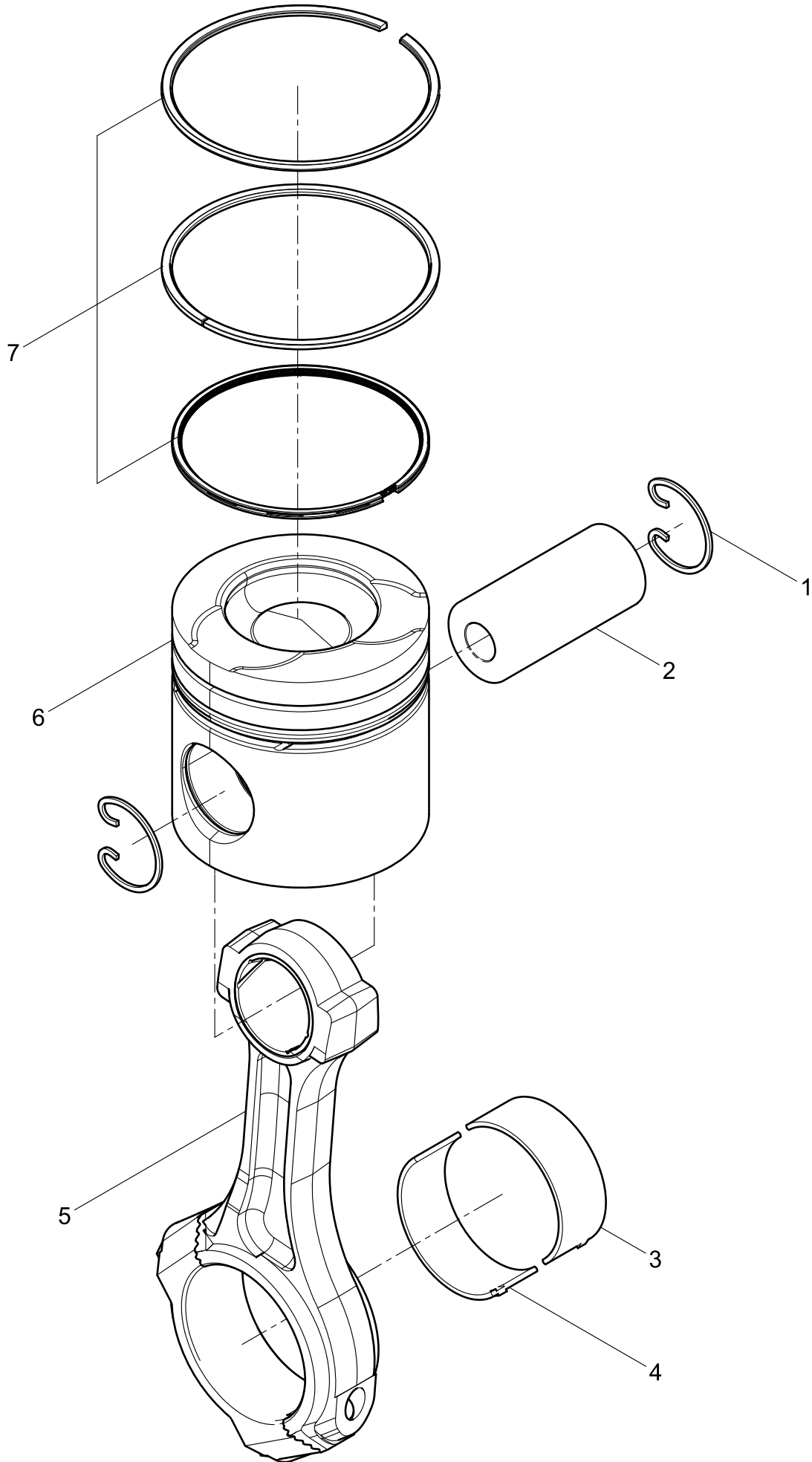
Crankshaft Subassembly



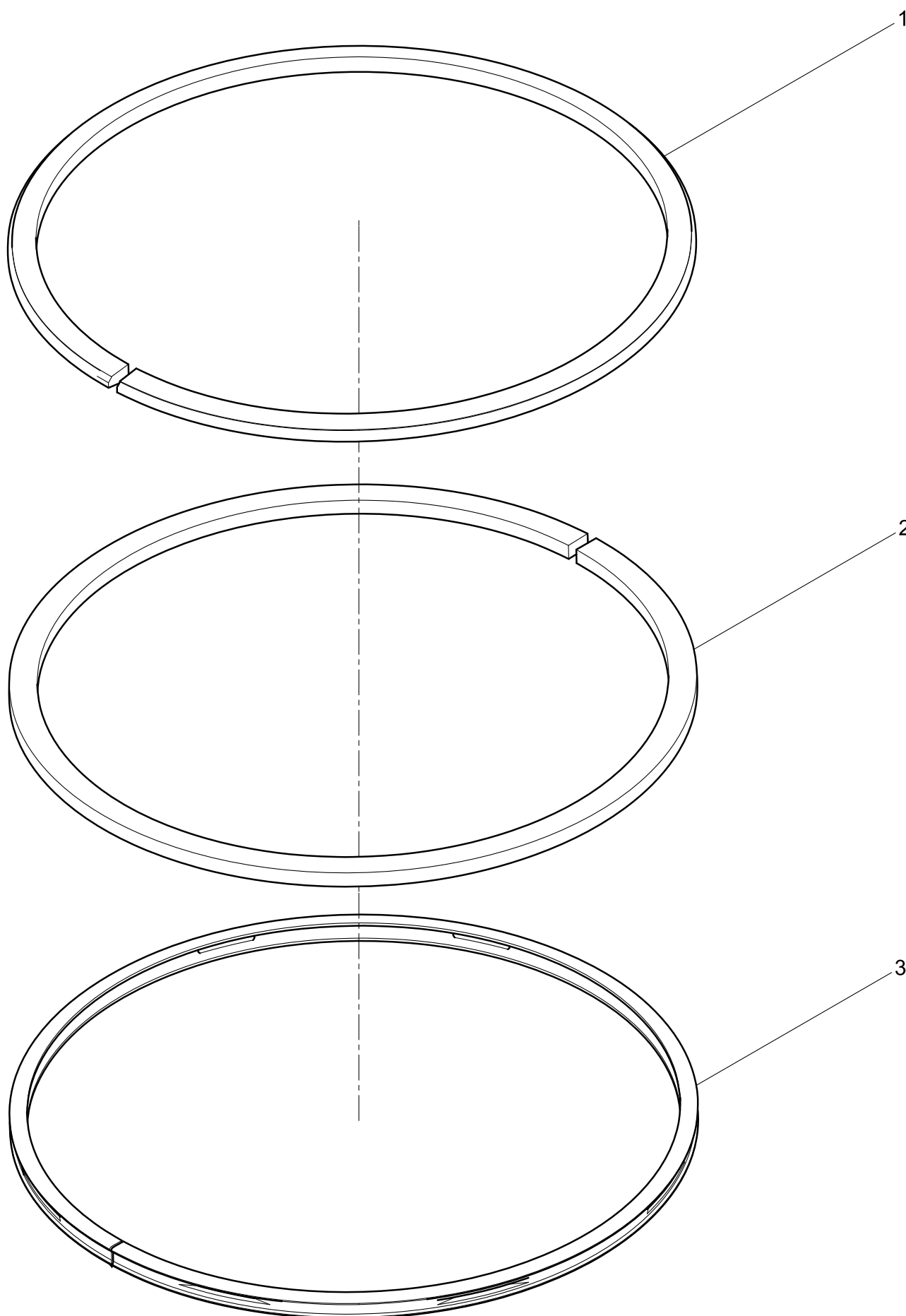
Flywheel Group



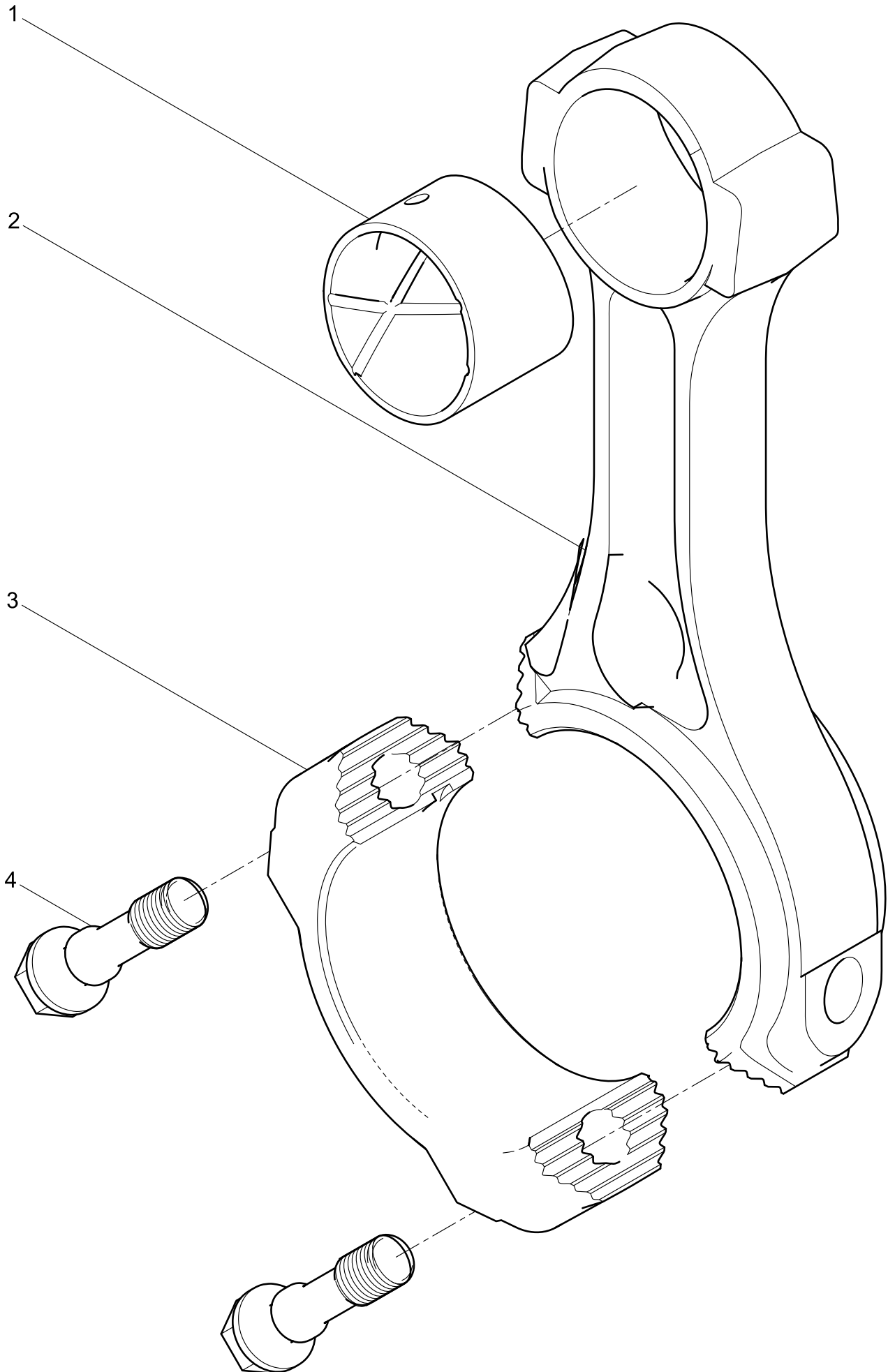
Piston and Connecting Rod Group



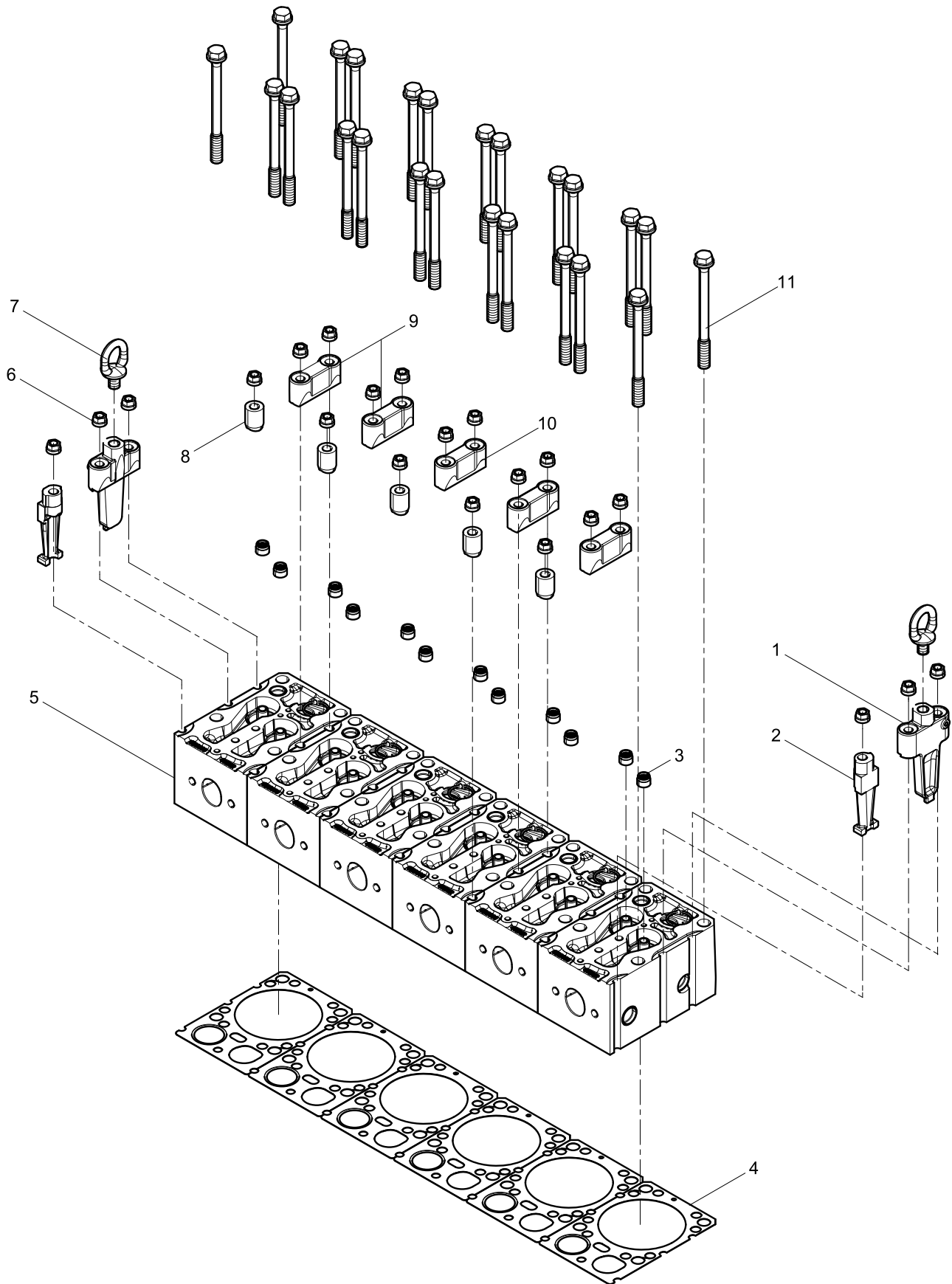
Piston Ring Set



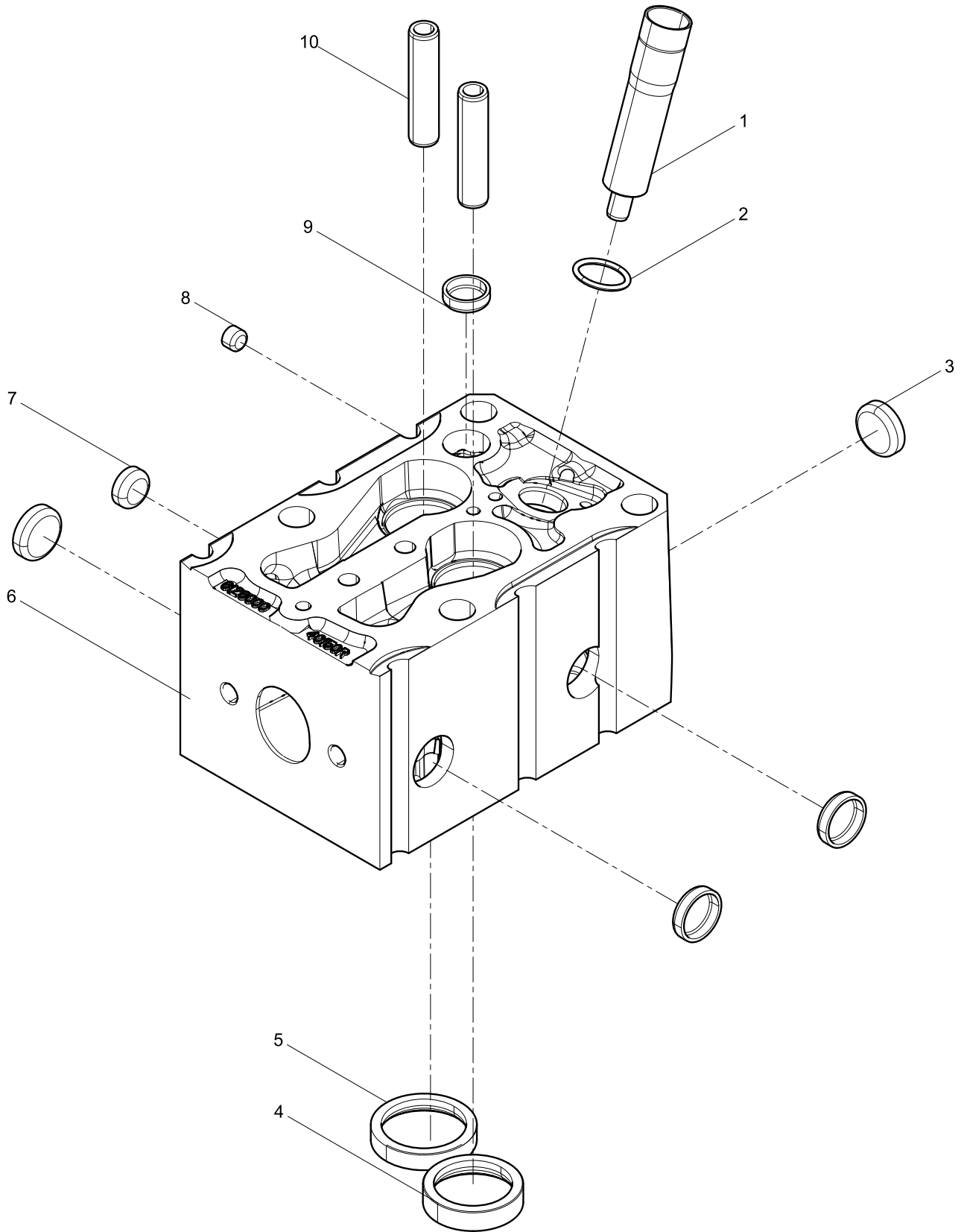
Connecting Rod Assembly



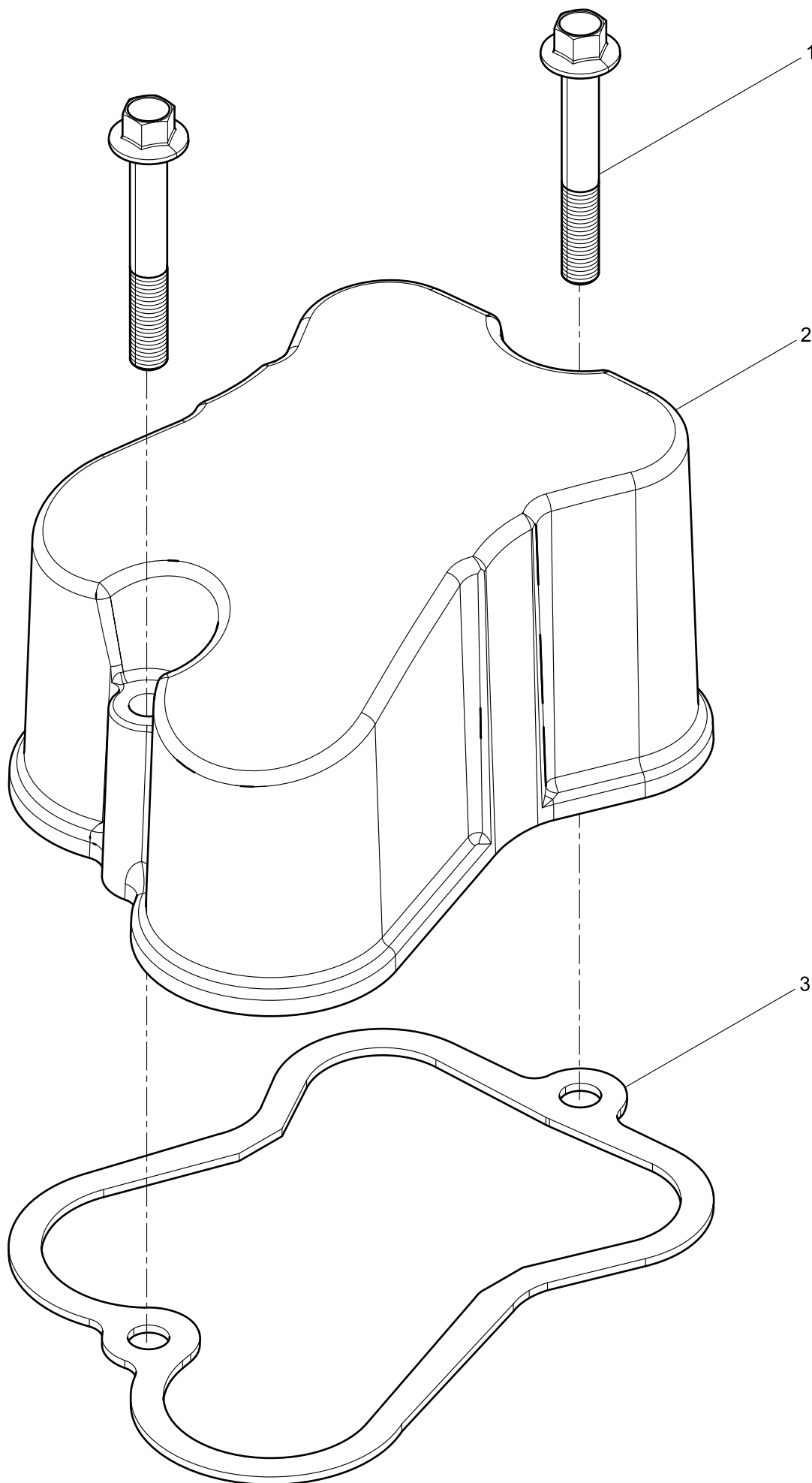
Cylinder Head Group



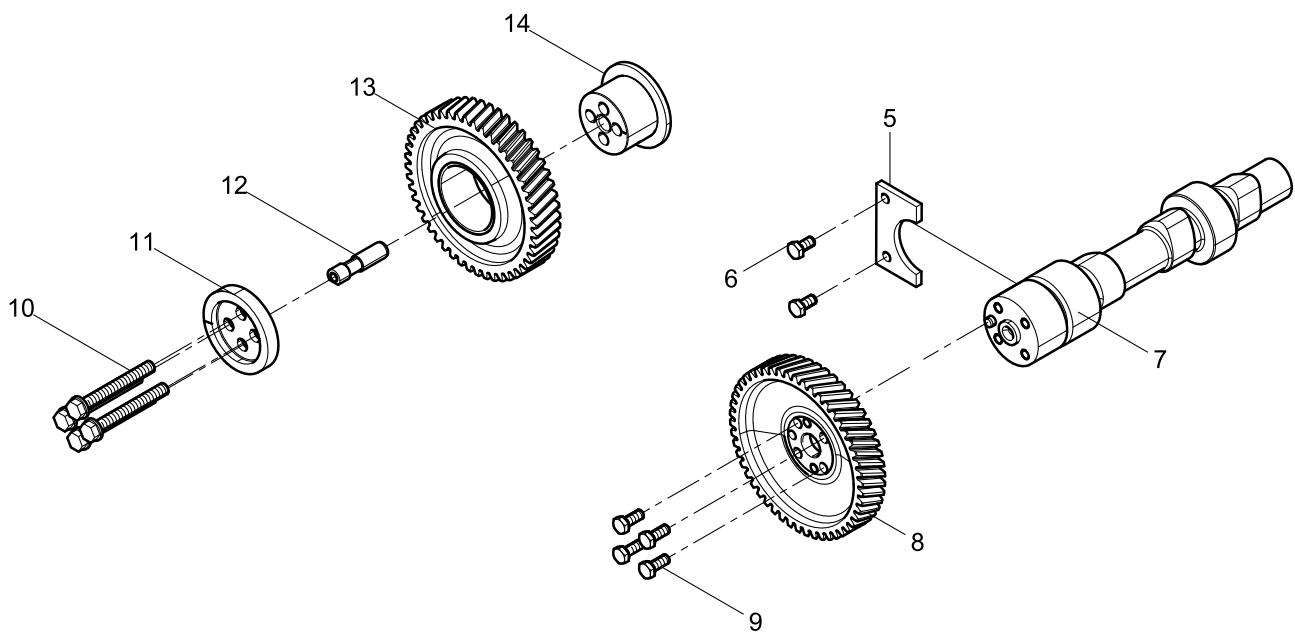
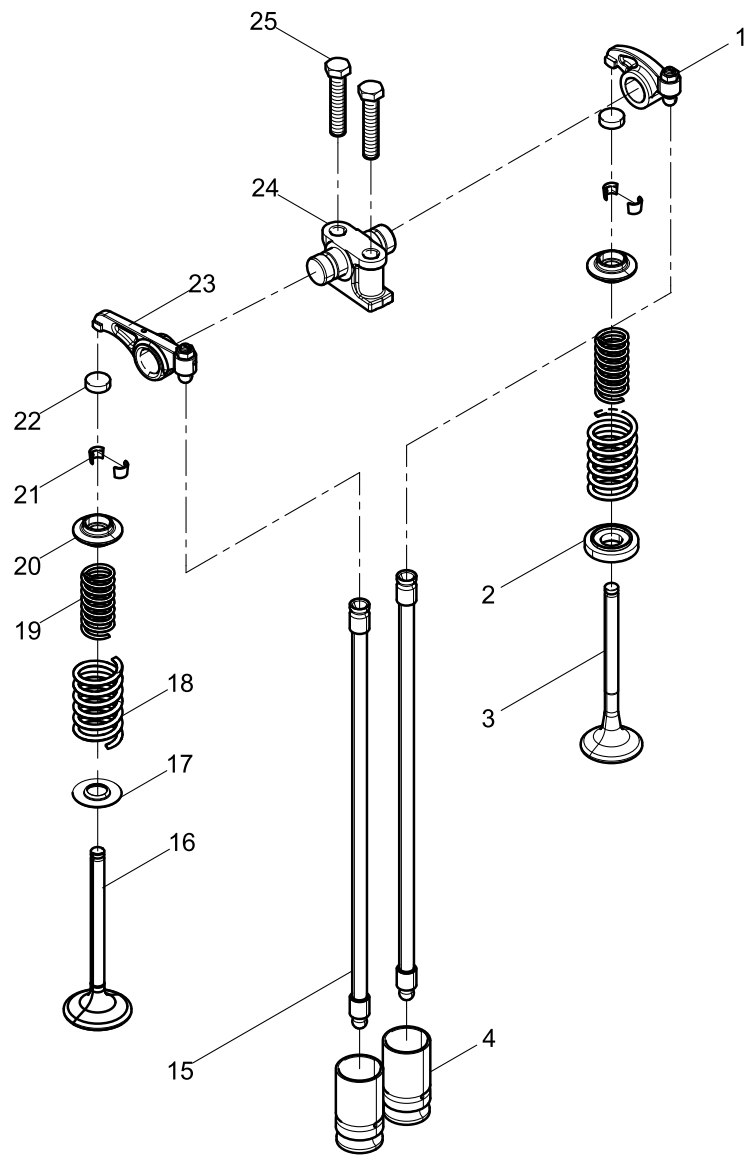
Cylinder Head Subassembly



Cylinder Head Cover Group



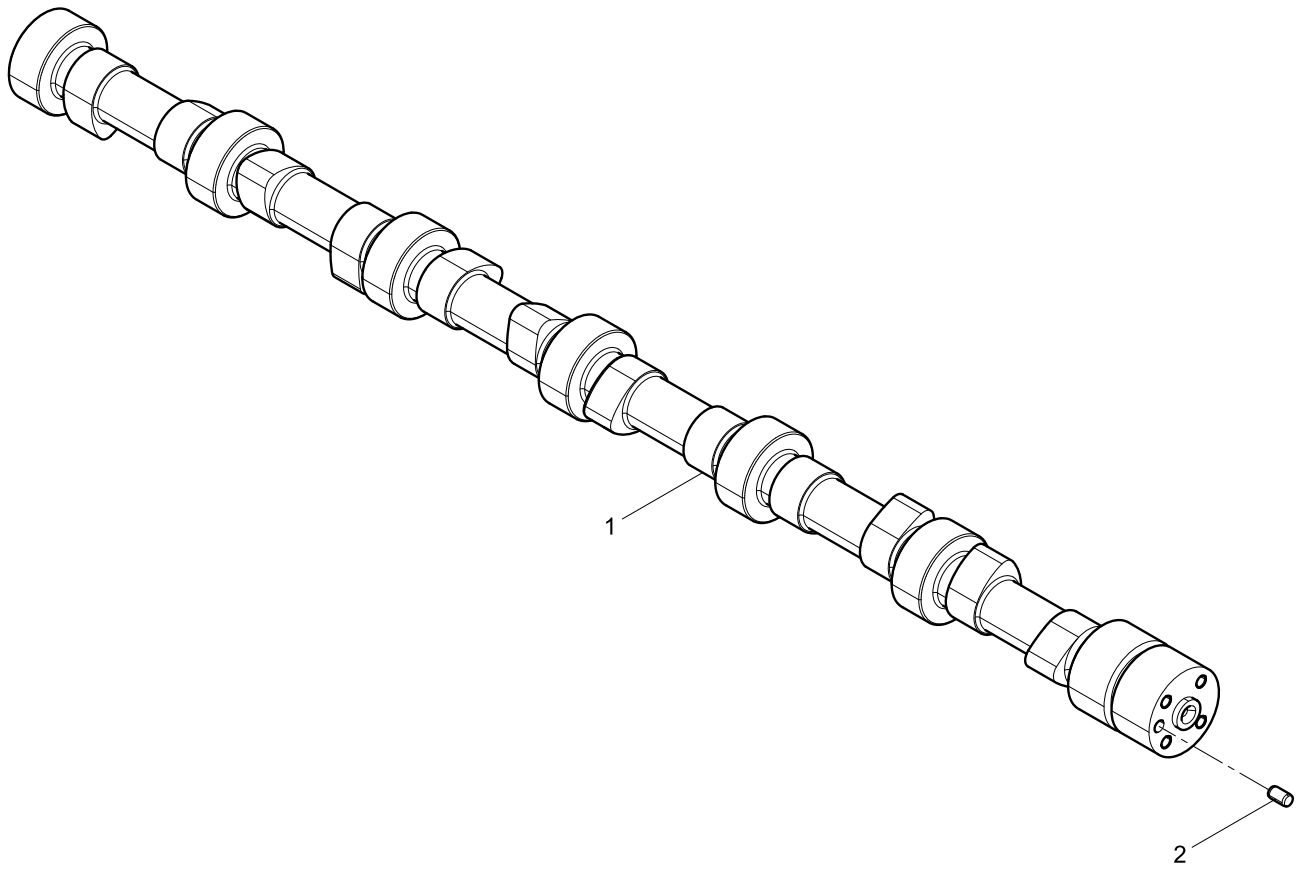
Valve Train Group



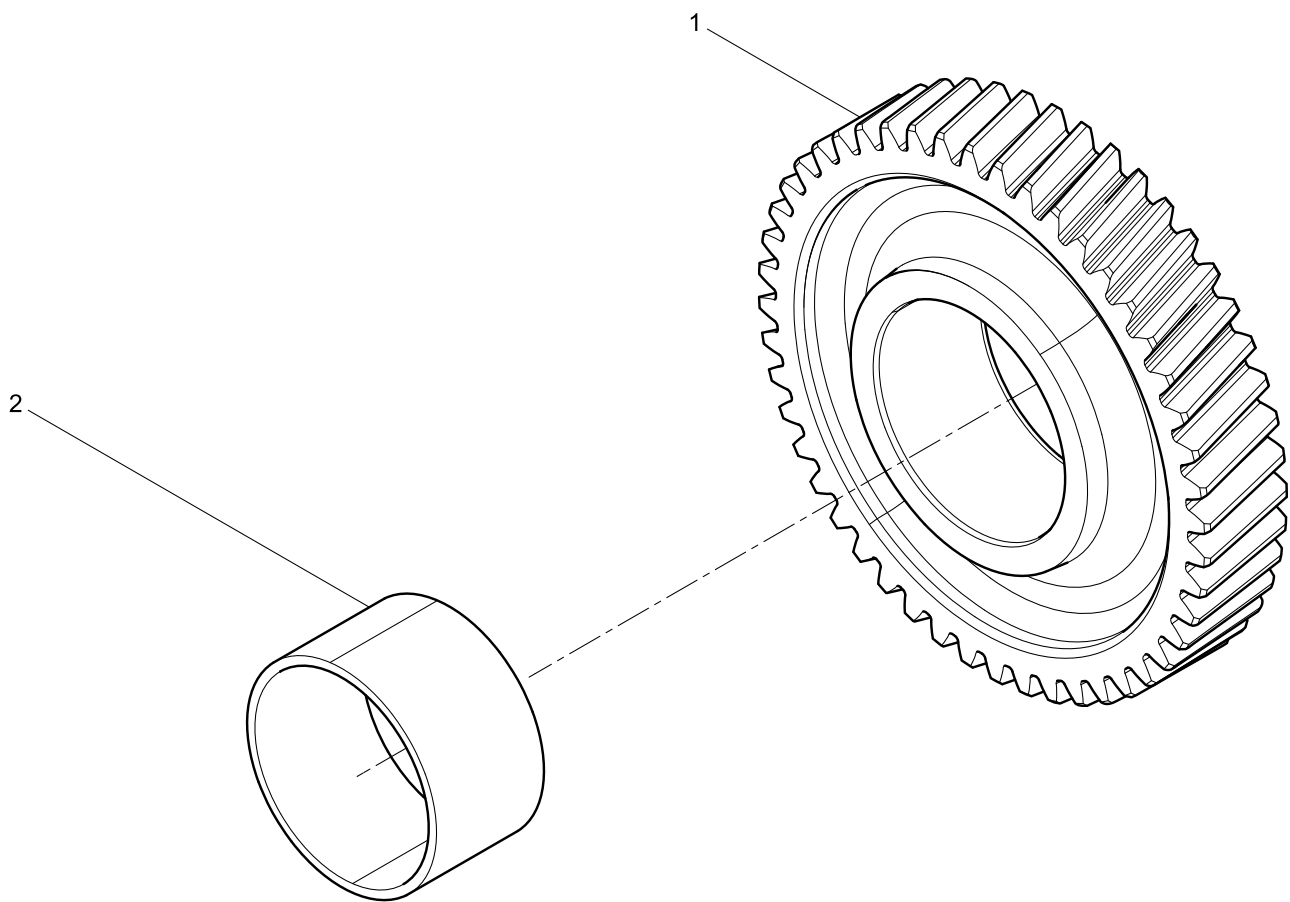
Valve Train Group

| Pos. | Teile.Number | Amount | Designation |
|------|---------------|--------|--------------------------------------|
| 1 | 612600050178 | 6 | Exhaust Rocker Arm Set |
| 2 | 61500040014 | 6 | Exhaust Valve Spring Bottom Retainer |
| 3 | 612600050025 | 6 | Exhaust Valve |
| 4 | 61500050032 | 12 | Tappet |
| 5 | 614050133 | 1 | Camshaft Thrust Plate |
| 6 | 90003802399S | 2 | Hexagon Head Bolt |
| 7 | 612600050085 | 1 | Camshaft Assembly |
| 8 | 614050053 | 1 | Camshaft Timing Gear |
| 9 | 612600050145S | 4 | Hexagon Head Bolt |
| 10 | 61560050059S | 4 | Hexagon Head Bolt |
| 11 | 61560050045 | 1 | Gasket |
| 12 | 61560050058 | 1 | Idler Gear Shaft |
| 13 | 61560050053 | 1 | Idler Gear Assembly |
| 14 | 61560050044 | 1 | Idler Gear Shaft |
| 15 | 612600050272 | 12 | Push Rod |
| 16 | 612600050073 | 6 | Intake Valve |
| 17 | 614050017 | 6 | Intake Valve Spring Bottom Retainer |
| 18 | 61500050002 | 12 | Outer Valve Spring |
| 19 | 61500050001 | 12 | Inner Valve Spring |
| 20 | 61500050109 | 12 | Valve Spring Top Retainer |
| 21 | 61500050025 | 24 | Valve Collet |
| 22 | 61500050105 | 12 | Valve cap |
| 23 | 612600050177 | 6 | Intake Rocker Arm Assembly |
| 24 | 614050119 | 6 | Rocker Arm Bracket Assembly |
| 25 | 90003802655 | 12 | Hexagon Head Bolt |
| | | | |
| | | | |

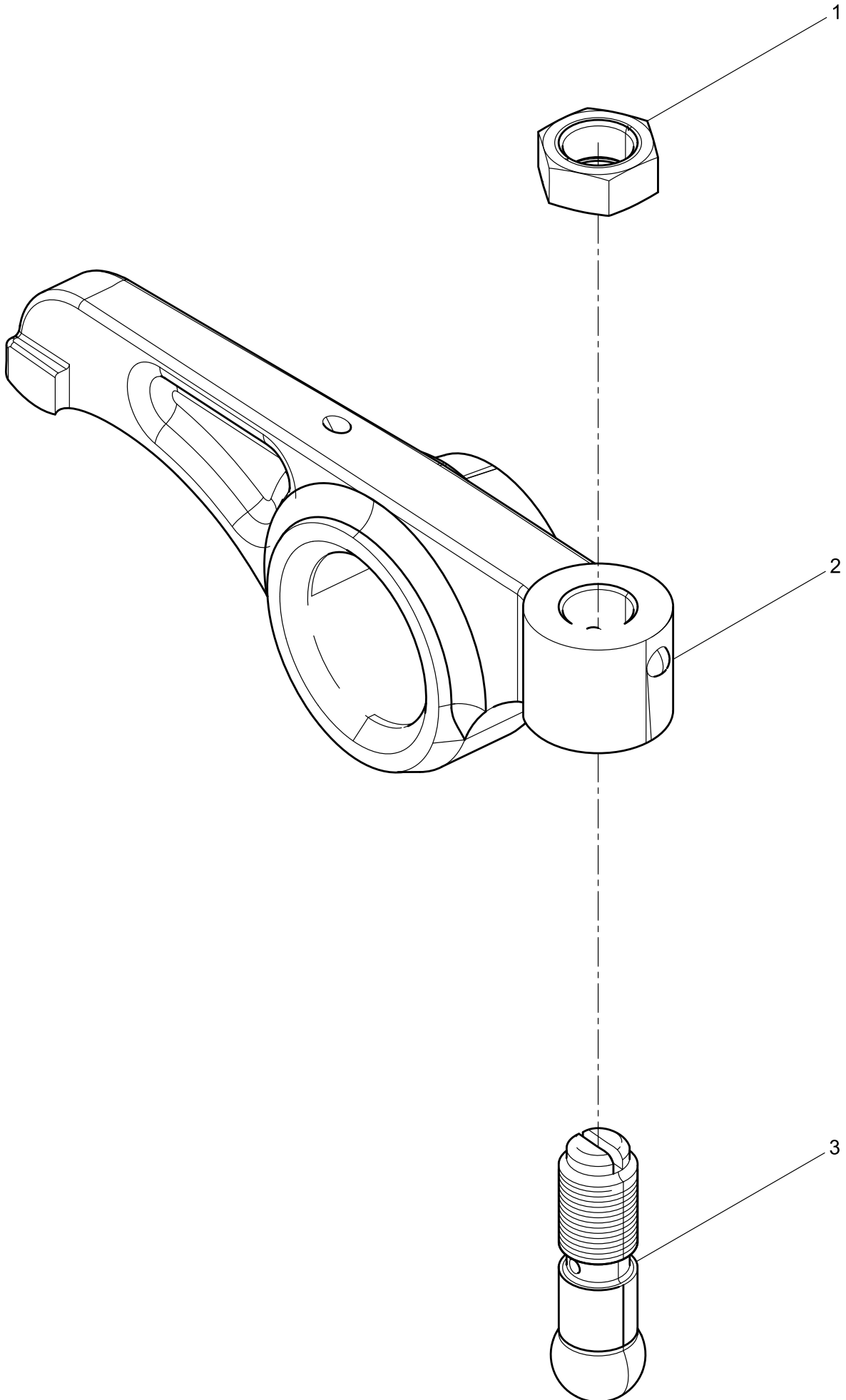
Camshaft Assembly



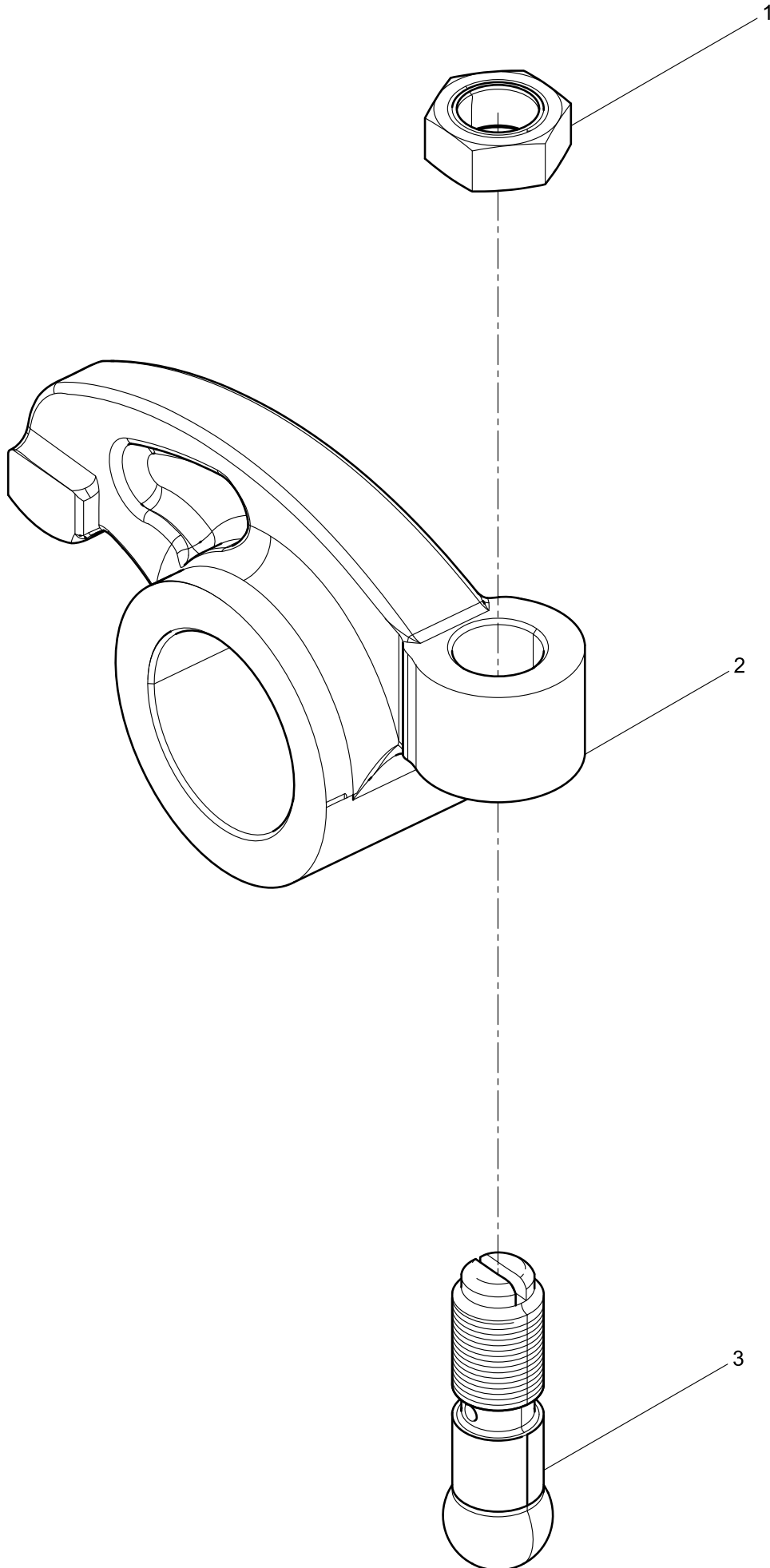
Idler Gear Assembly



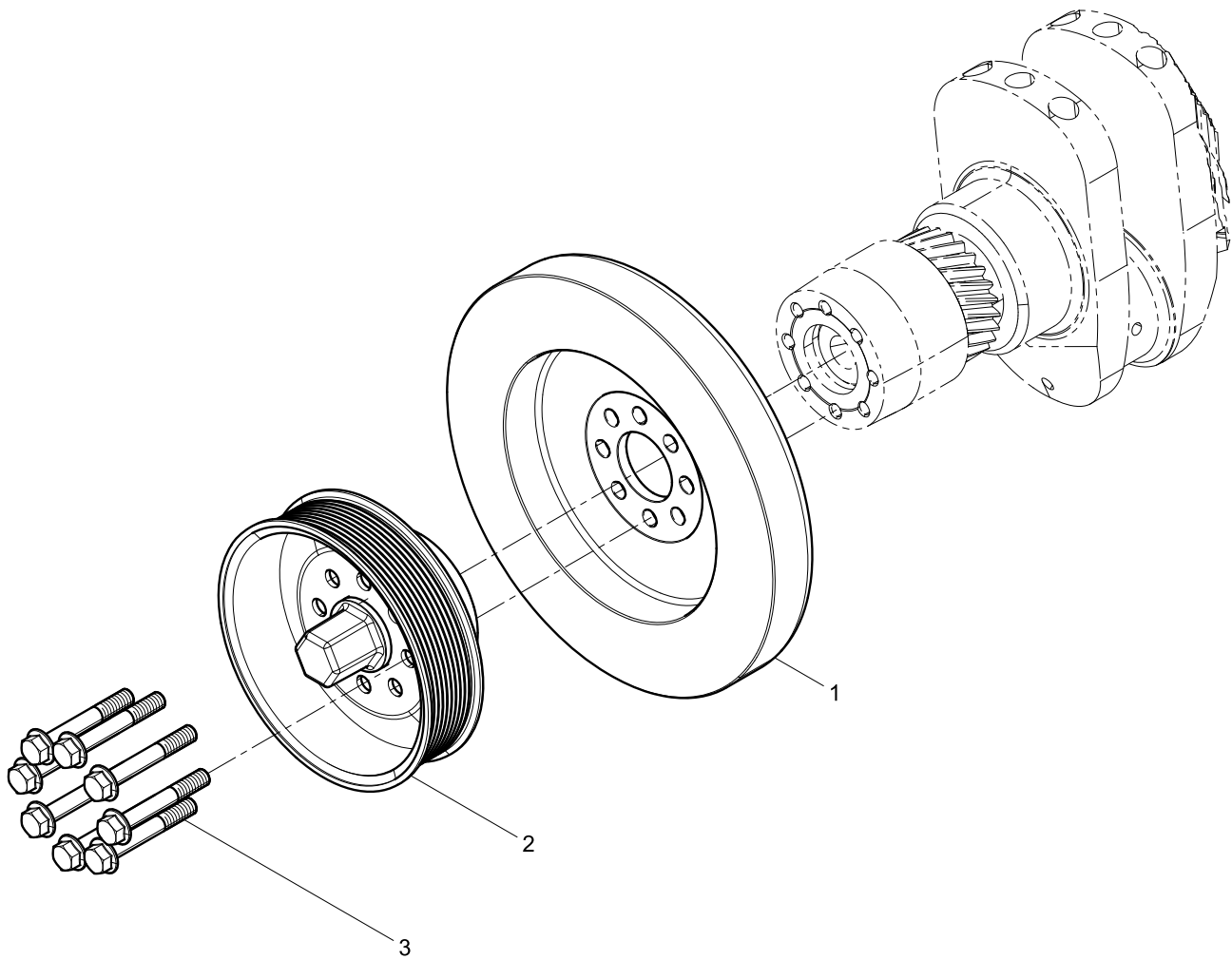
Intake Rocker Arm Assembly



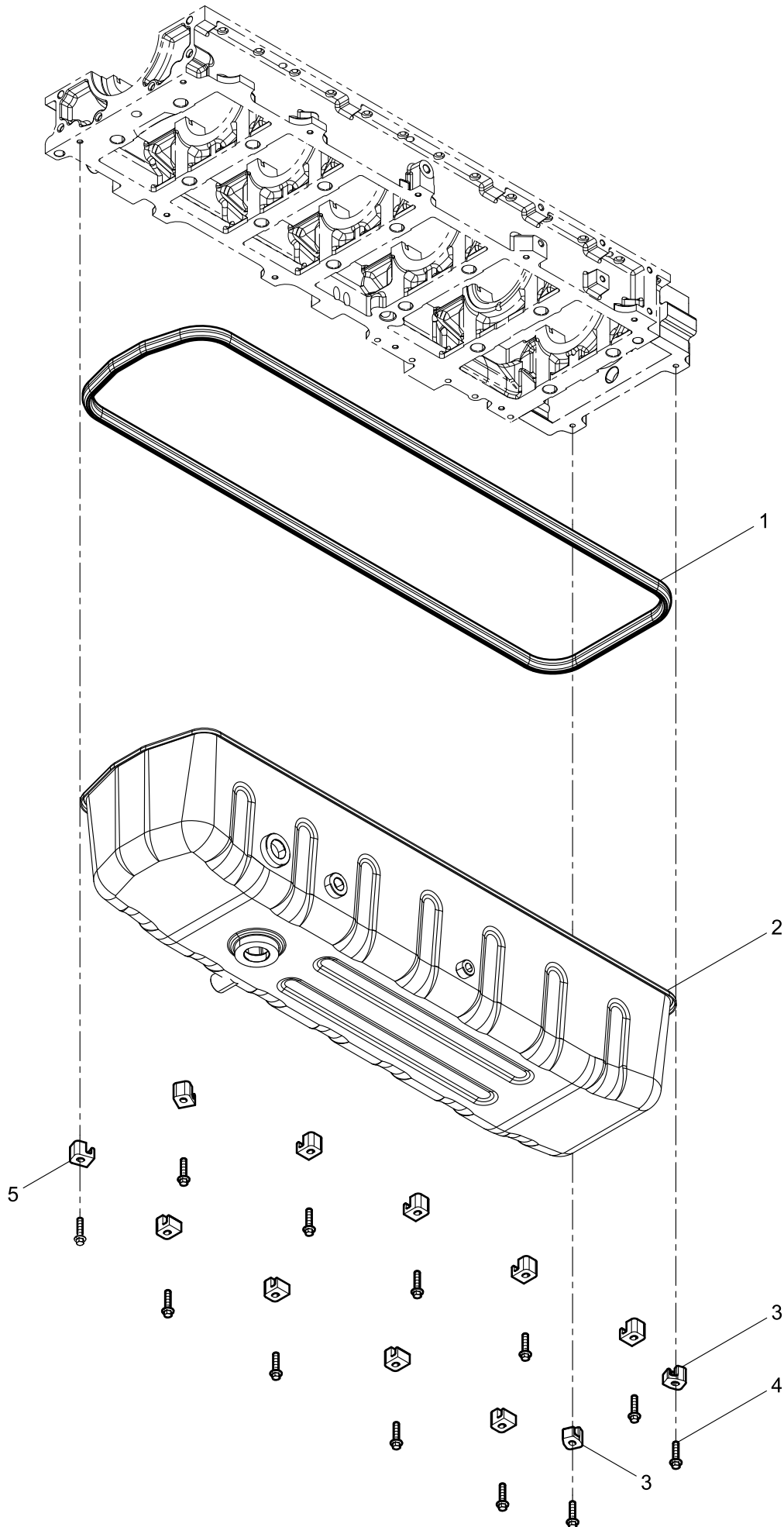
Exhaust Rocker Arm Set



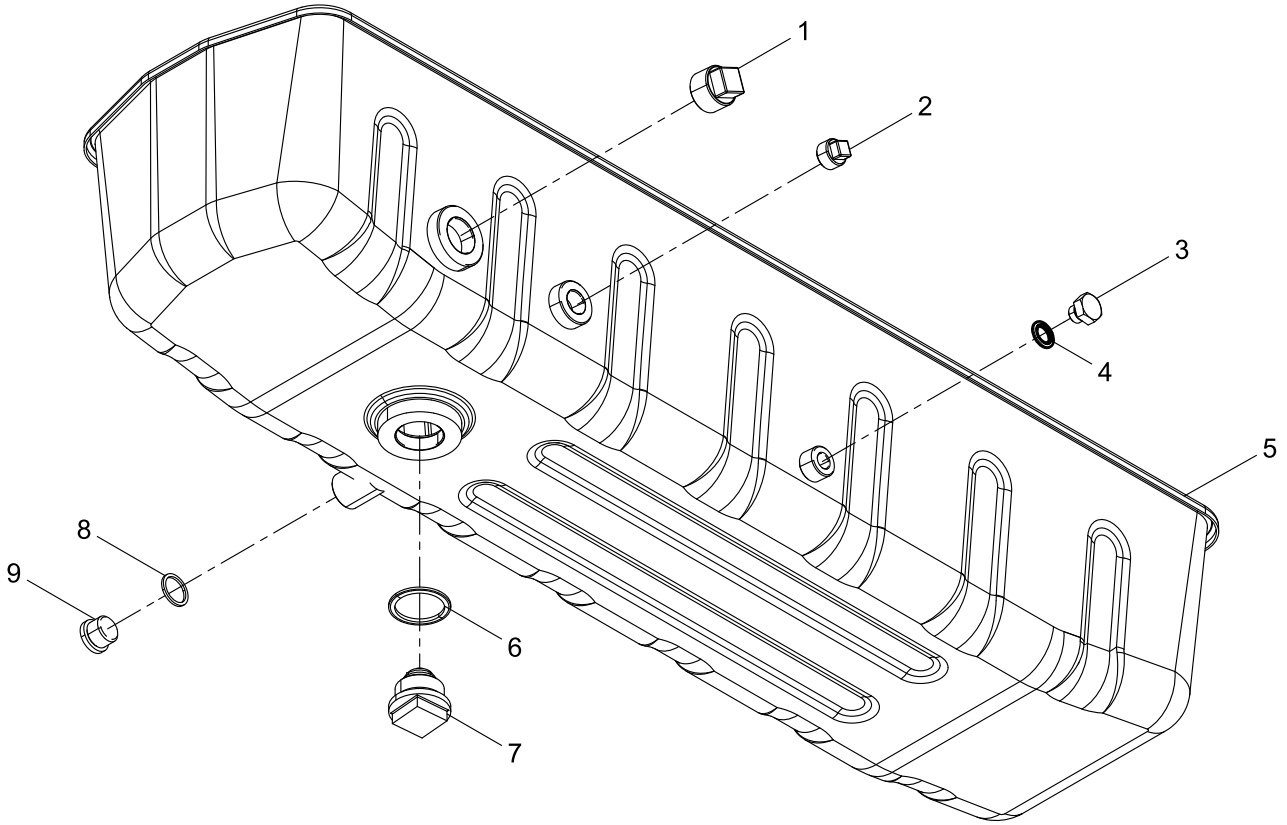
Crankshaft Pulley Group



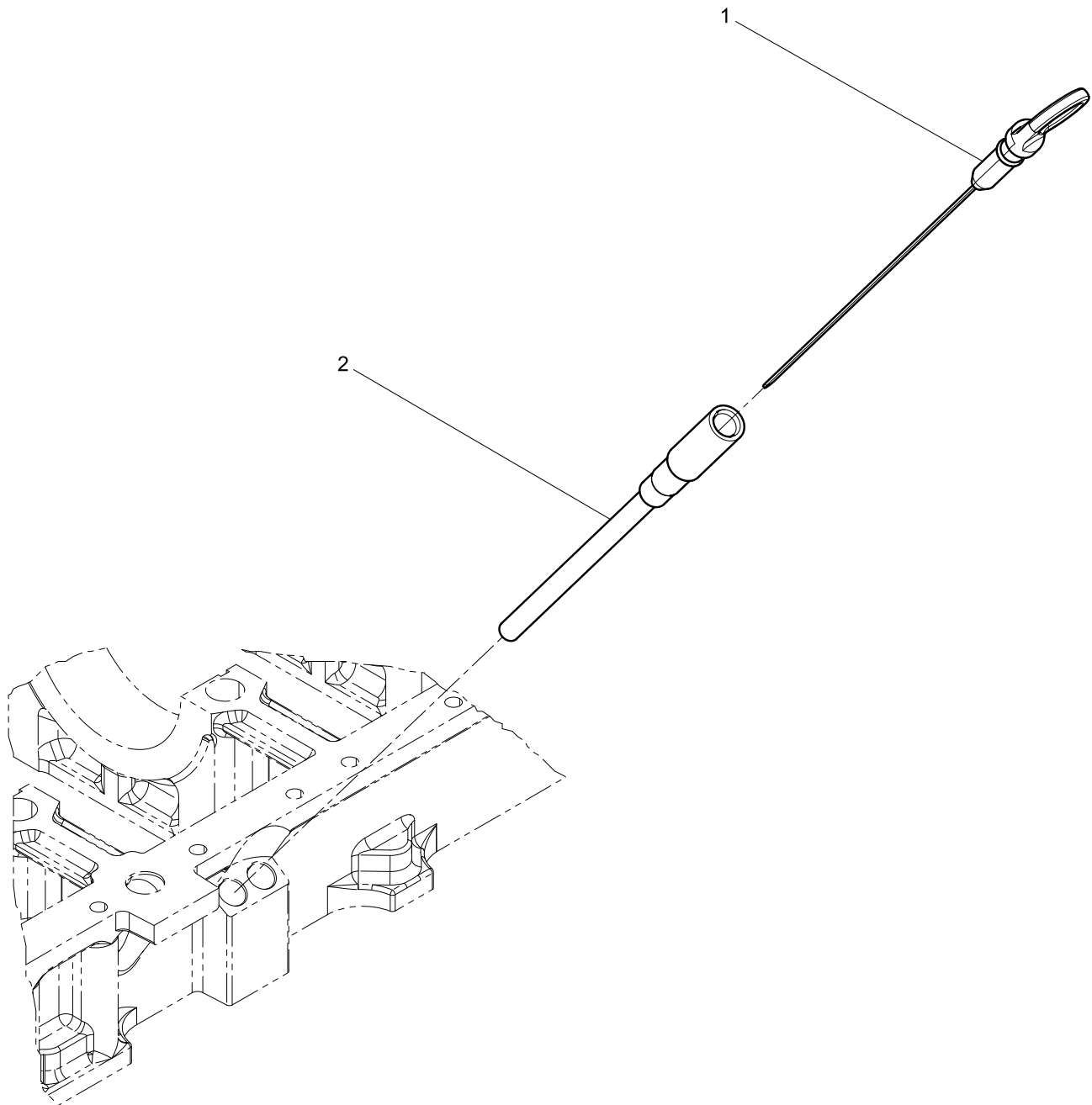
Oil Pan



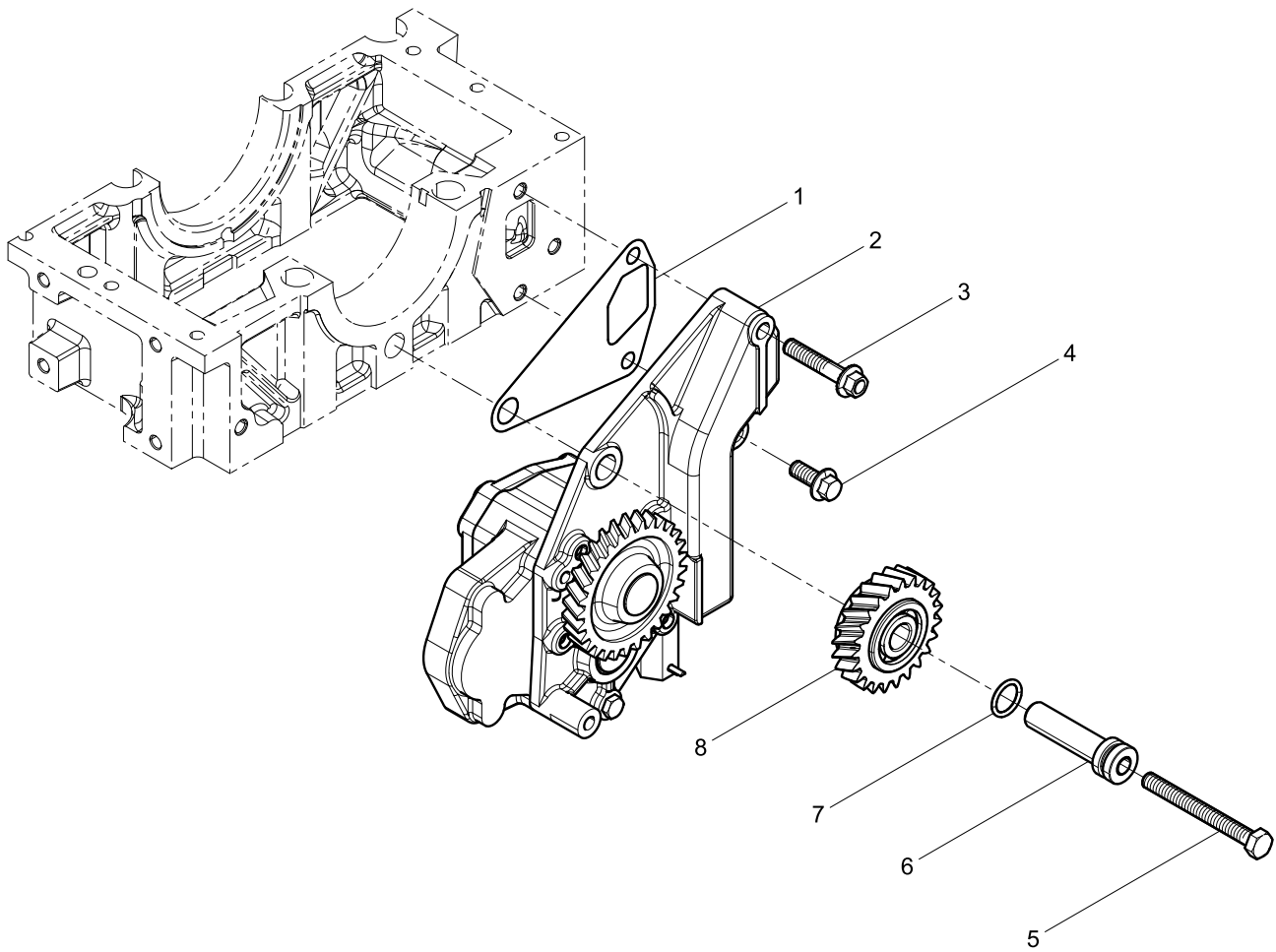
Oil Pan Assembly



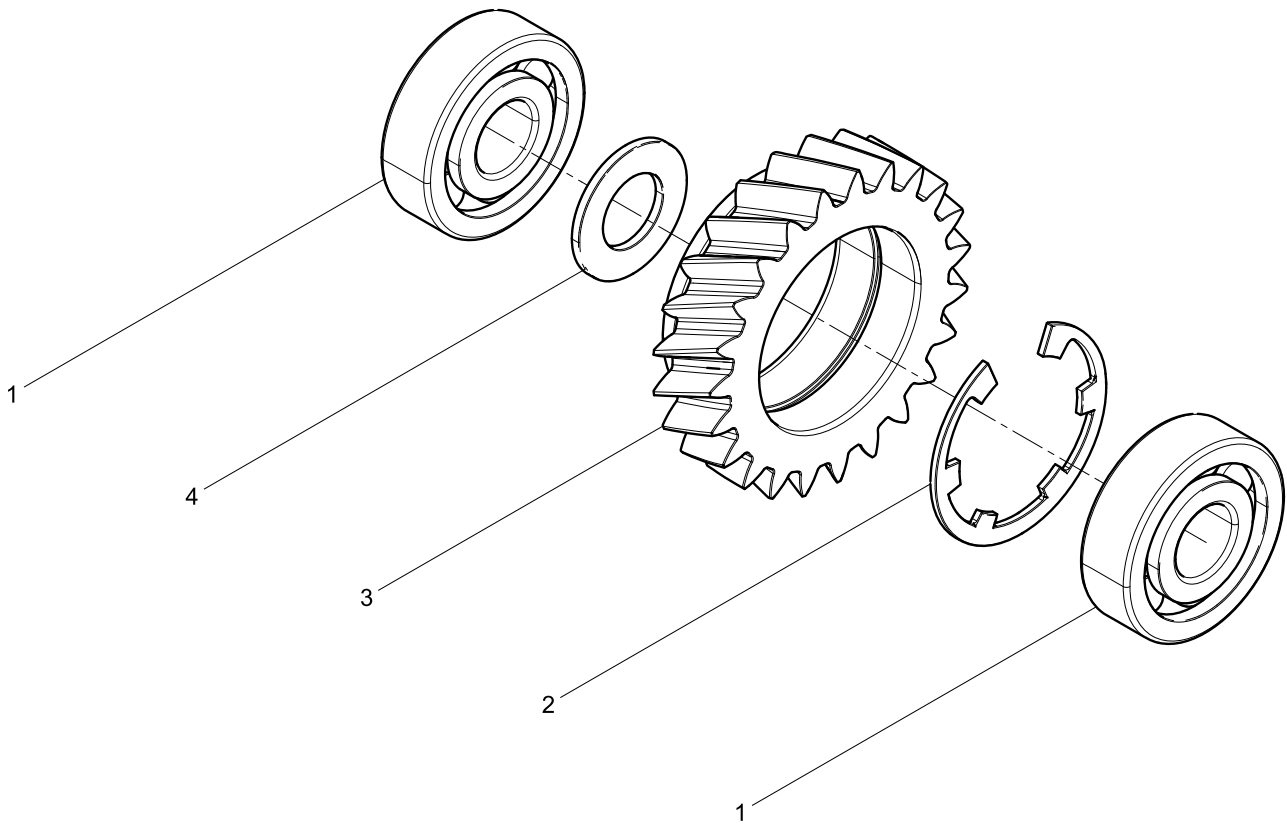
Dipstick Group



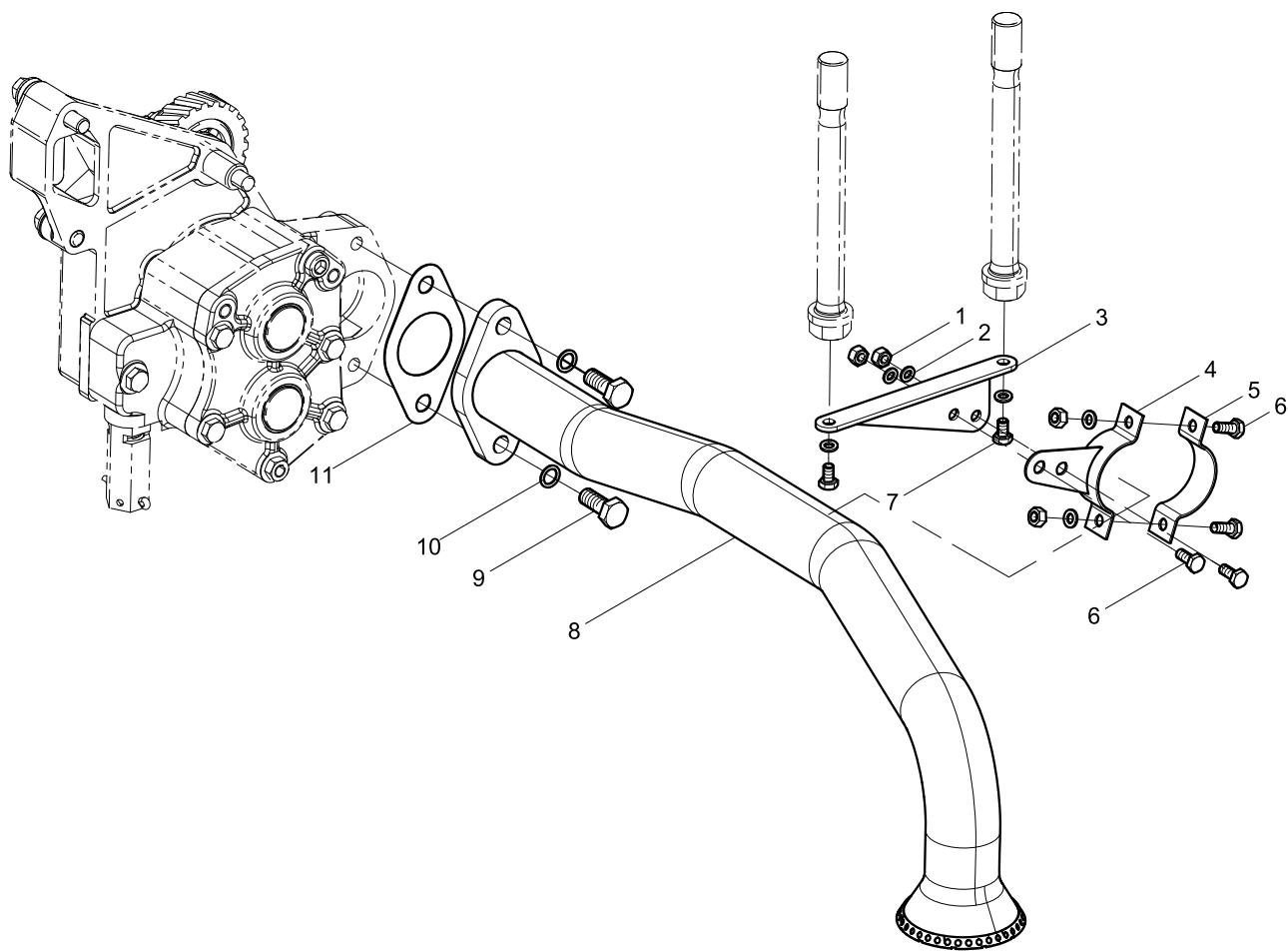
Oil Pump Group



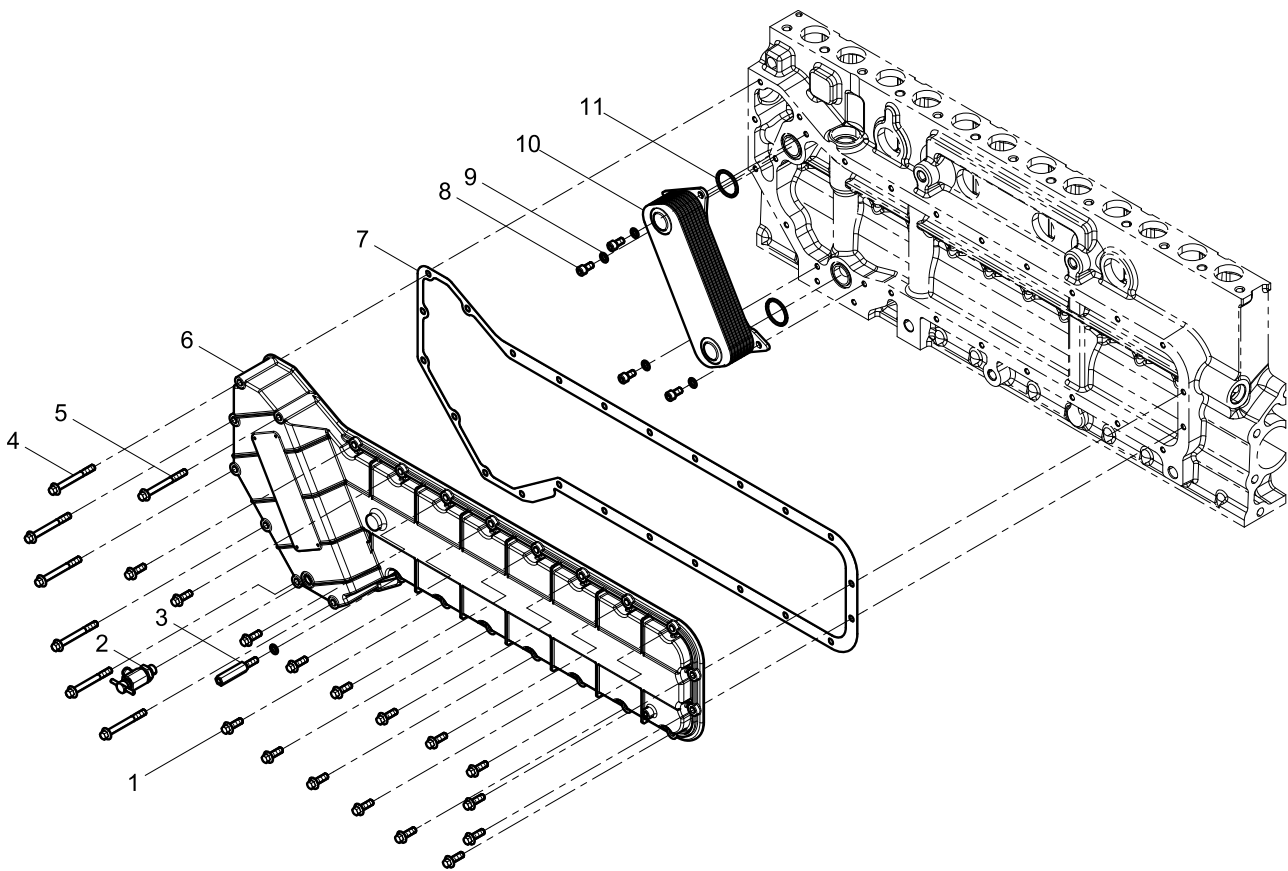
Oil Pump Idle Gear Set



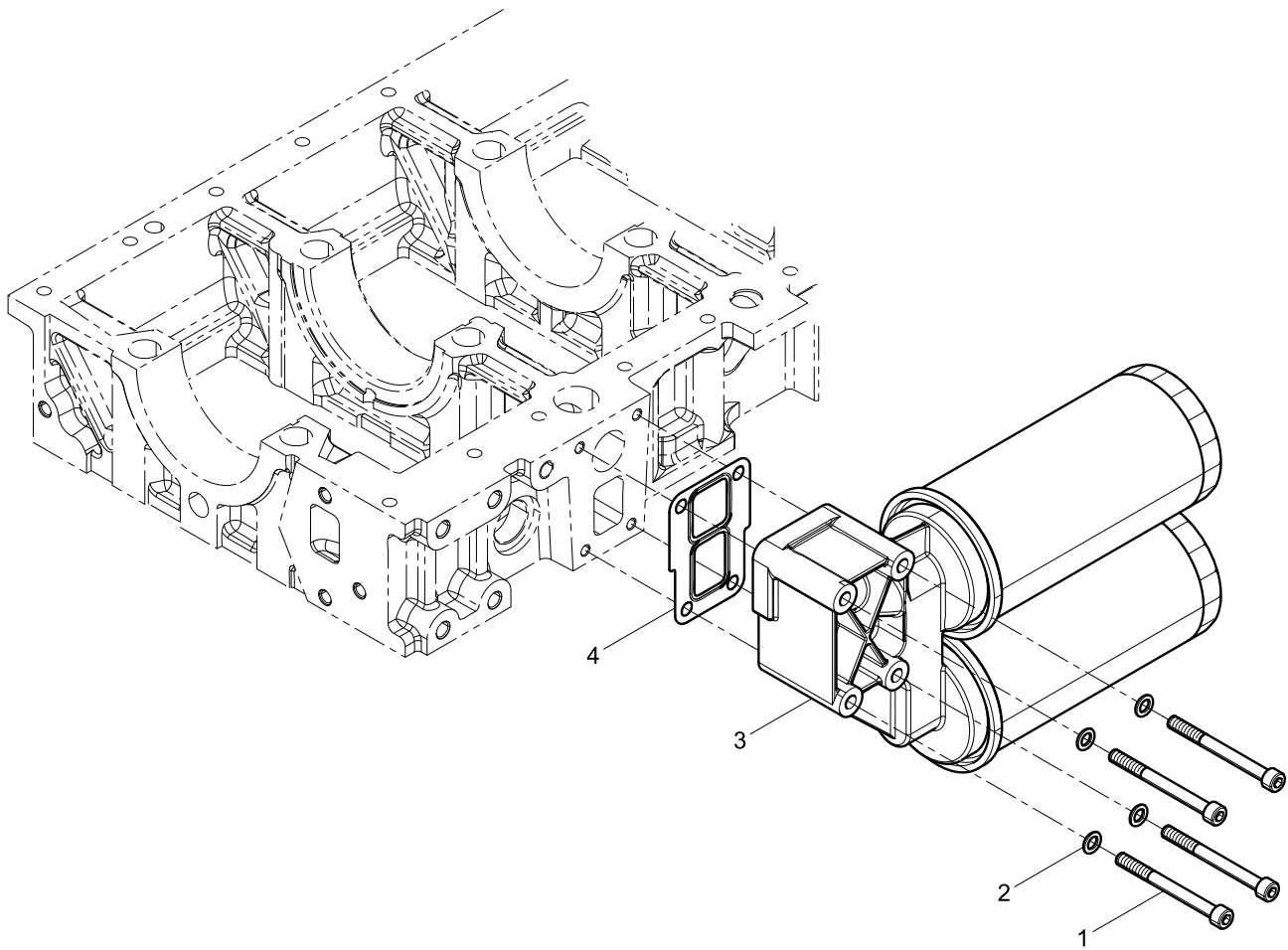
Oil Strainer Group



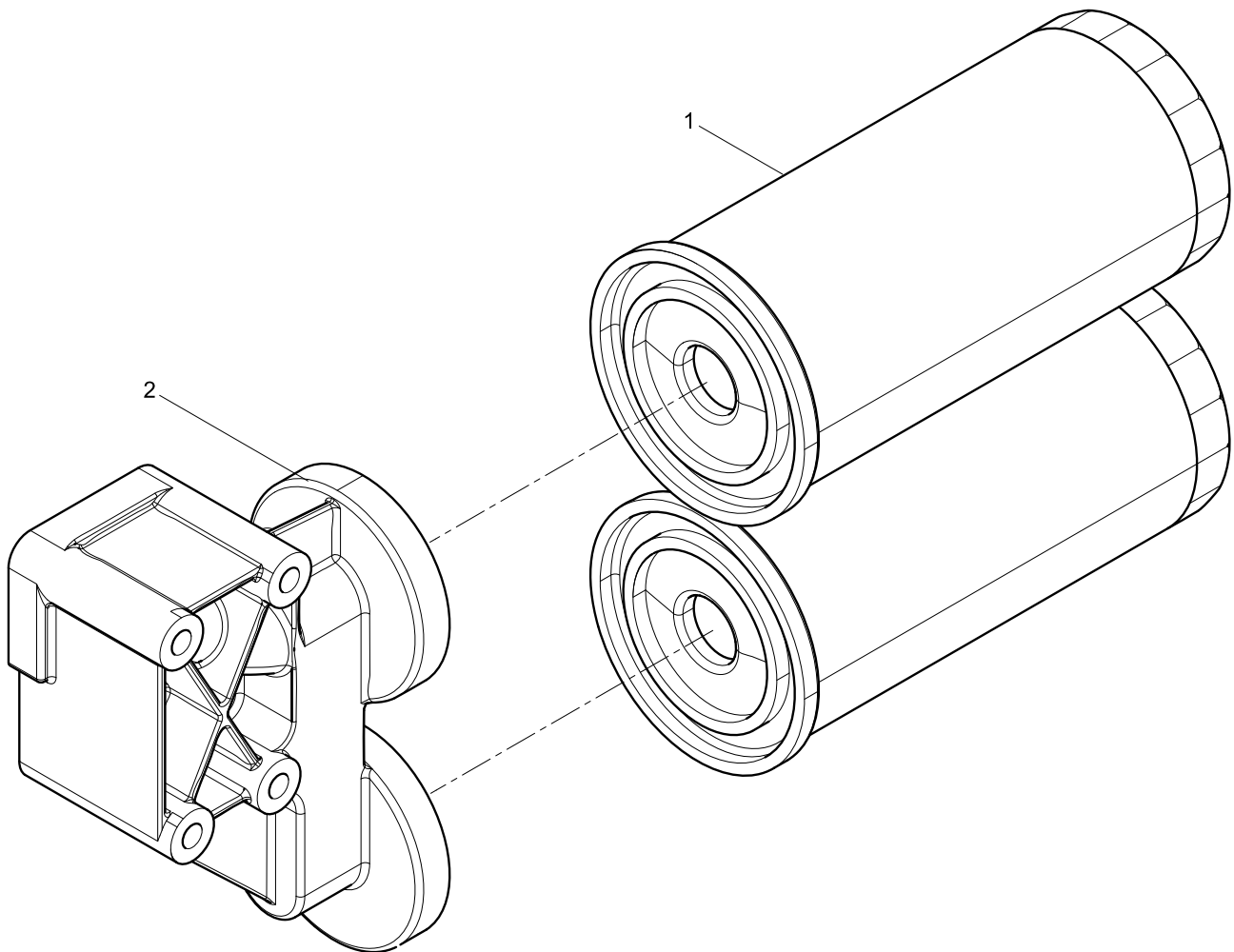
Oil Cooler Group



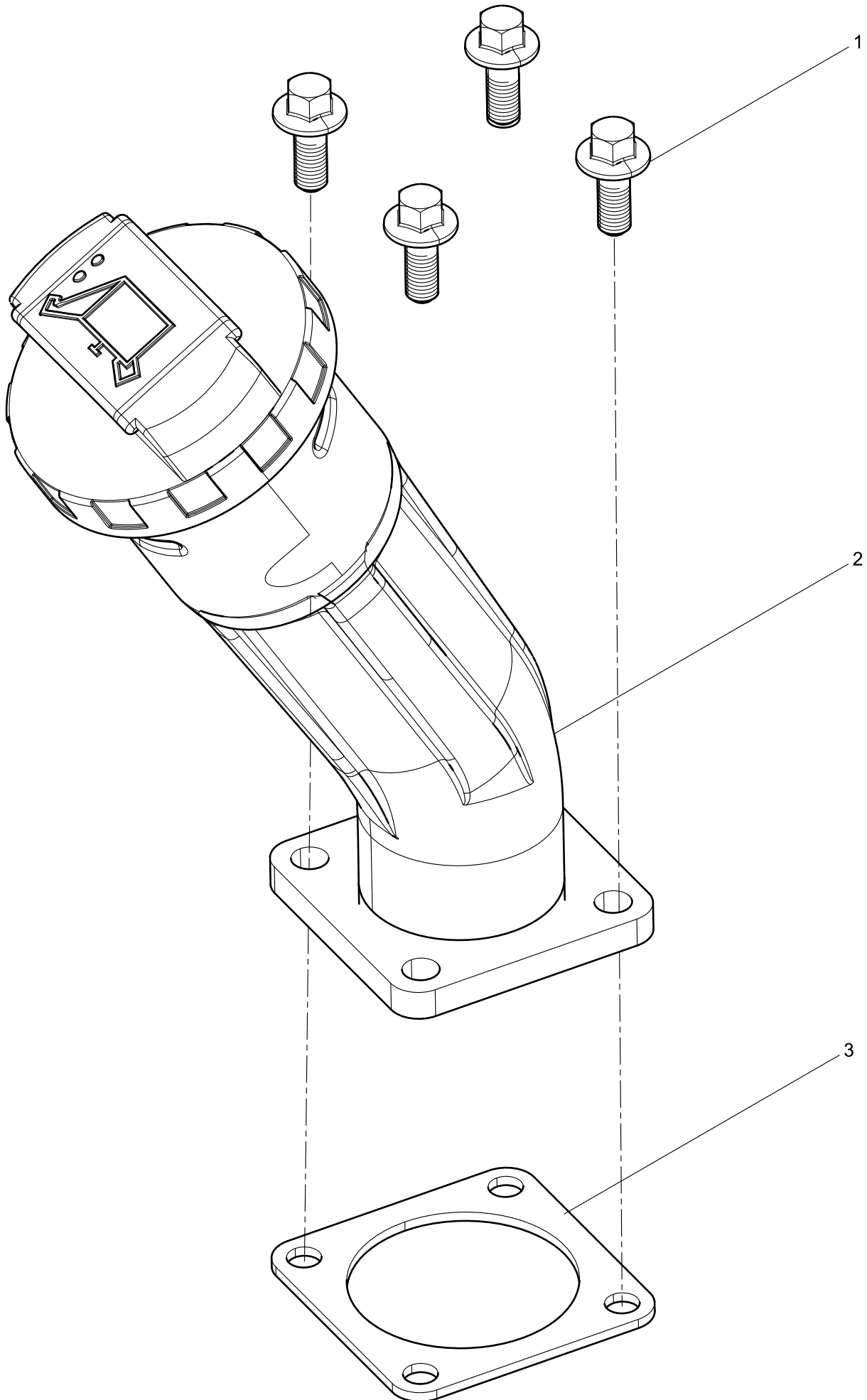
Oil Filter Group



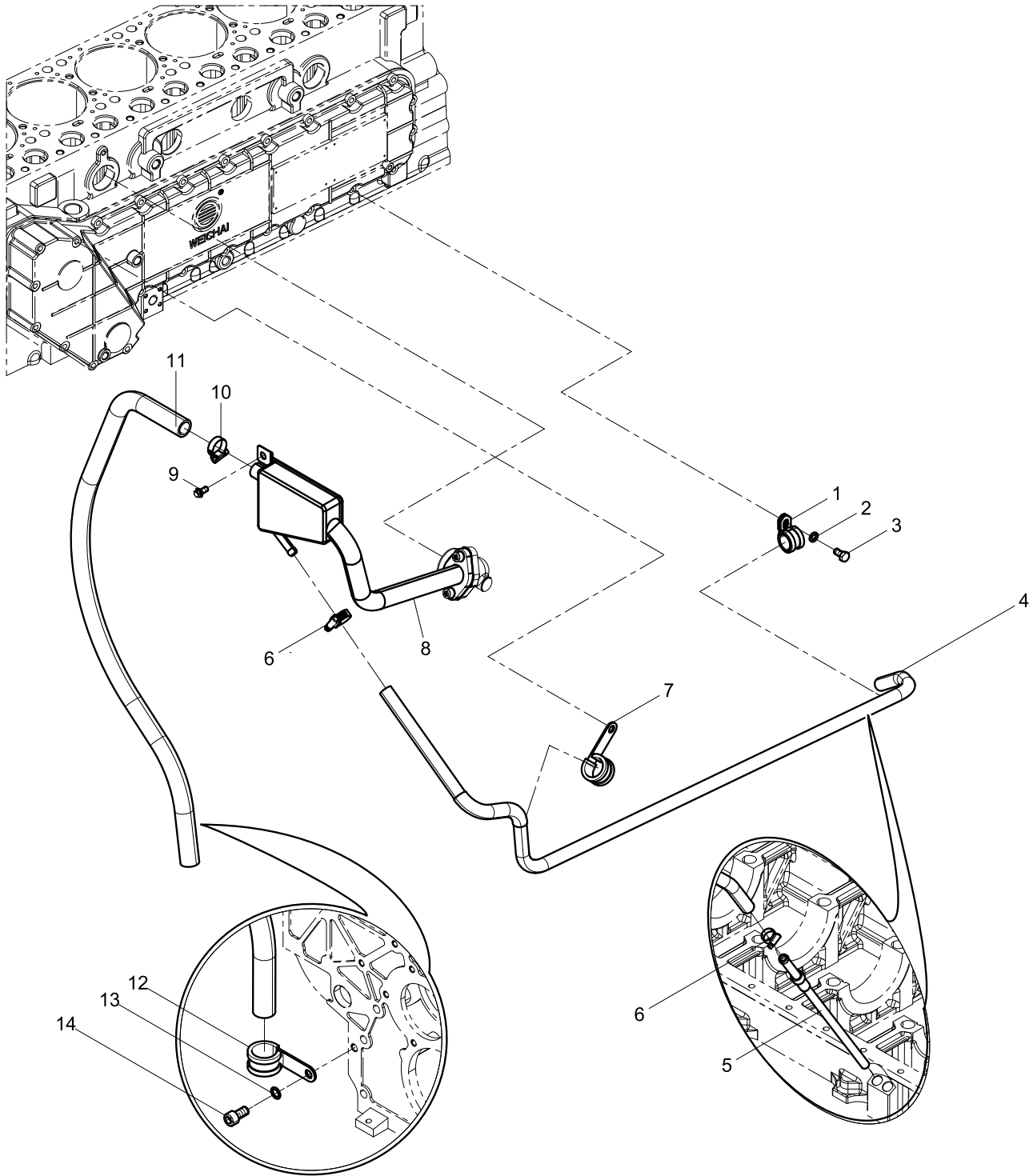
Oil Filter



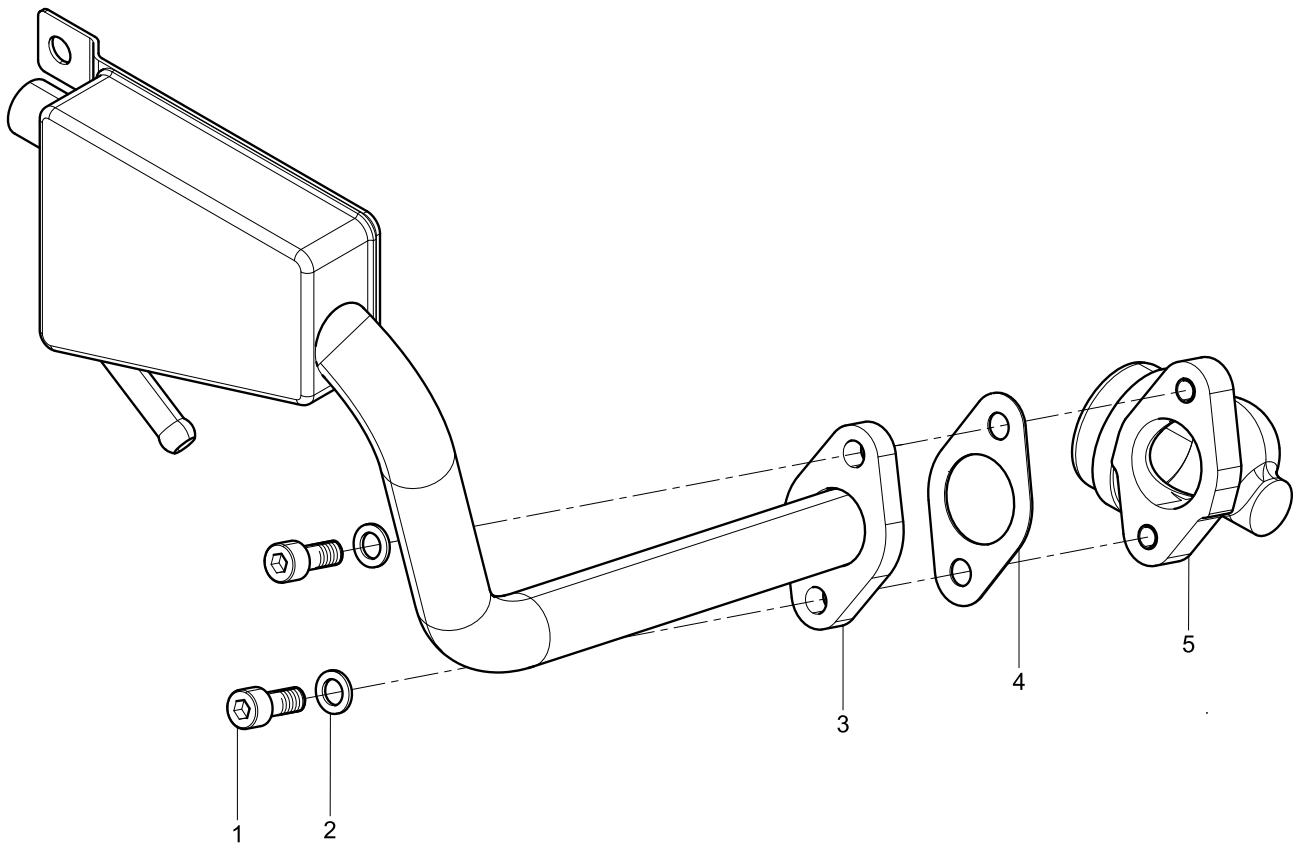
Oil Filling Tube Group



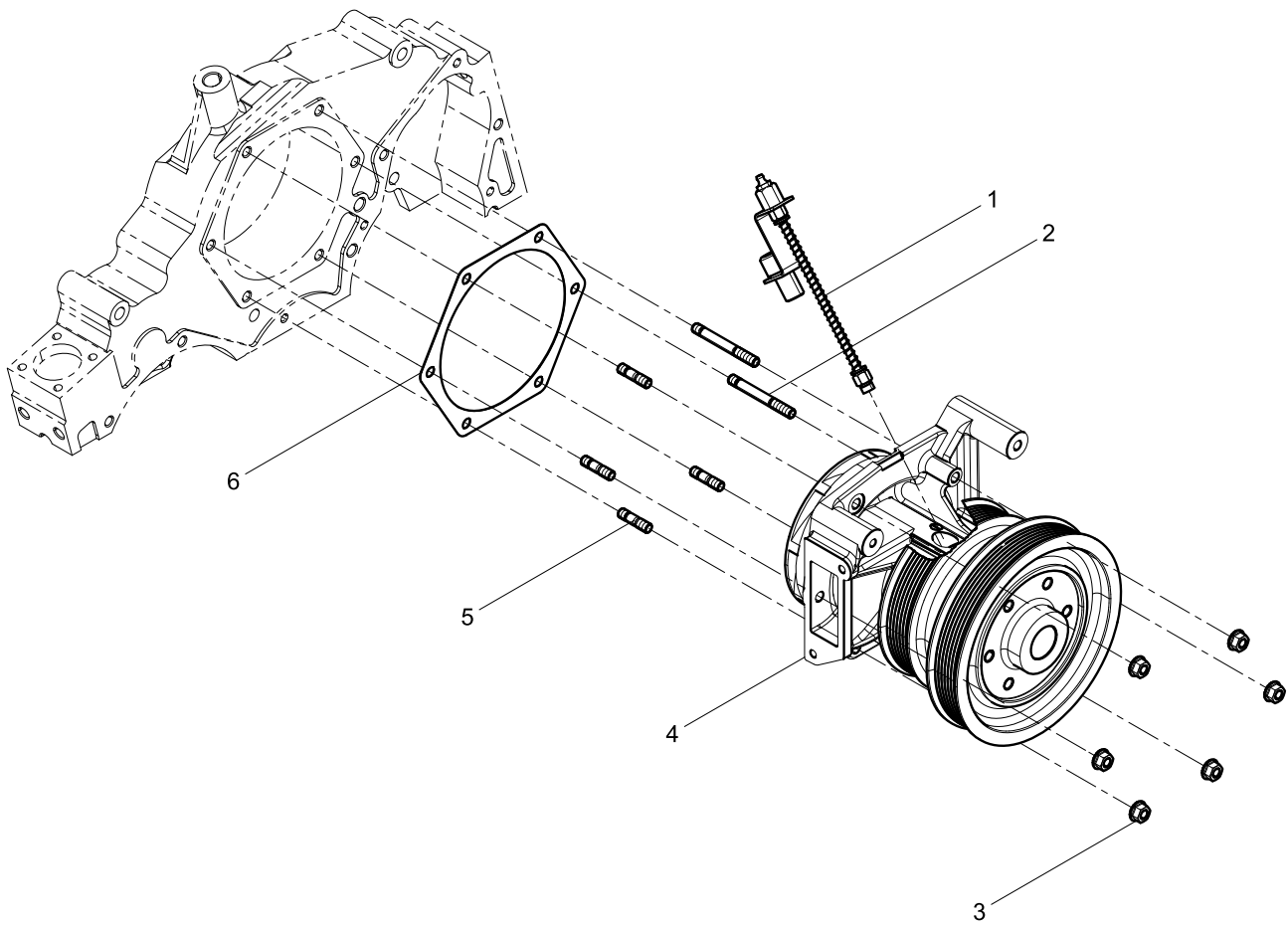
Oil-gas Separator Group



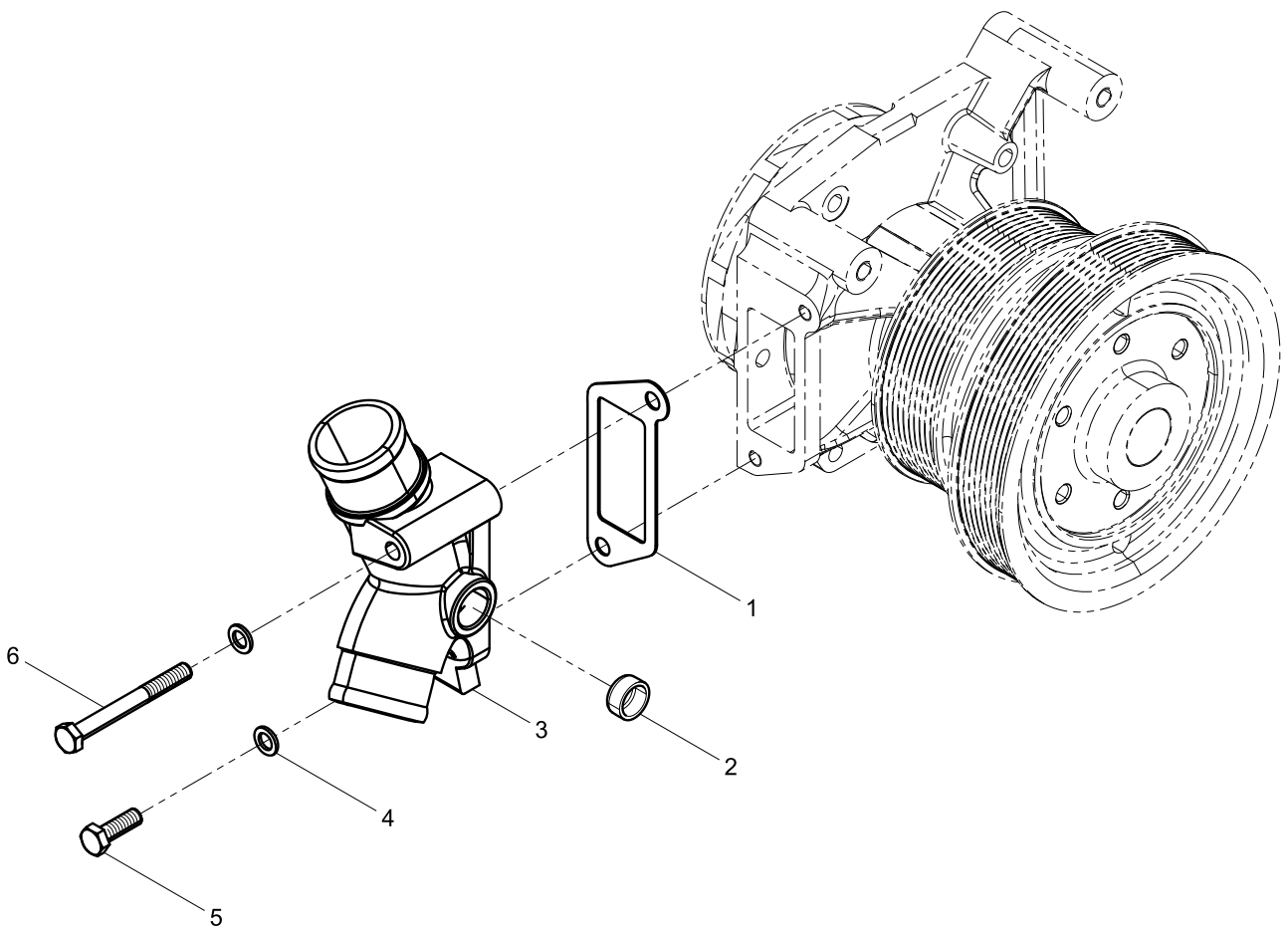
Oil-gas Separator Assembly



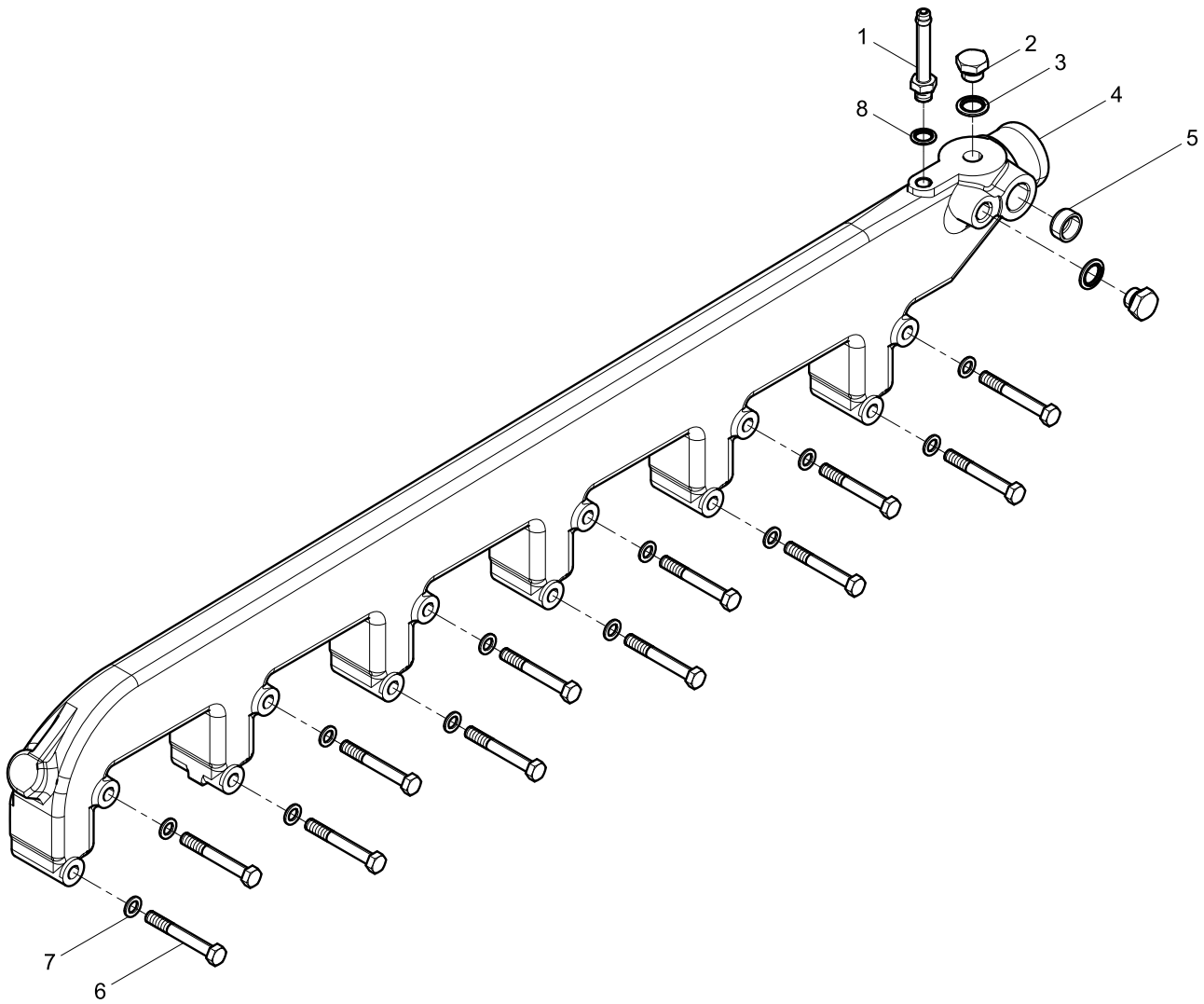
Water Pump Group



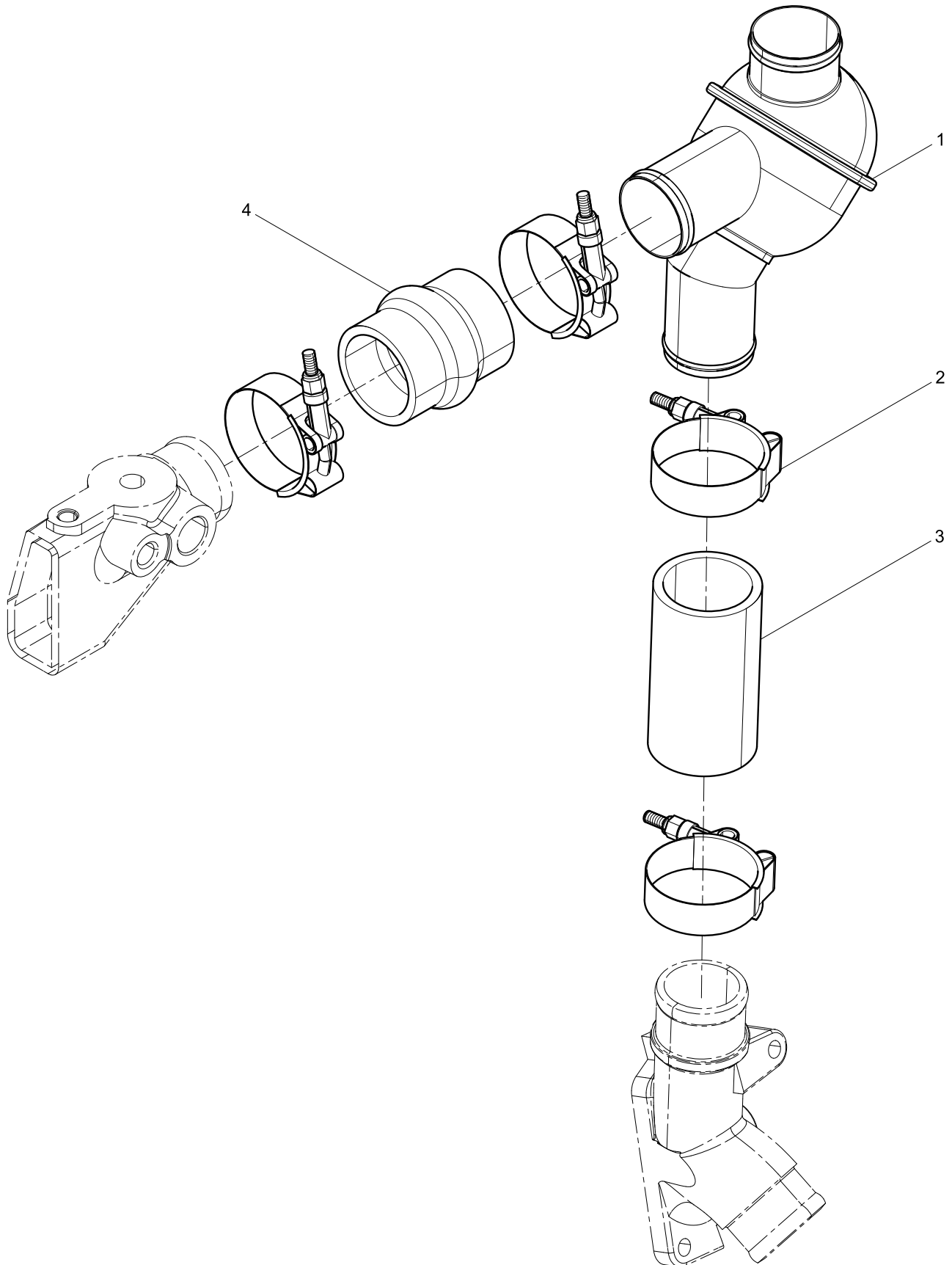
Water Pipe Connector Group



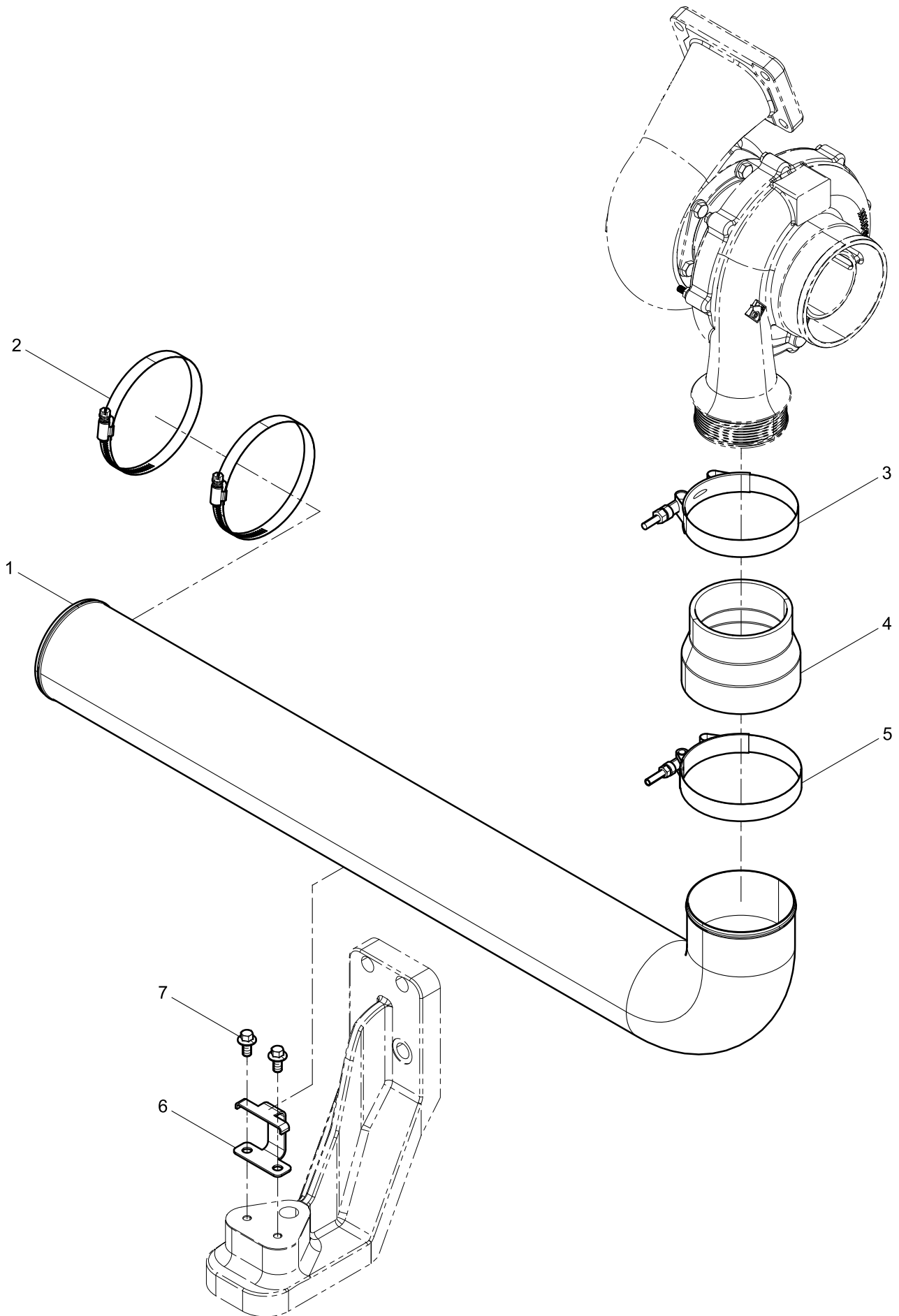
Water Outlet Pipe Group



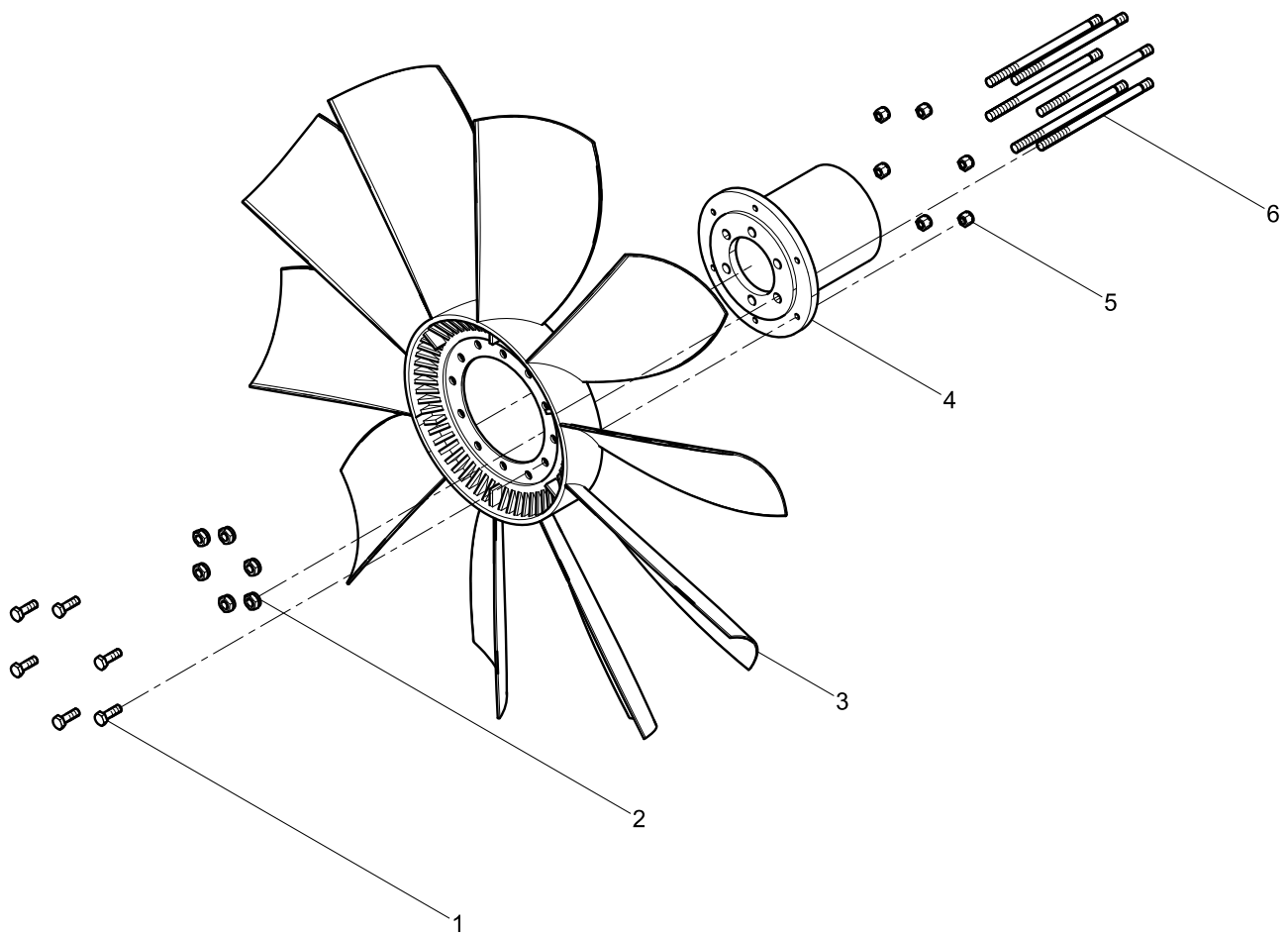
Thermostat Group



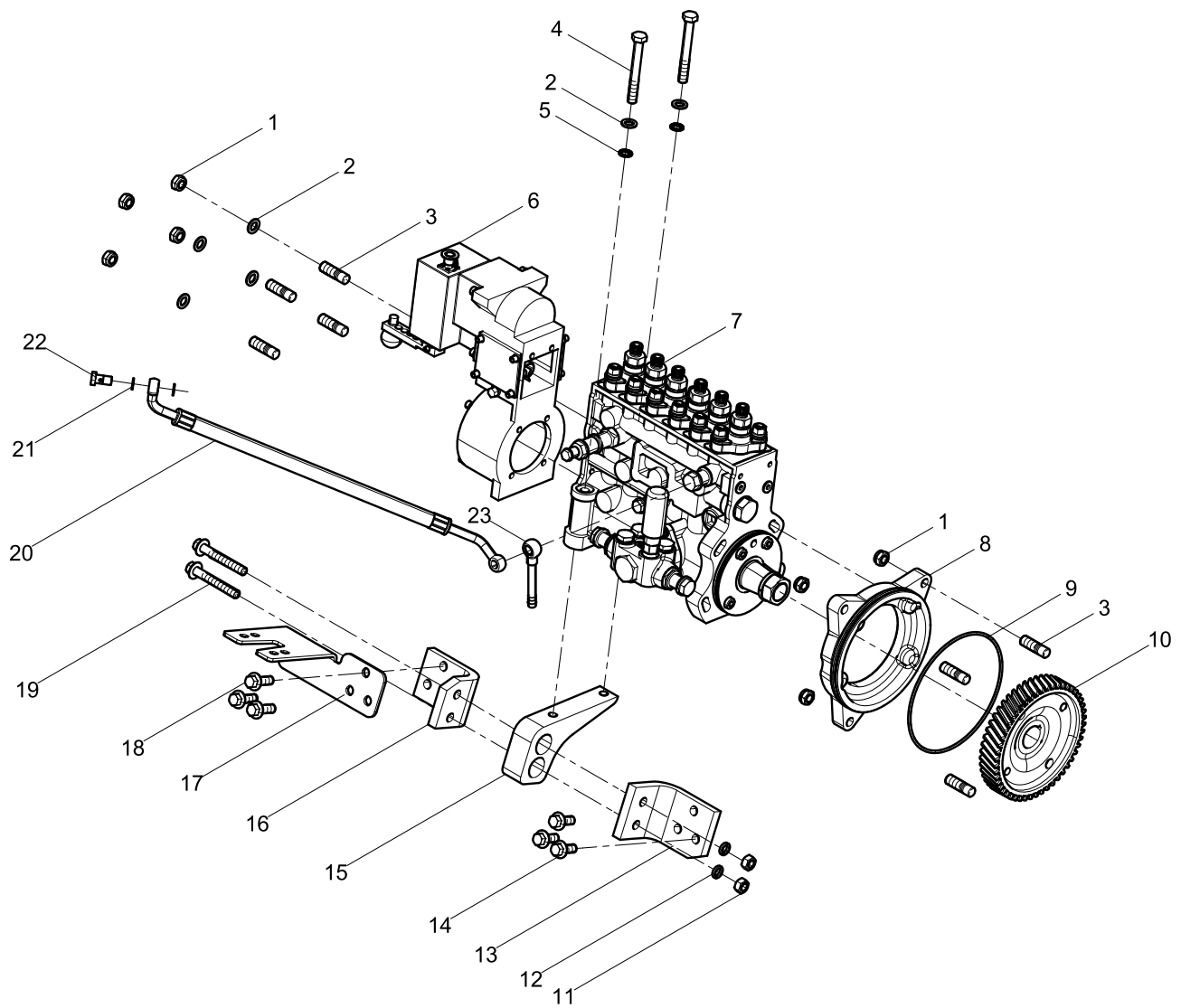
Intercooler Group



Fan and Hub Group



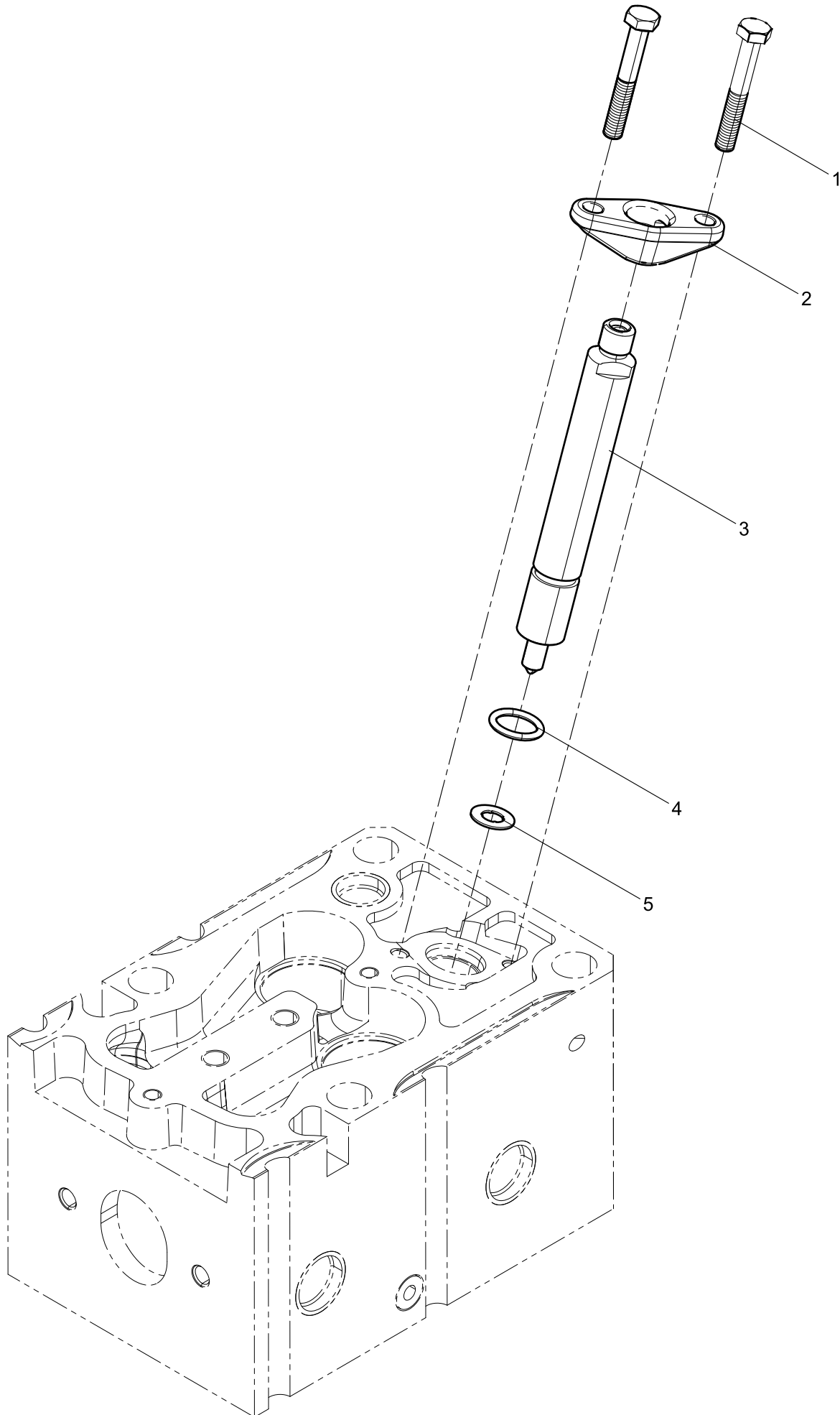
Fuel Injection Pump Group



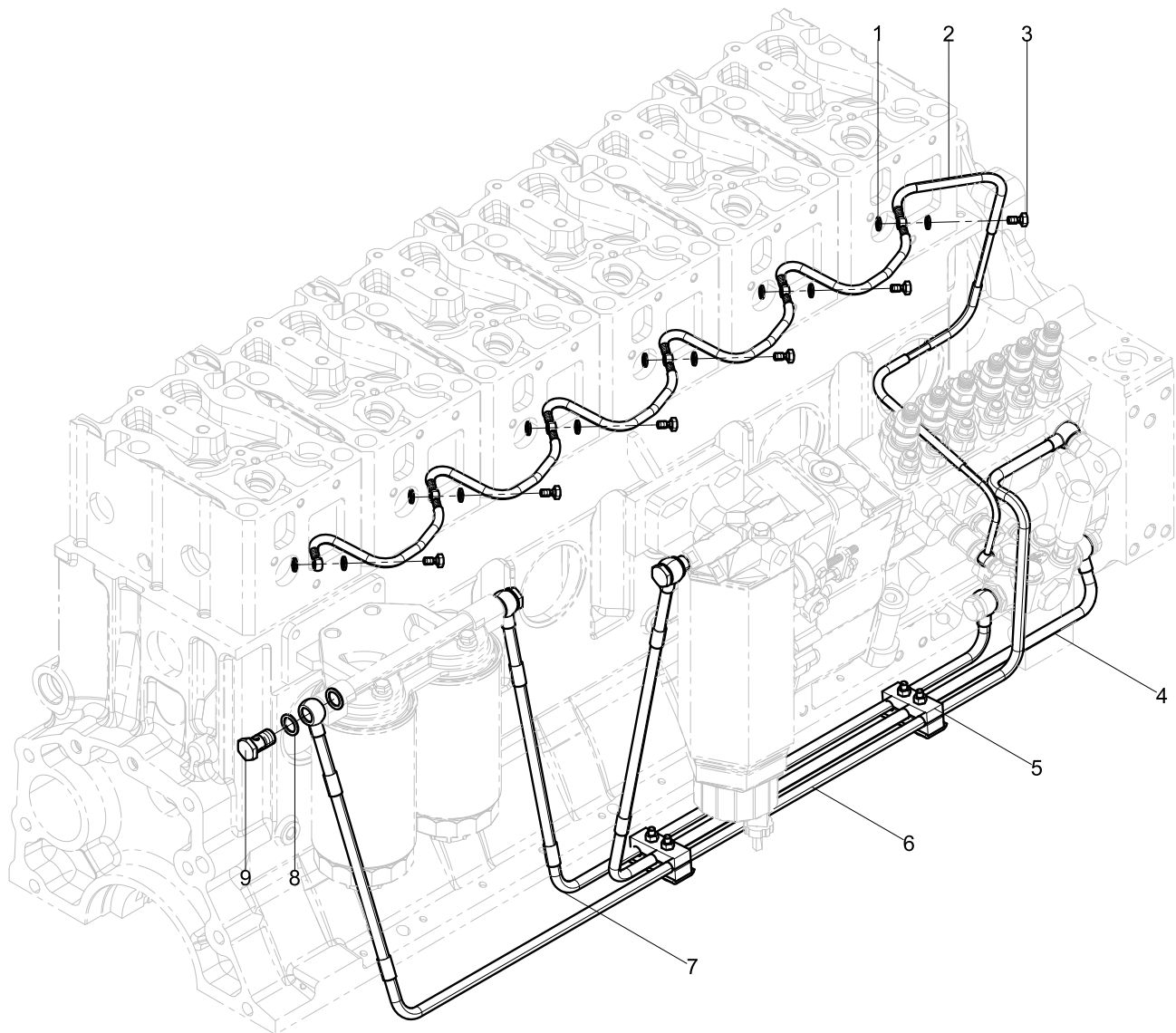
Fuel Injection Pump Group

| Pos. | Teile.Number | Amount | Designation |
|------|--------------|--------|--|
| 1 | 90003888452 | 7 | Prevailing Torque Type All-metal Hexagon Nut, |
| 2 | 90014040008 | 6 | Plain Washer |
| 3 | 90003813532S | 7 | Double End Stud |
| 4 | 90003800579 | 2 | Hexagon Head Bolt |
| 5 | 18872339 | 2 | Washer |
| 6 | 1000942671 | 1 | Electromagnetic Actuator |
| 7 | 1000943136 | 1 | Fuel Injection Pump Assembly |
| 8 | 612600083244 | 1 | Fuel Injection Pump Flange |
| 9 | 612600083245 | 1 | Seal Ring |
| 10 | 612600081529 | 1 | Fuel Injection Pump Gear |
| 11 | 90003871305 | 2 | Hexagon Nuts, Style 1 |
| 12 | 90003931122 | 2 | Spring Washer |
| 13 | 612600080682 | 1 | Fuel Injection Pump Bracket |
| 14 | 90011430008 | 3 | Hexagon Flange with Tooth Bolt |
| 15 | 612600080363 | 1 | Fuel Injection Pump Bracket |
| 16 | 612600080364 | 1 | Fuel Injection Pump Bracket |
| 17 | 612600082684 | 1 | Fuel Pipe Bracket |
| 18 | 90011430017 | 3 | Hexagon Flange with Tooth Bolt |
| 19 | 90011430013 | 2 | Hexagon Flange with Tooth Bolt |
| 20 | 612600081470 | 1 | Fuel Injection Pump Oil Pipe Assembly |
| 21 | 612600080246 | 2 | Washer |
| 22 | 90003962607 | 1 | Hollow screw |
| 23 | 612600080172 | 1 | Pipe Joint |
| | | | |
| | | | |
| | | | |
| | | | |

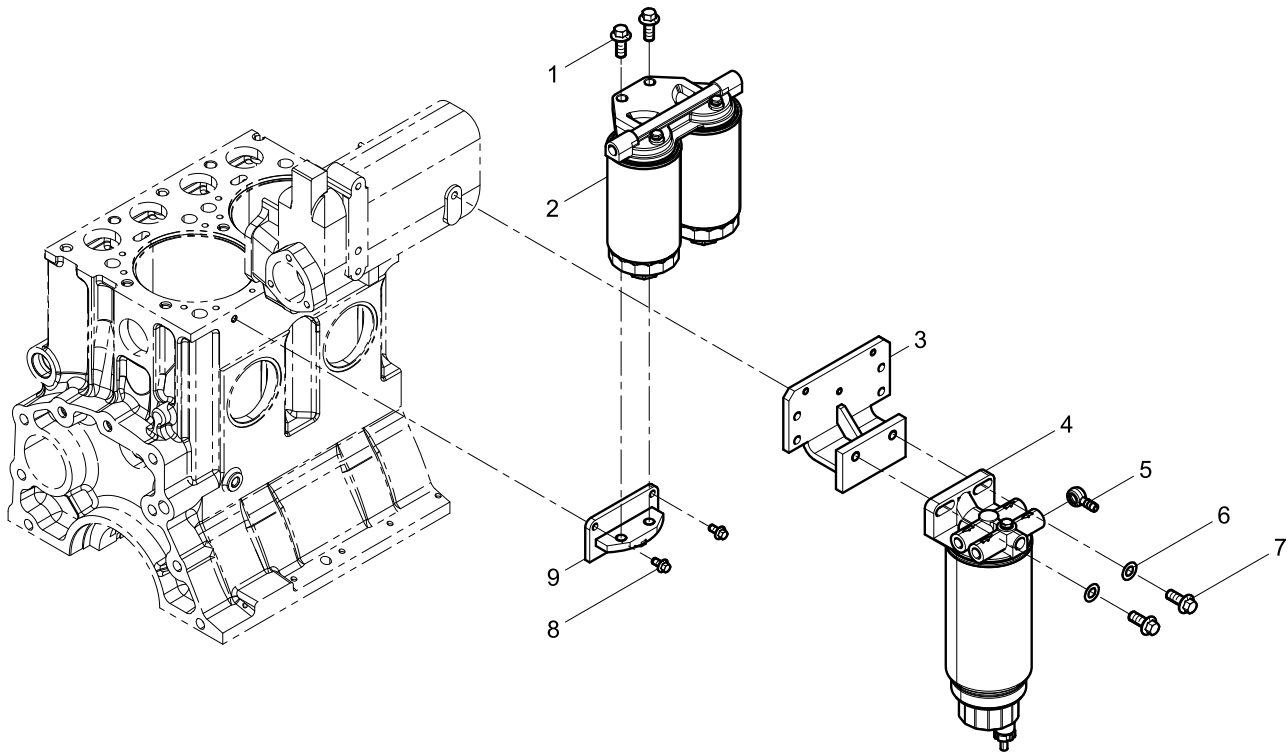
Fuel Injector Group



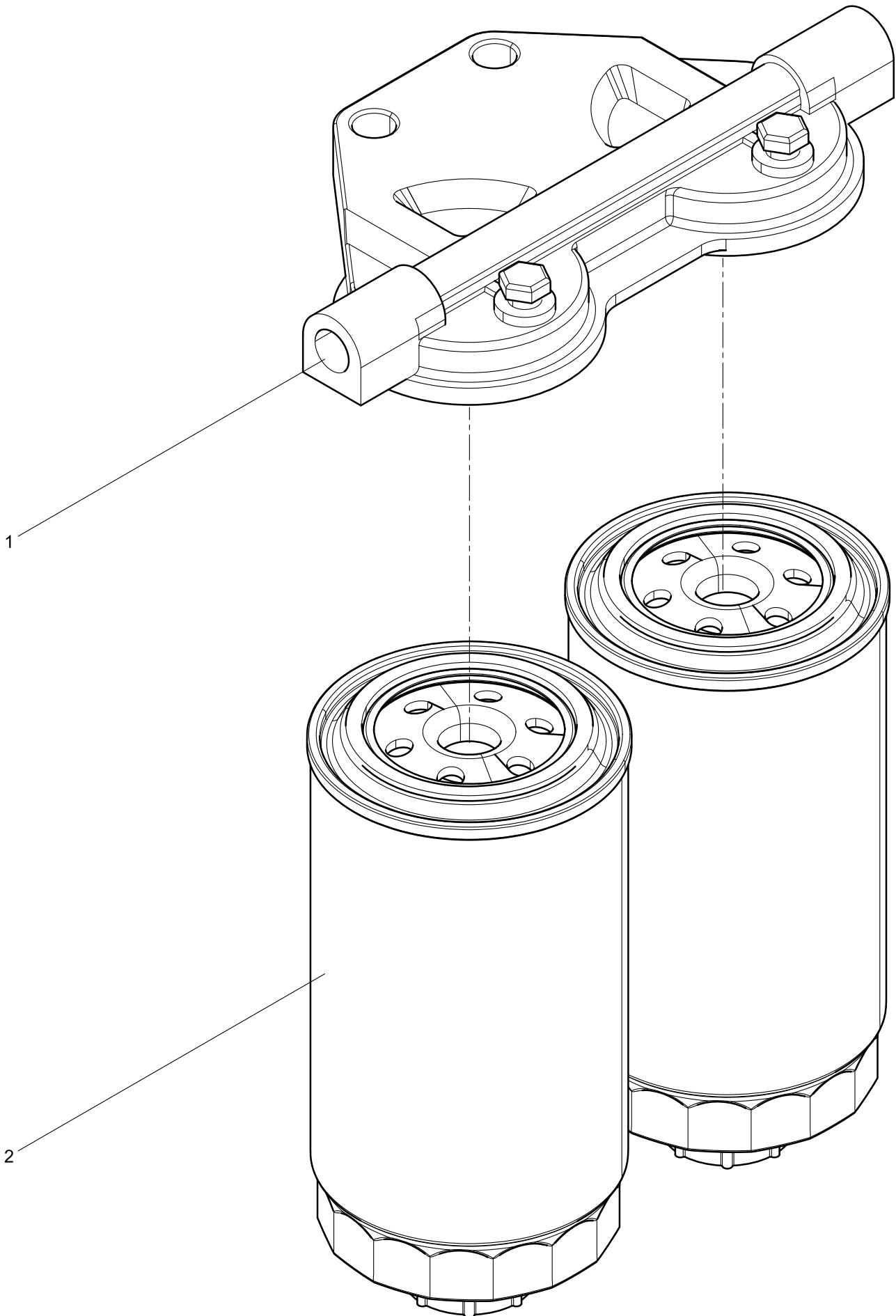
Low Pressure Fuel Pipe Group



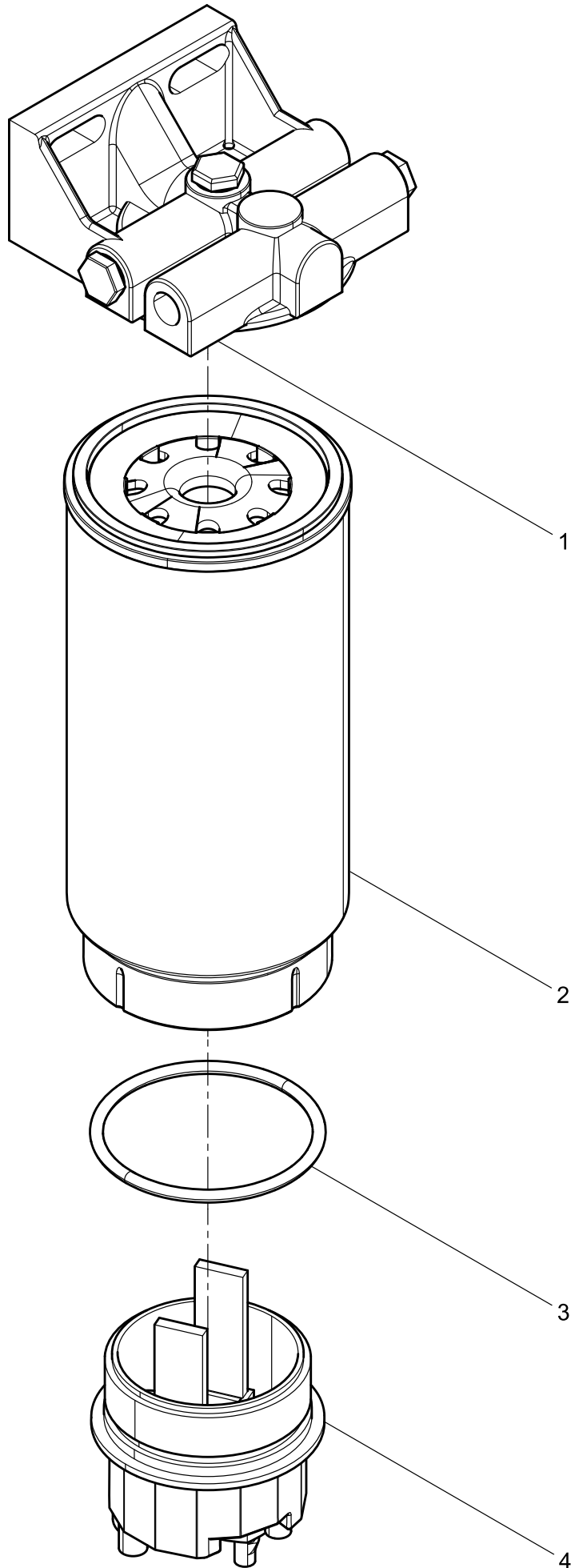
Fuel Filter Group



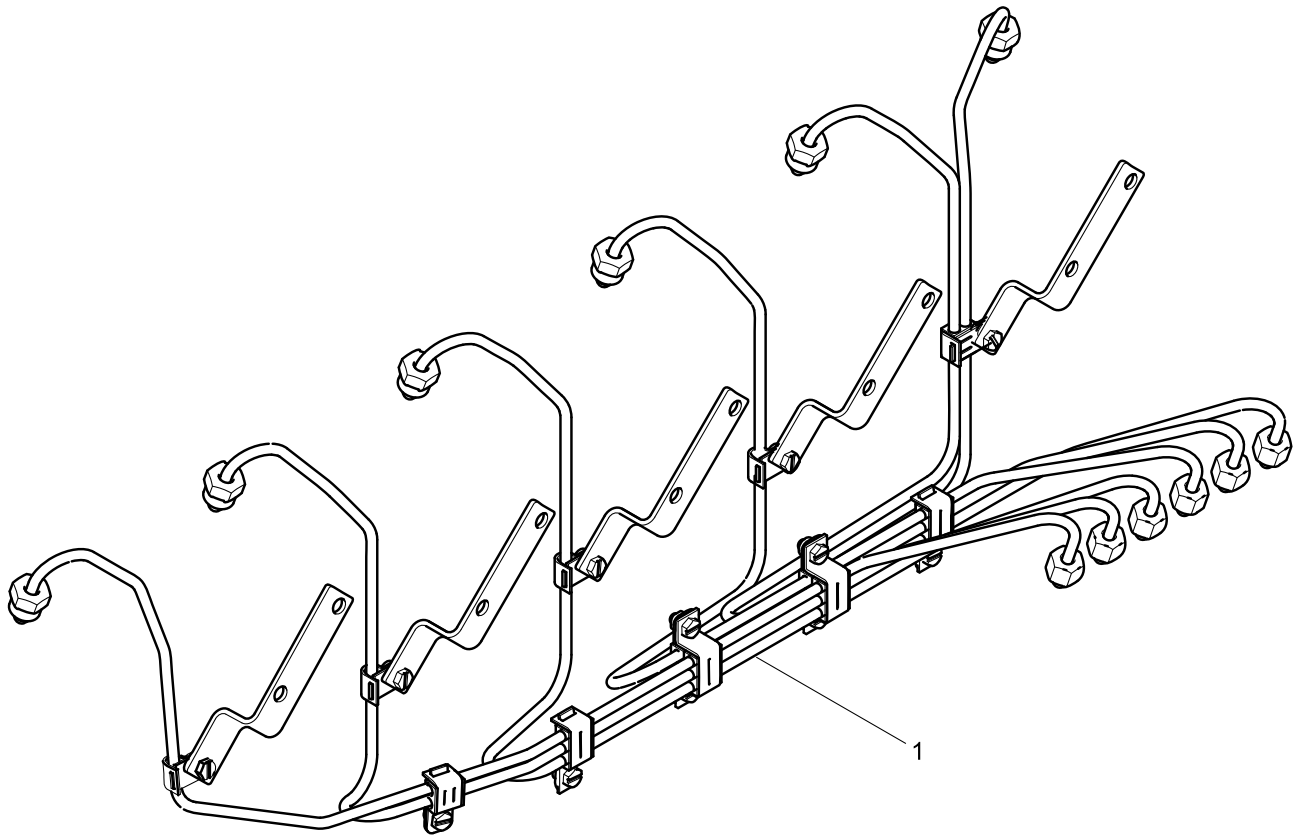
Fuel Filter



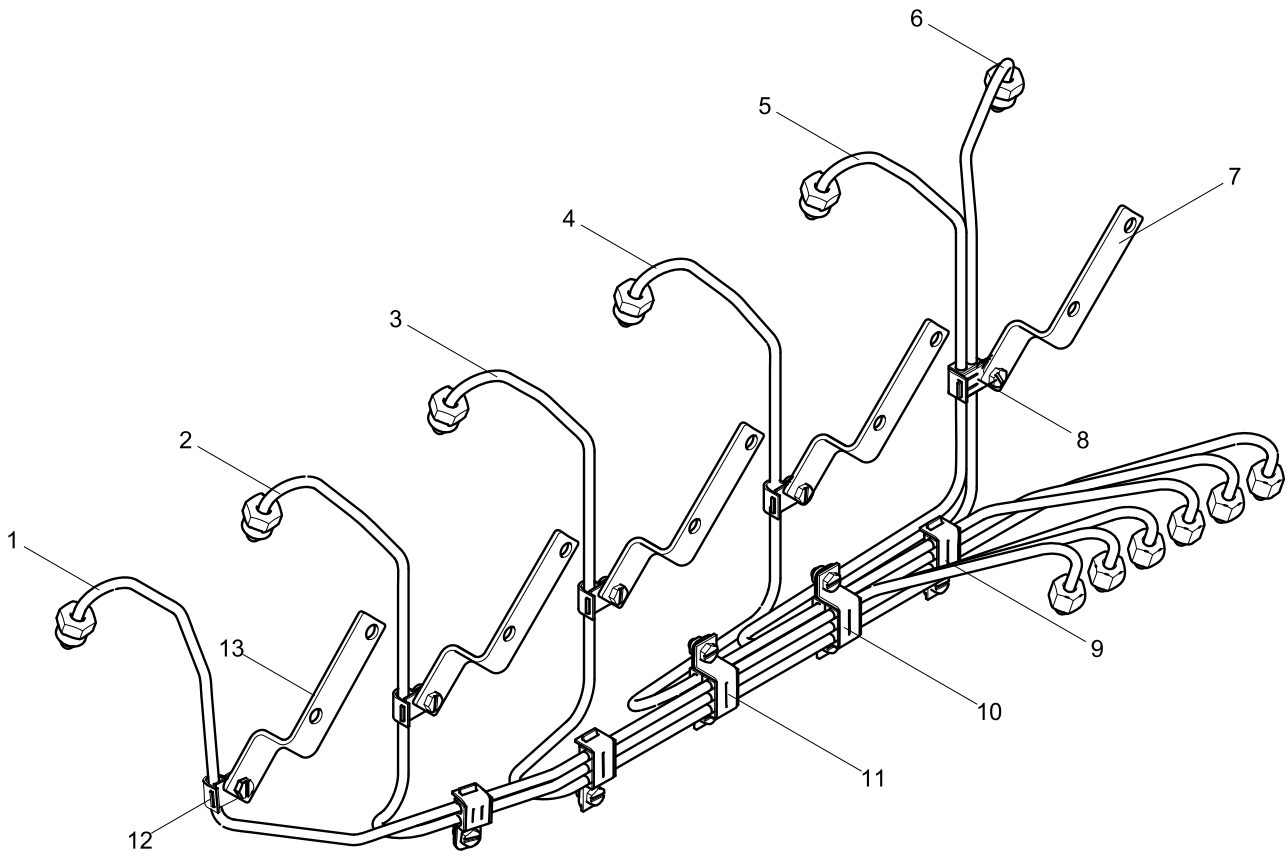
Fuel Coarse Filter



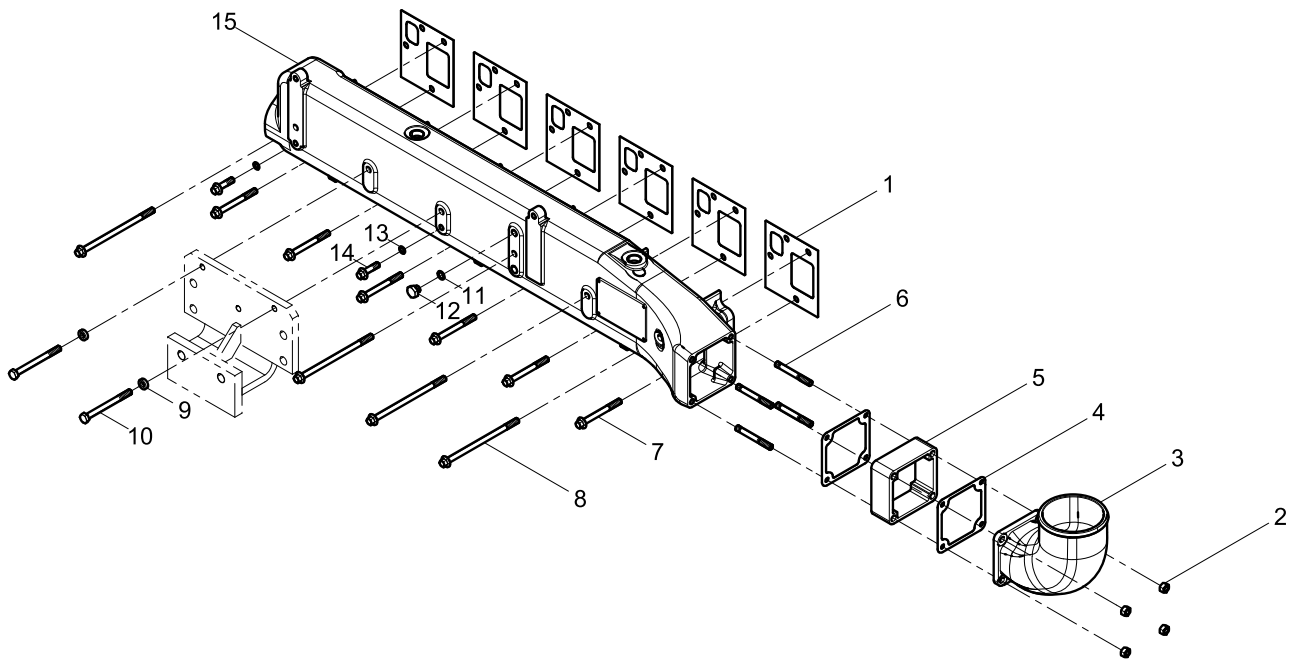
High Pressure Fuel Pipe Group



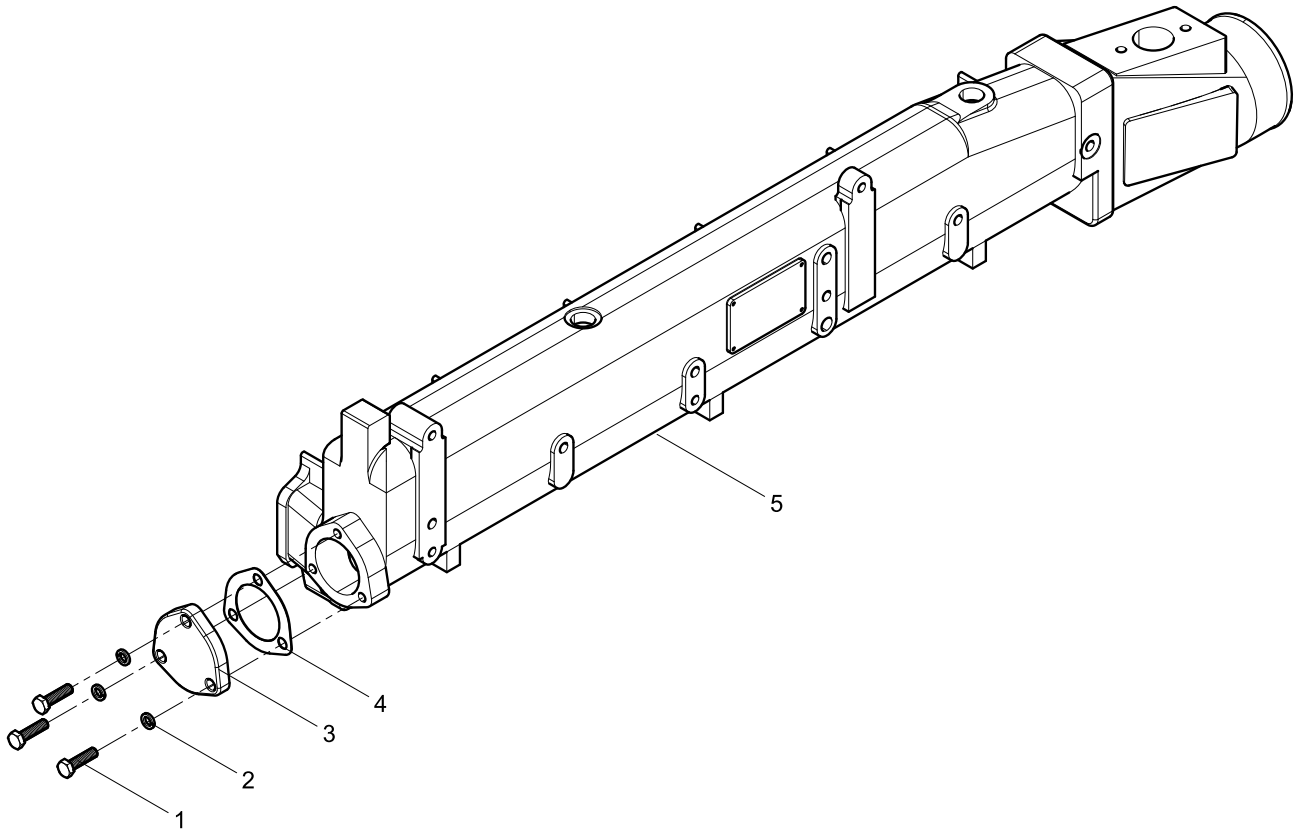
High-pressure Fuel Pipe Assembly



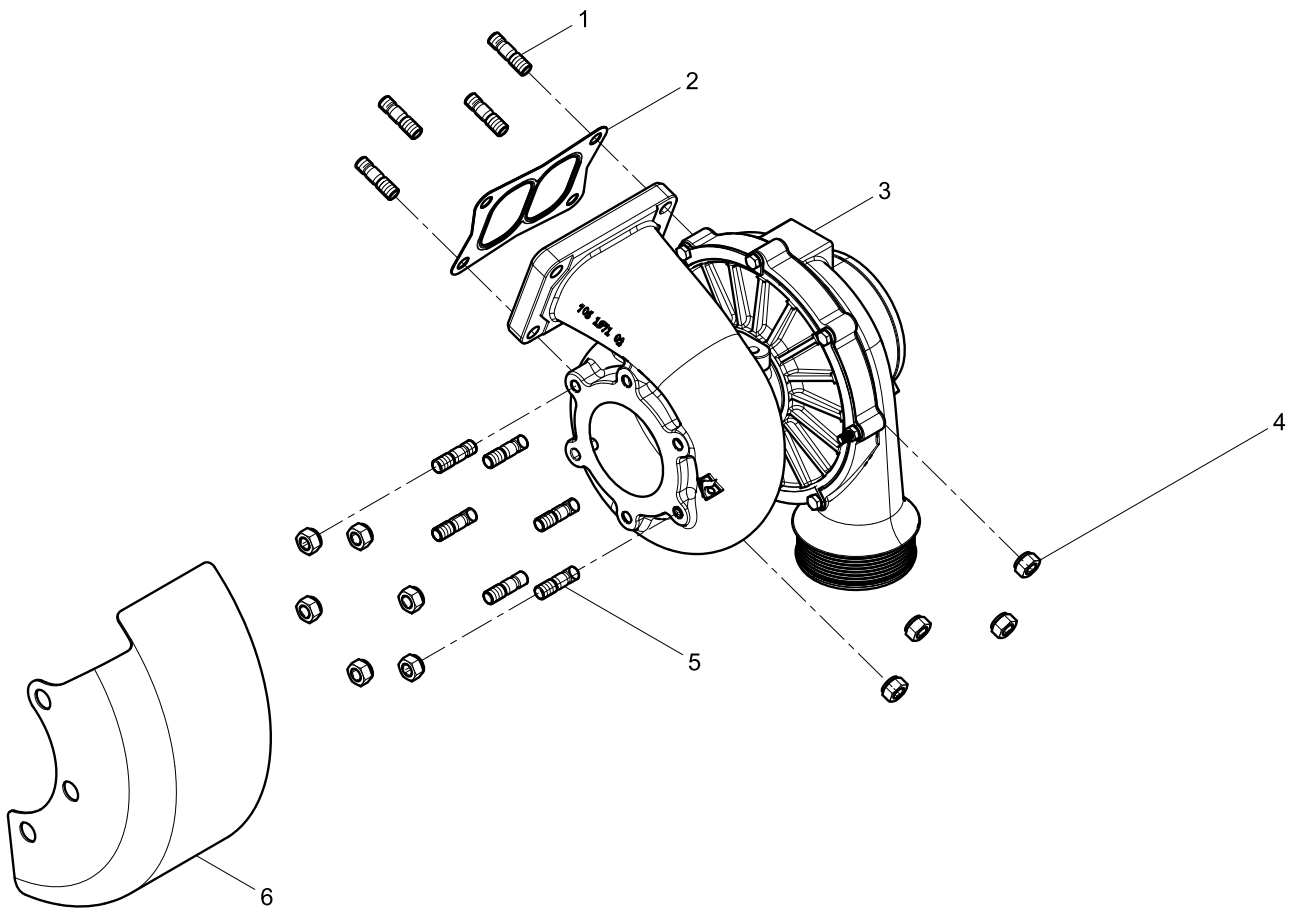
Intake Manifold Group



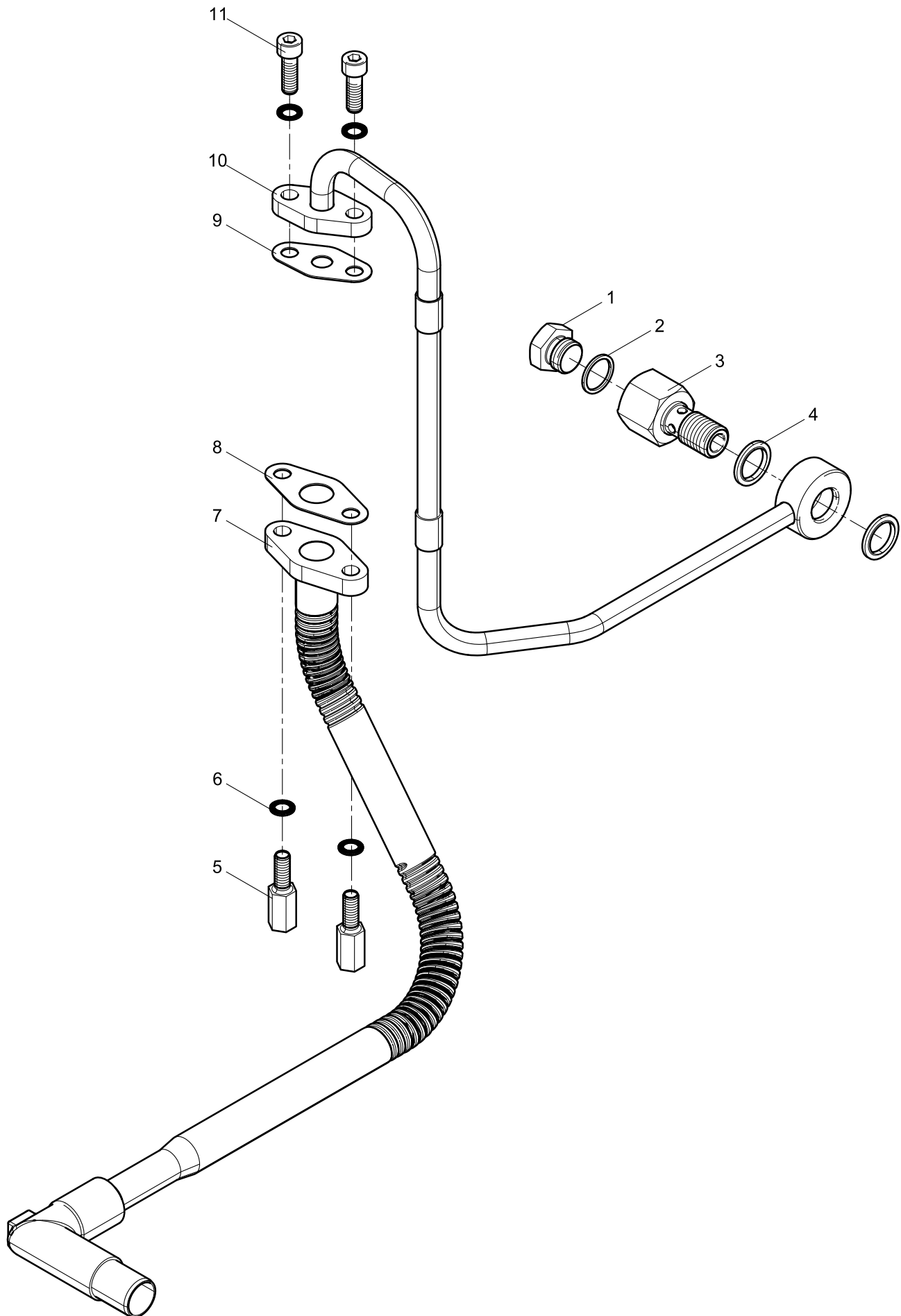
Intake Manifold Assembly



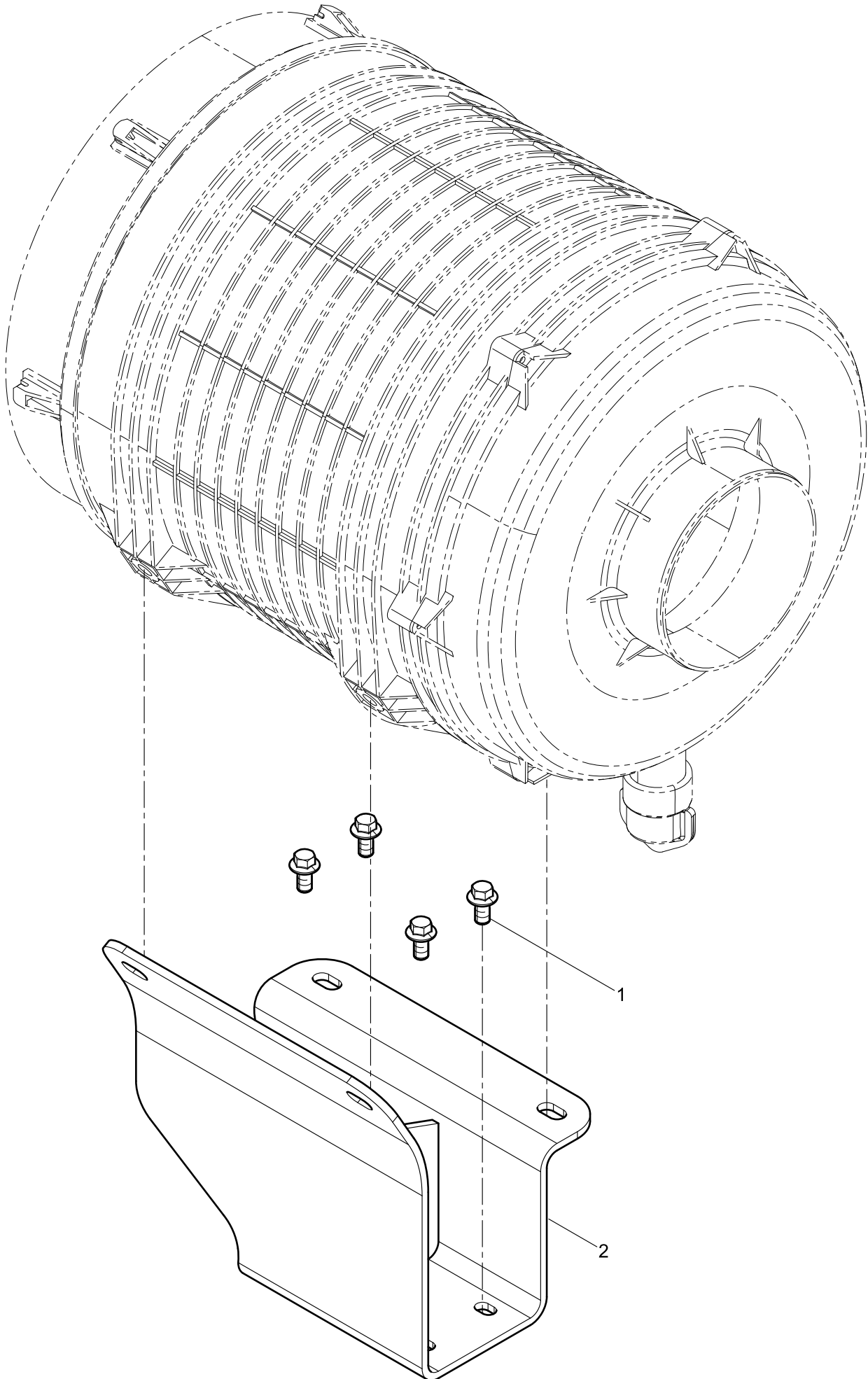
Turbocharger Group



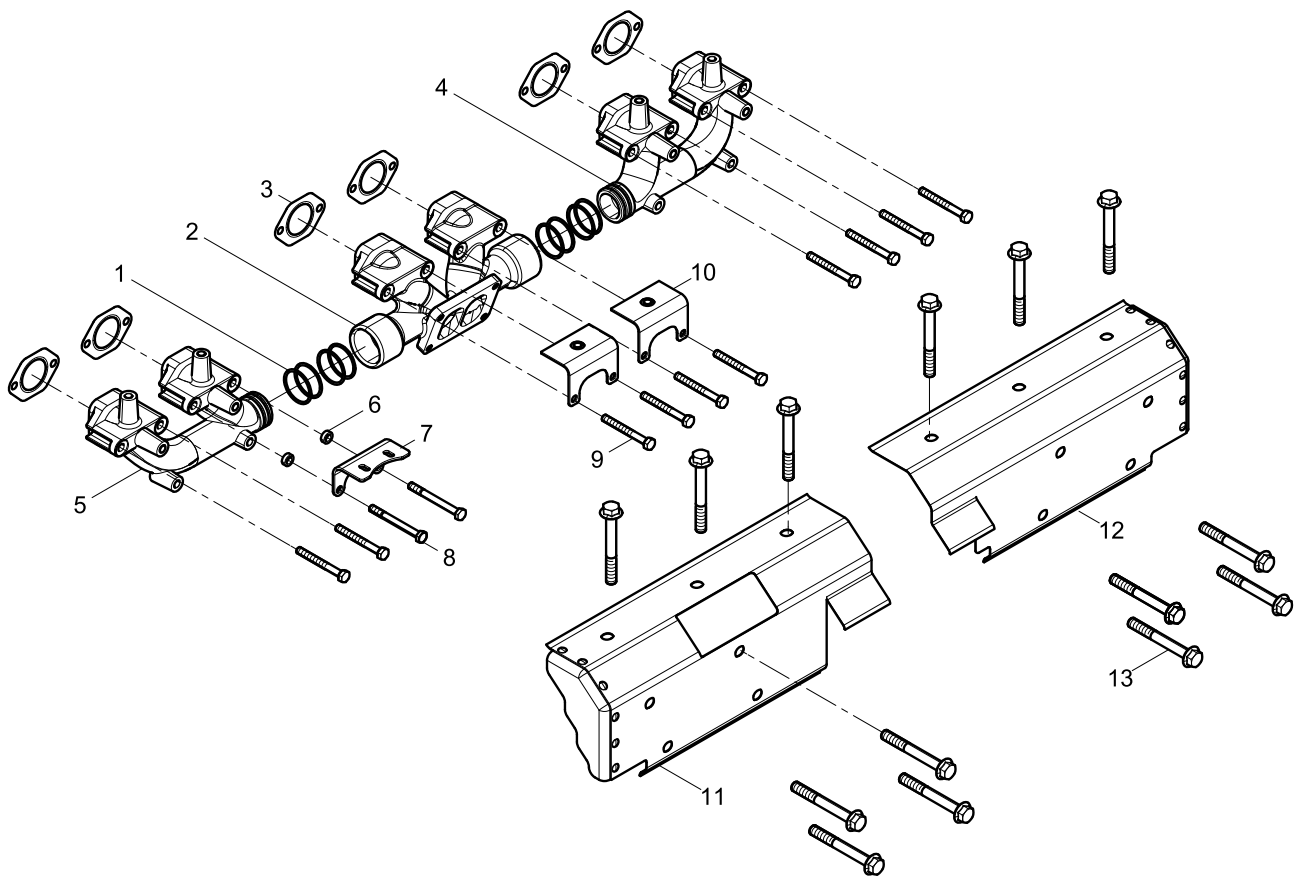
Turbocharger Oil Pipe Group



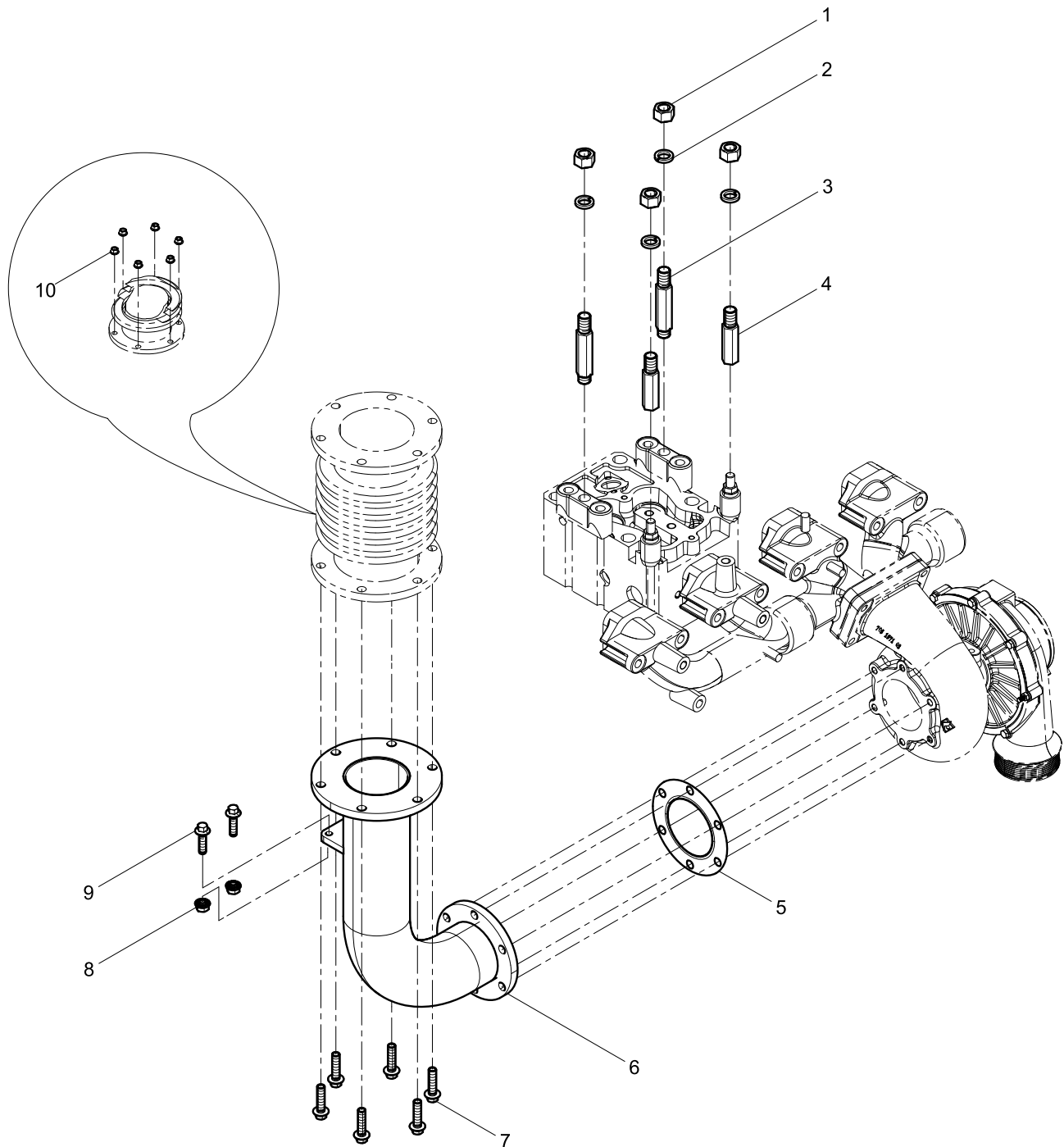
Air Filter Group



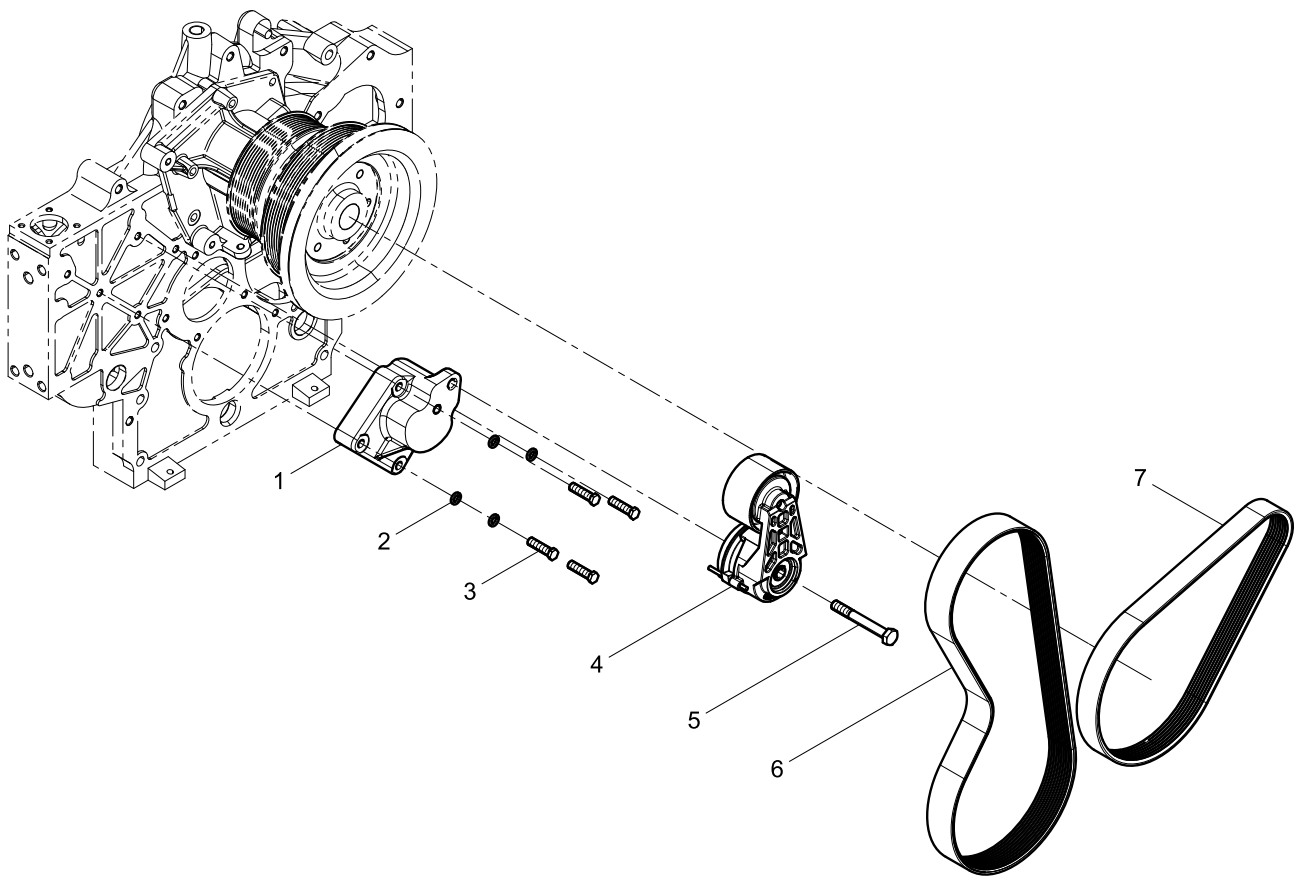
Exhaust Manifold Group



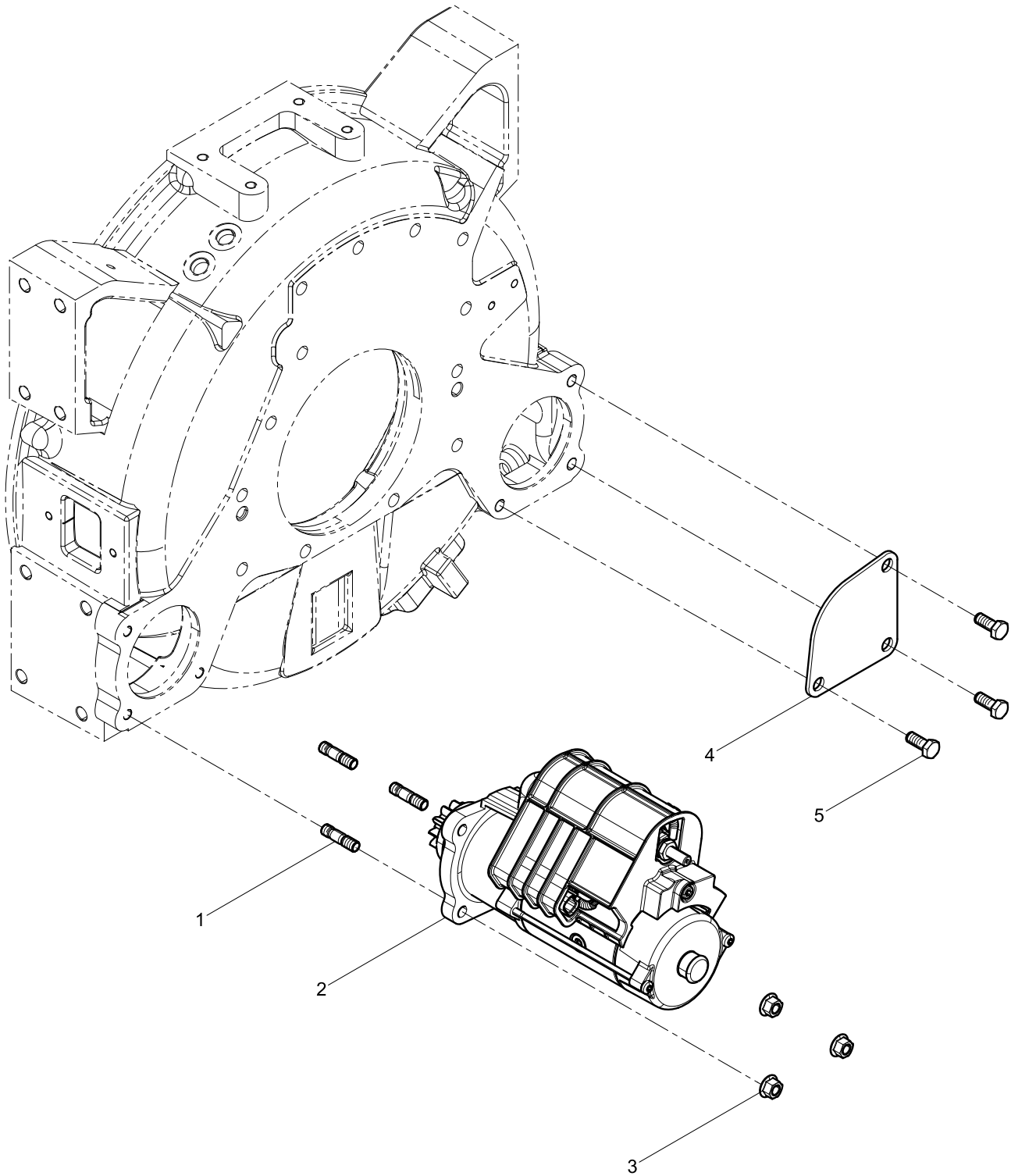
Rear Exhaust Manifold Group



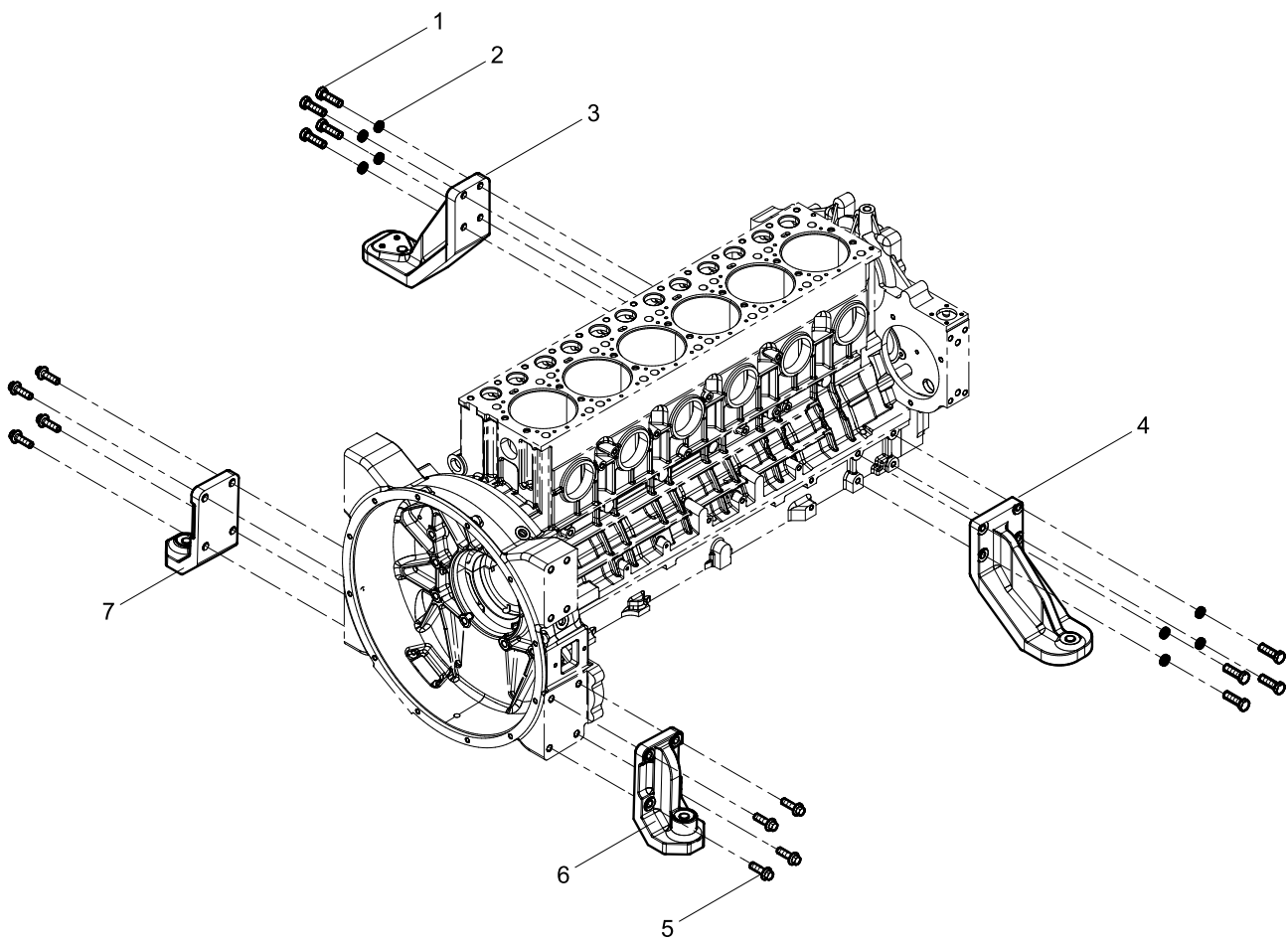
Tensioner And Belt Group



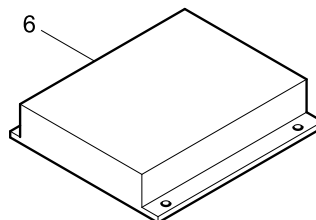
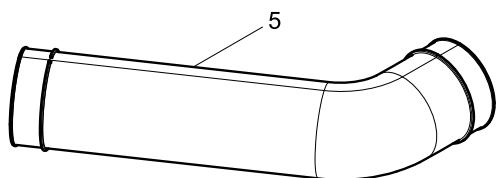
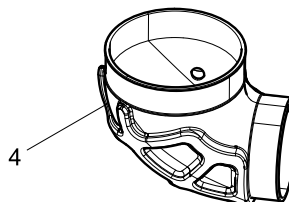
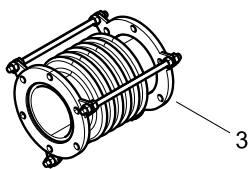
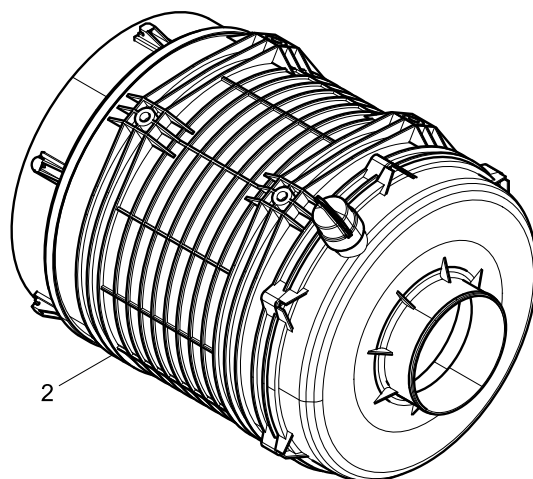
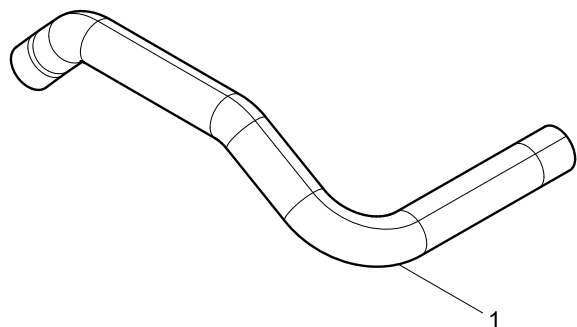
Starter Motor Group



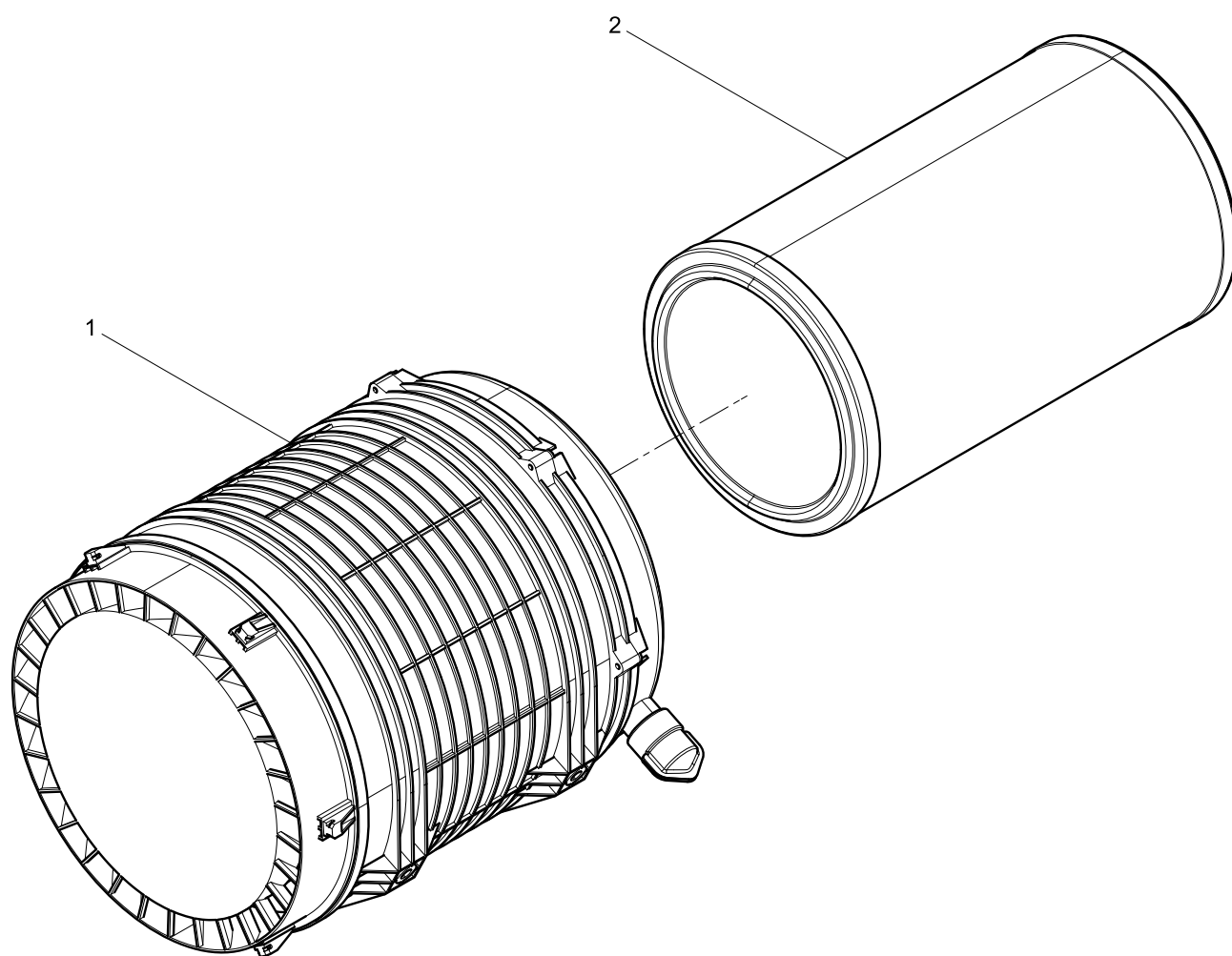
Engine Bracket Group



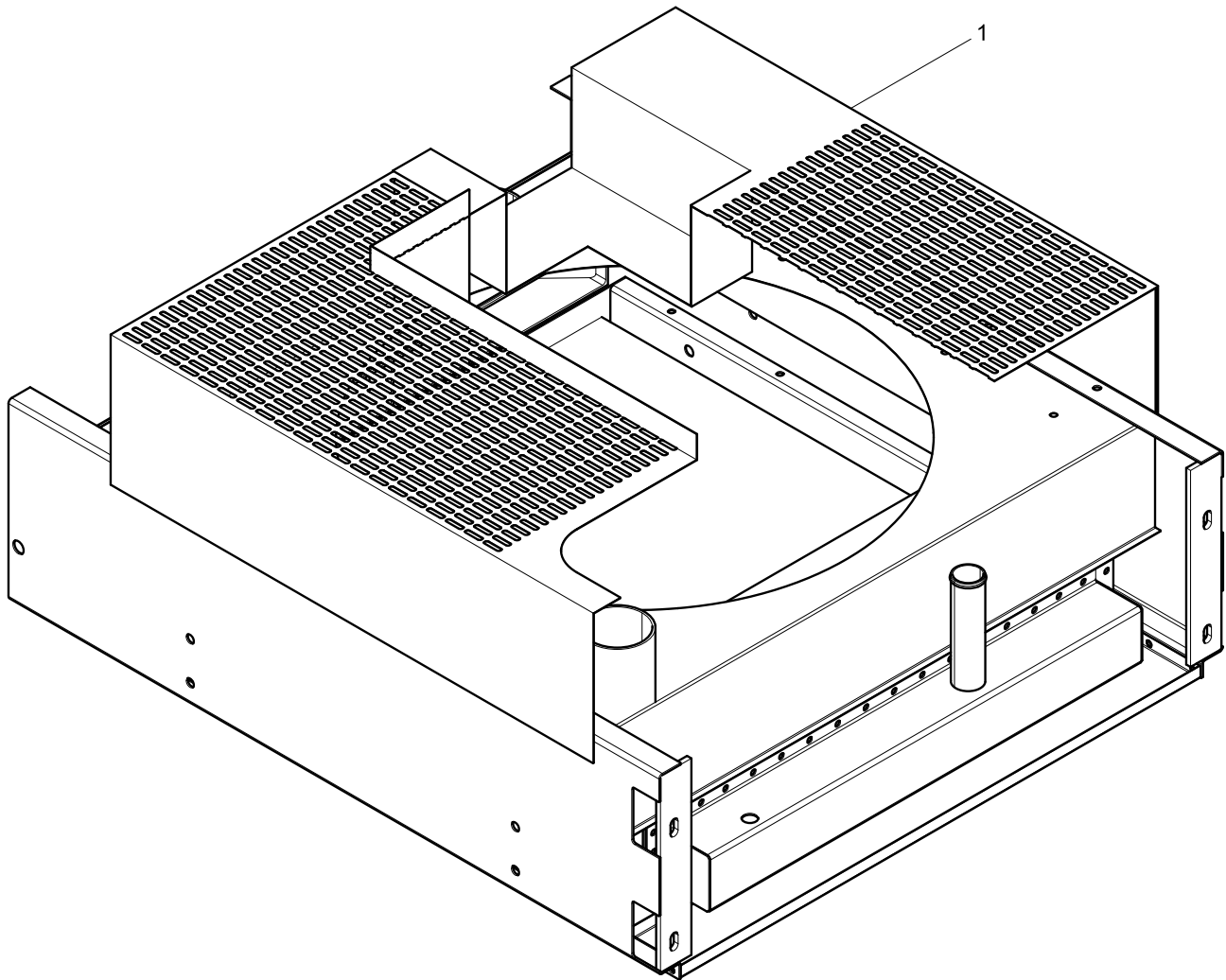
Packing Box Chassis Parts Group



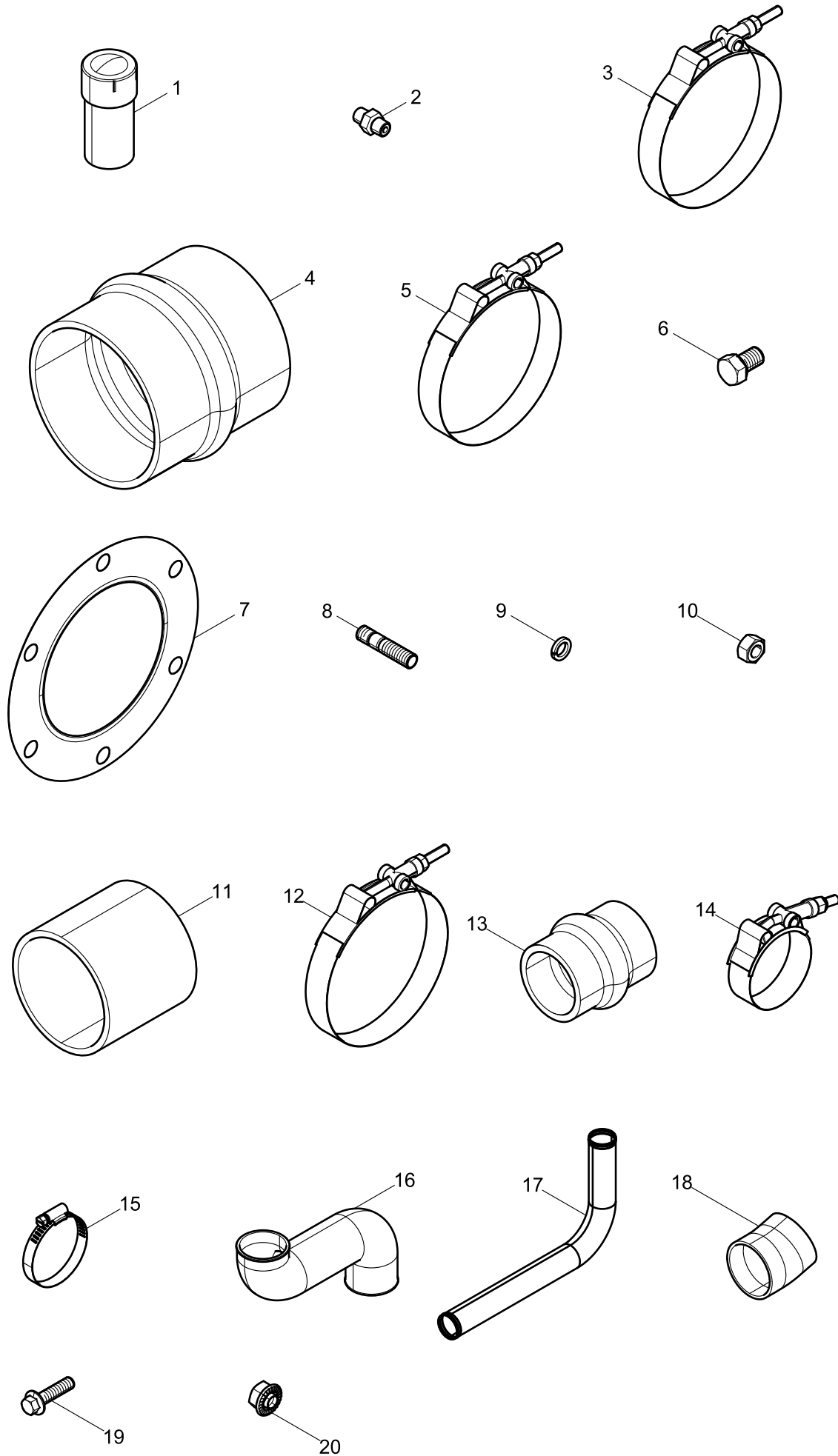
Air Filter



Separate Delivery Parts Group Attached to Engine



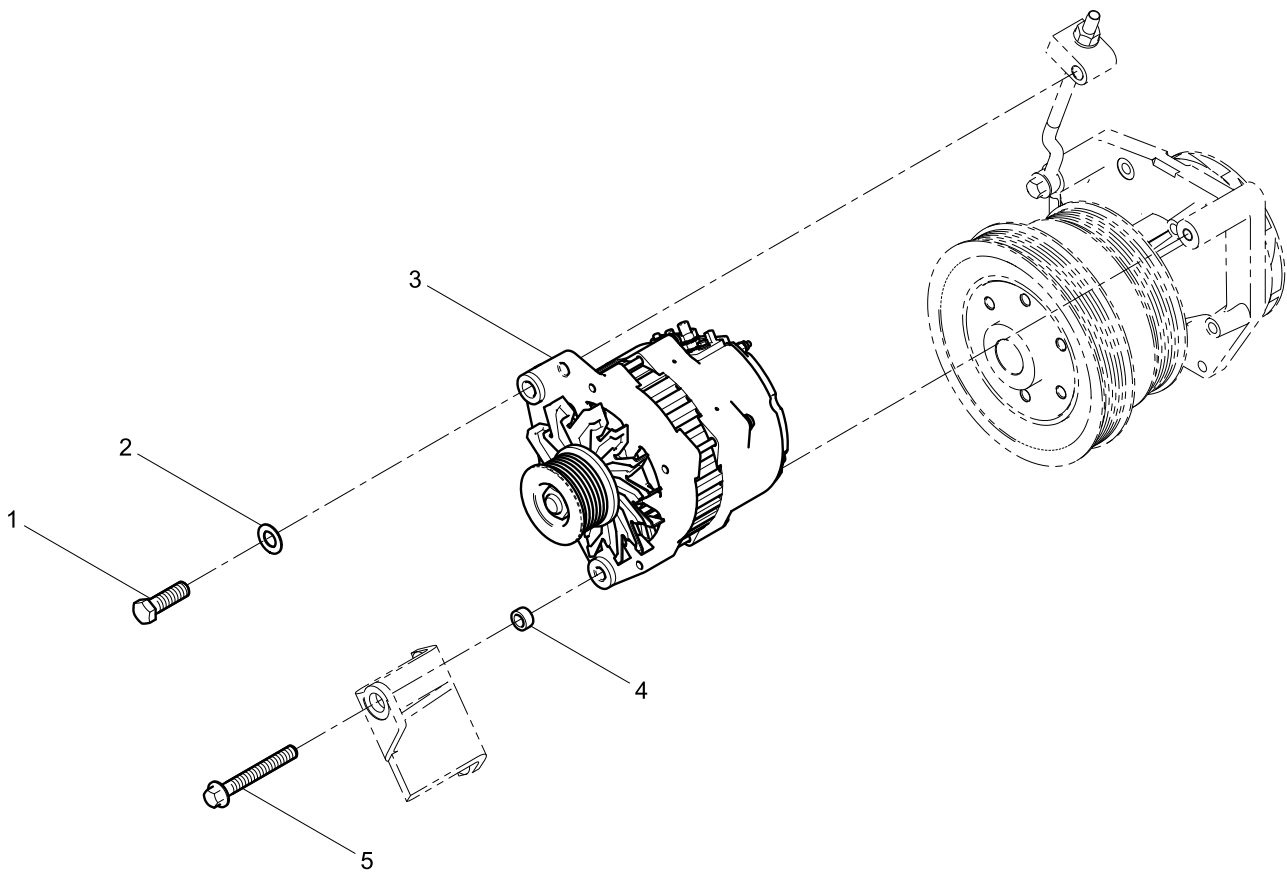
Parts Box Group



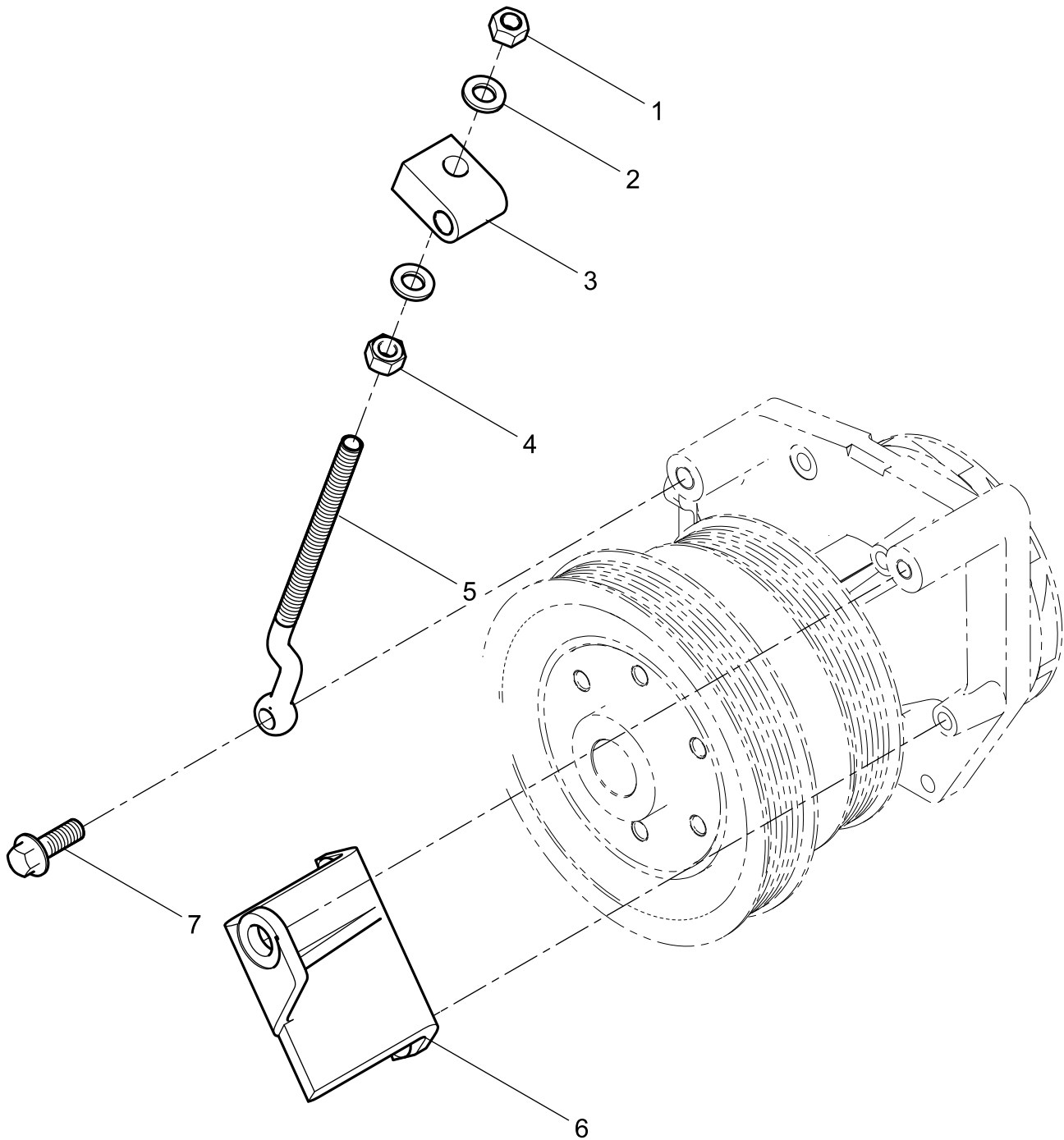
Parts Box Group

| Pos. | Teile.Number | Amount | Designation |
|------|--------------|--------|--|
| 1 | 1000644232 | 1 | Intake Resistance Alarm |
| 2 | 612600115282 | 1 | Transition joint |
| 3 | 612600113389 | 3 | Clamp |
| 4 | 612600114931 | 1 | Air Connecting Rubber Pipe |
| 5 | 612600114944 | 1 | Clamp |
| 6 | 612600110961 | 4 | Bolt |
| 7 | 612600114278 | 2 | Exhaust elbow gasket |
| 8 | 90003813537 | 12 | Double End Stud |
| 9 | 90003931122 | 12 | Spring Washer |
| 10 | 90003871305 | 12 | Hexagon Nuts, Style 1 |
| 11 | 612600113993 | 3 | Air Connecting Rubber Pipe |
| 12 | 612600113794 | 6 | Clamp |
| 13 | 612600060518 | 2 | Coolant Connecting Rubber Pipe |
| 14 | 612600160105 | 6 | Clamp |
| 15 | 90003989308 | 1 | Clamp |
| 16 | 612600120295 | 1 | Inter- cooler Air Pipe |
| 17 | 612600530074 | 1 | Water Pipe |
| 18 | 612600115535 | 2 | Air Connecting Rubber Pipe |
| 19 | 90011430032 | 6 | Hexagon Flange with Tooth Bolt |
| 20 | 612600061720 | 6 | Prevailing Torque Type Hexagon Nut with Flange |
| | | | |
| | | | |
| | | | |
| | | | |
| | | | |
| | | | |
| | | | |
| | | | |
| | | | |
| | | | |

Alternator Group



Alternator Bracket Group



This manual is for reference only,
product parameters are subject to alteration
without notice,
whichever is the physical product.